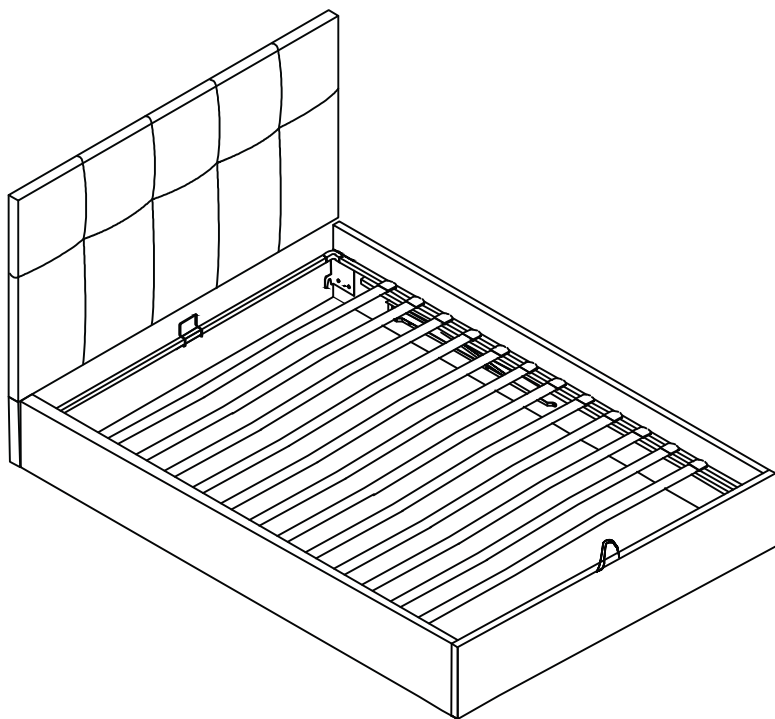
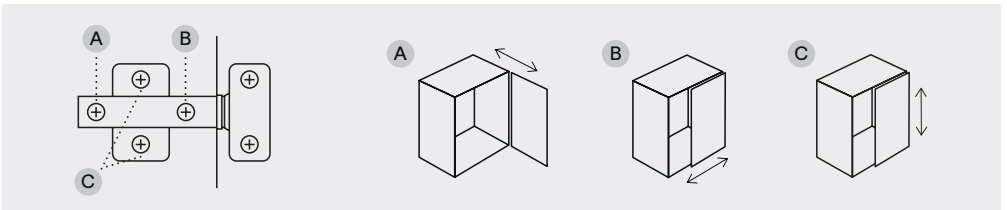
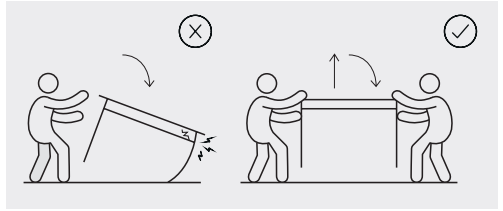
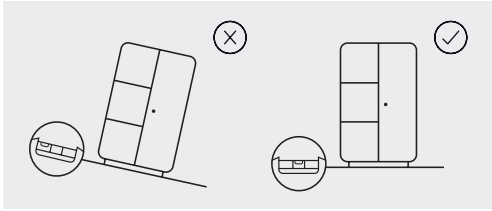
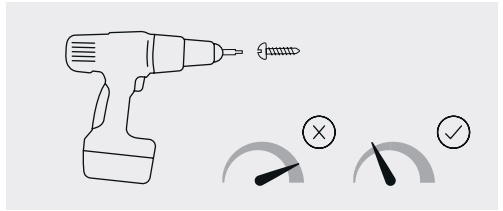
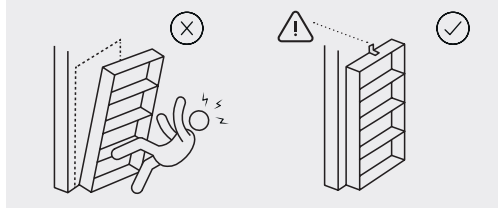
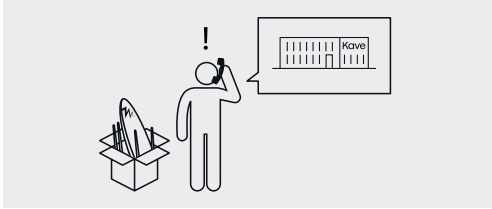
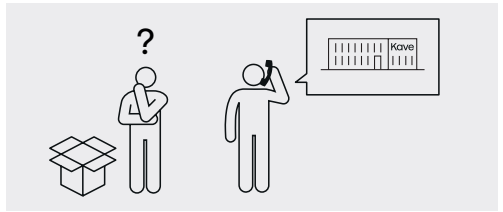


# Darnela



Kave

ED01





30 min



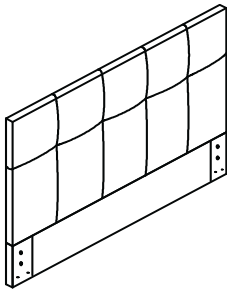
x2



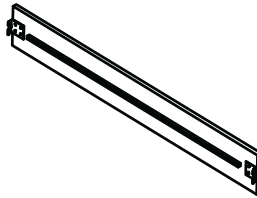
x2



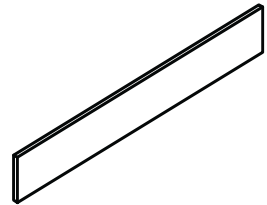
x1



**A x1**



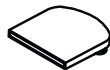
**B x2**



**C x1**



**D x1**  
ø320x20mm



**E x24**  
ø55x33x10mm



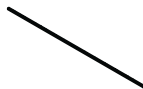
**F x12**  
ø895x55x10mm



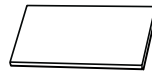
**G x8**  
ø187x75x30mm



**H x2**  
ø79x30x30mm



**I x2**  
ø1860x30x30mm



**J x2**  
ø930x1010x7mm



**K x24**  
øM8x30mm



**L x4**  
ø220x75mm



**M x4**  
ø25x25mm



**N x22**  
øM8x40mm



**O x22**  
øM8



**Px24**  
**øM8**



**Q x24**  
**øM8**



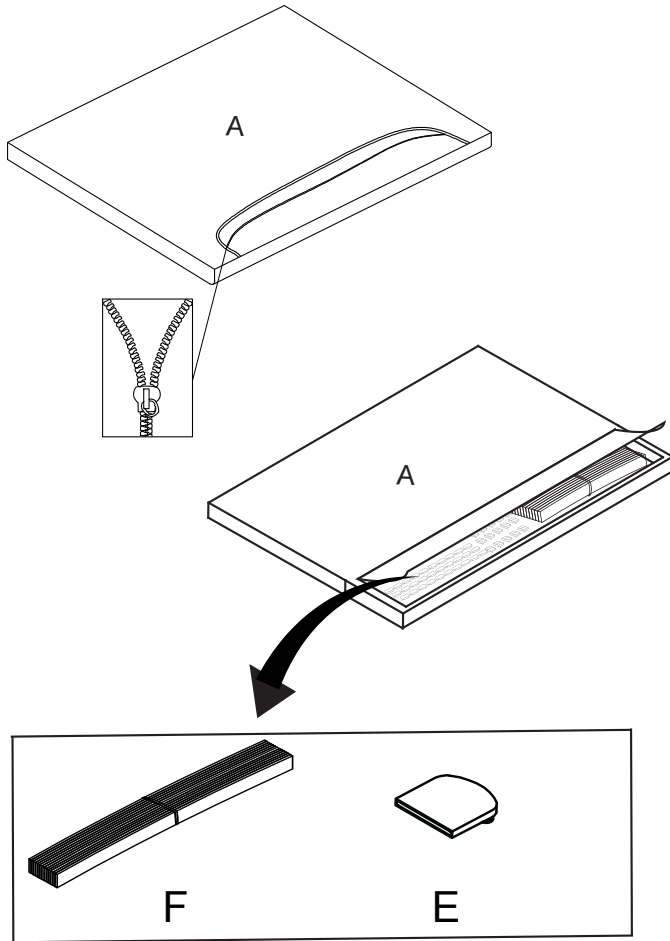
**R x1**  
**ø10x4.5mm**



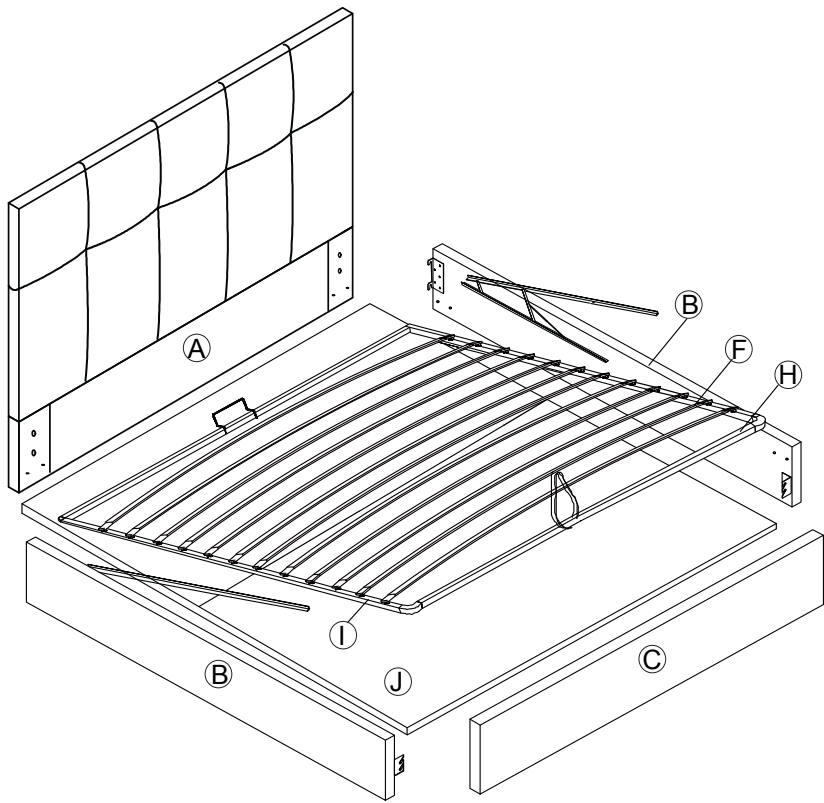
**Sx1**  
**ø70x25mm**

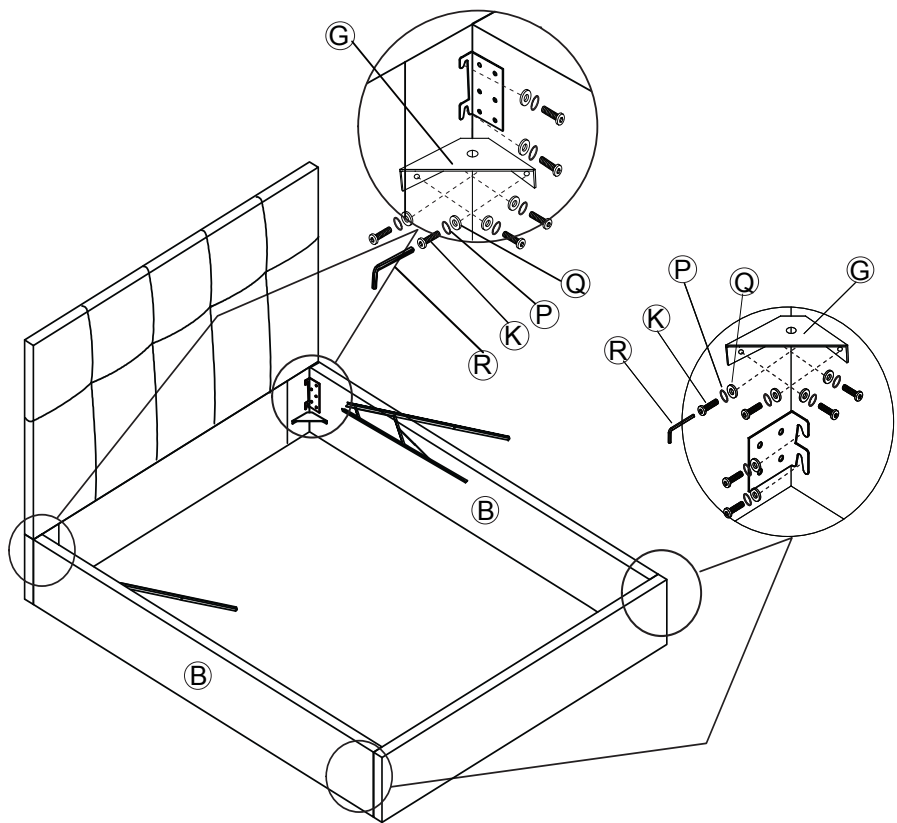


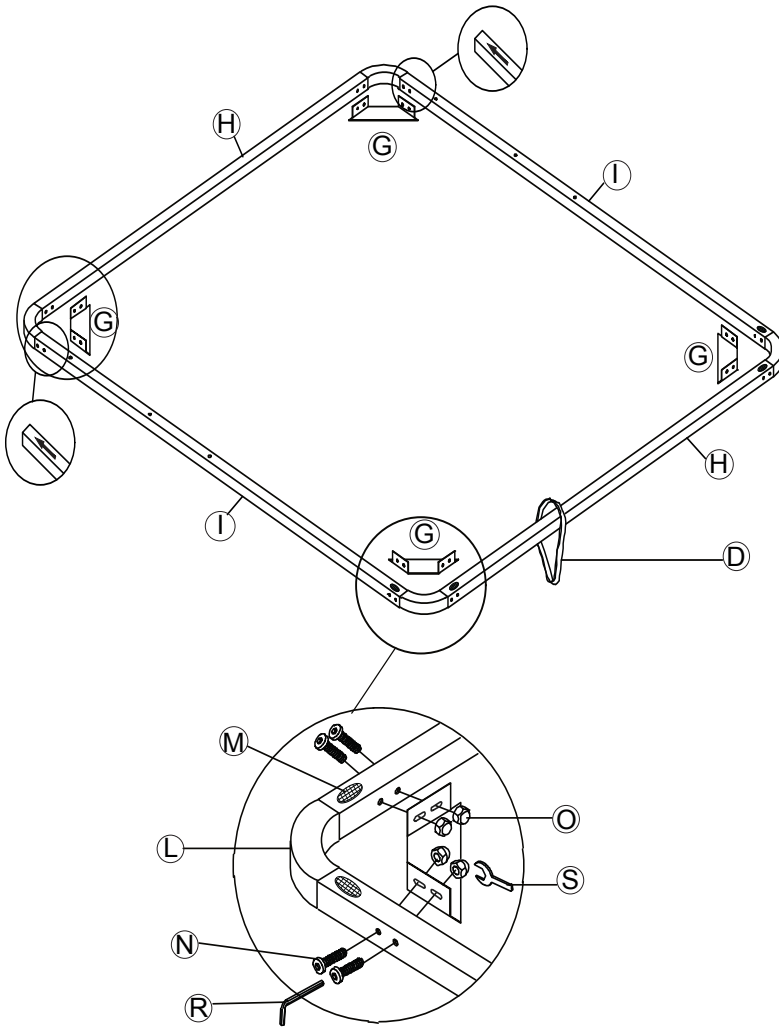
**T x1**  
**ø193x125mm**

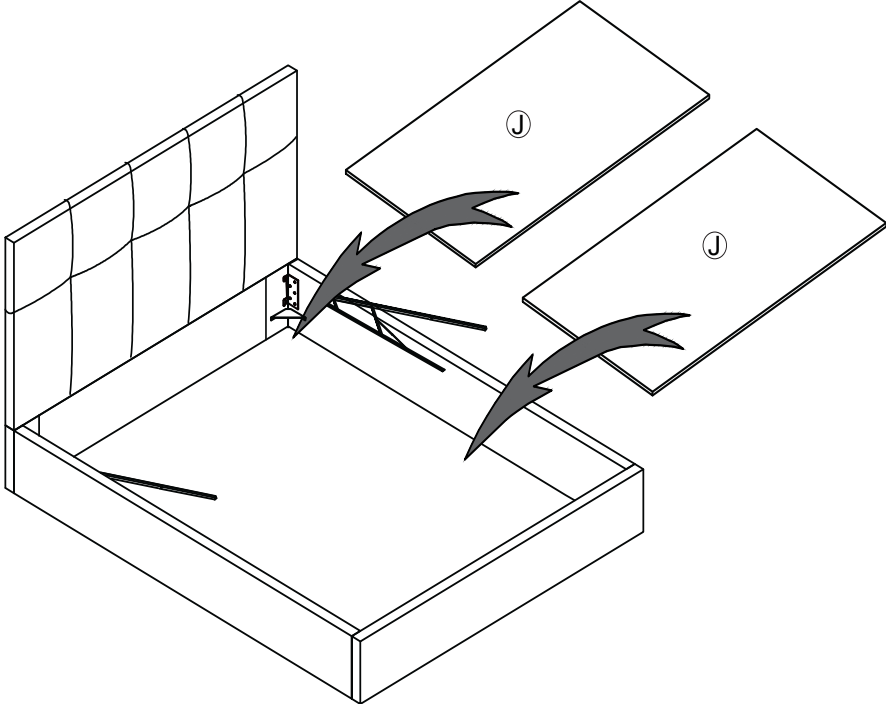


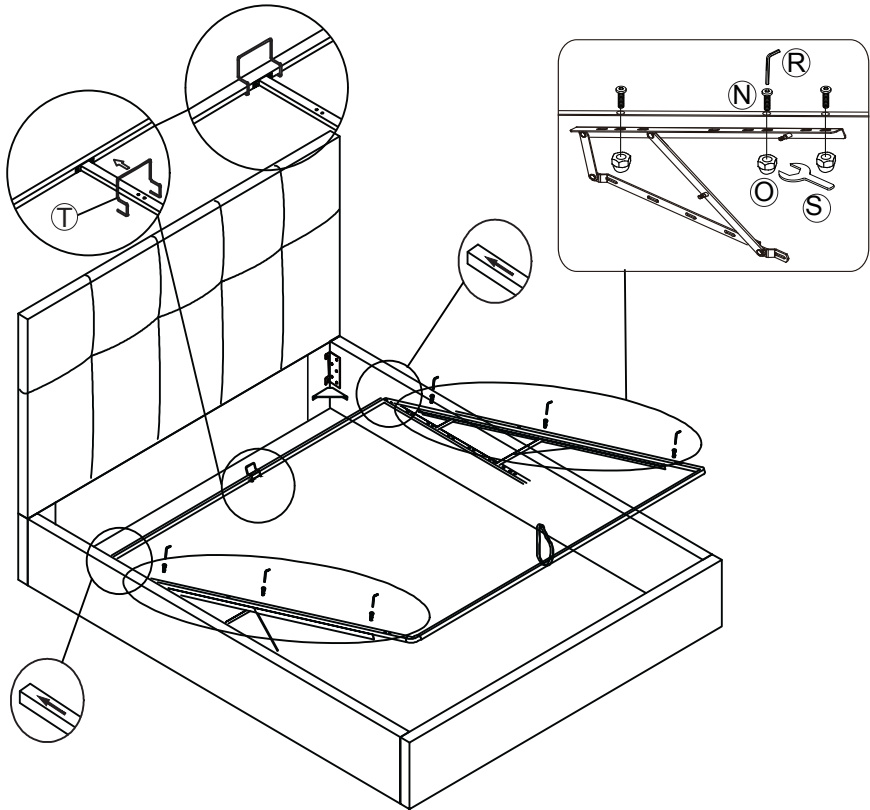
1

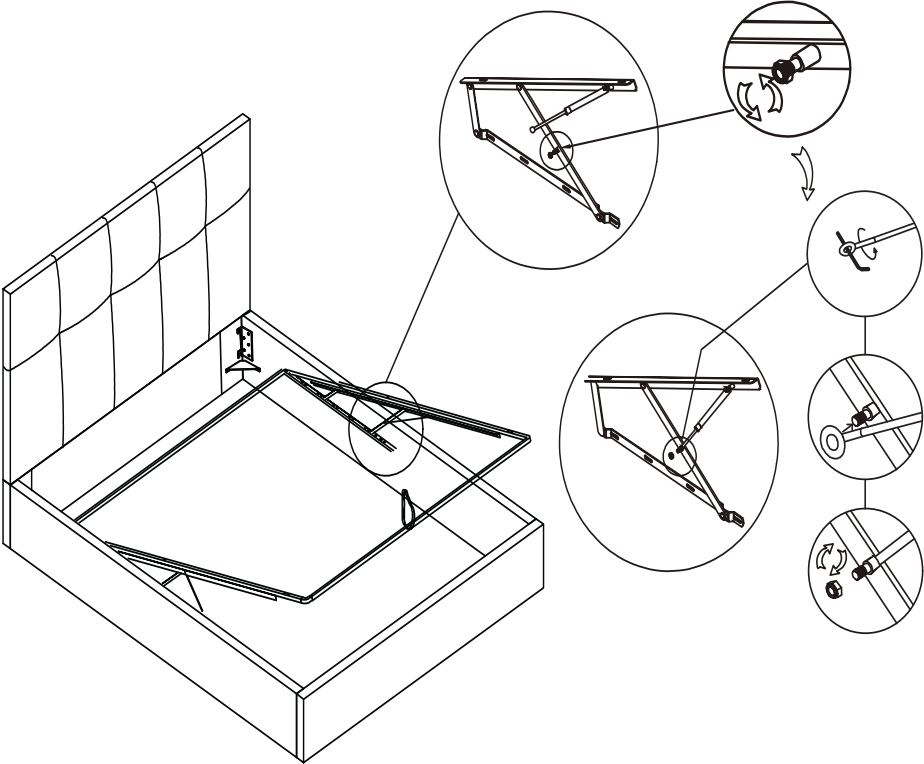




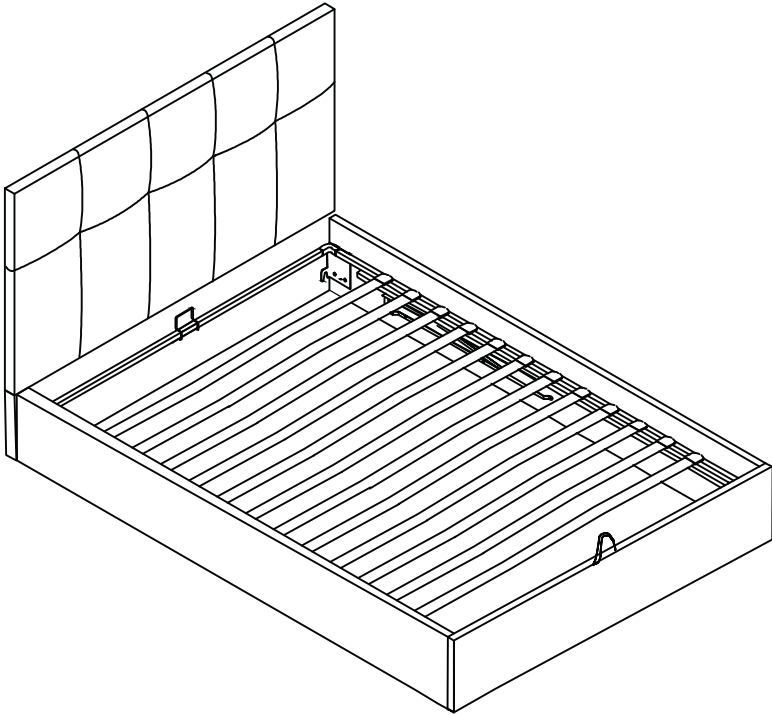
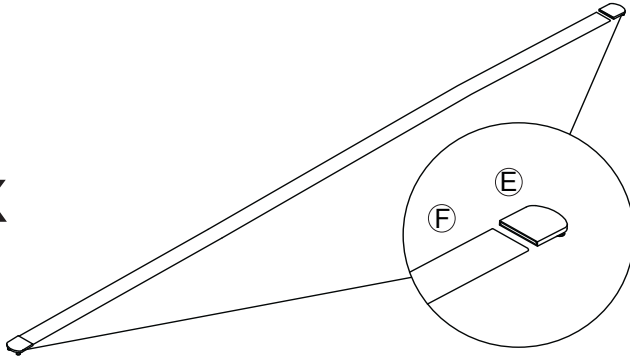


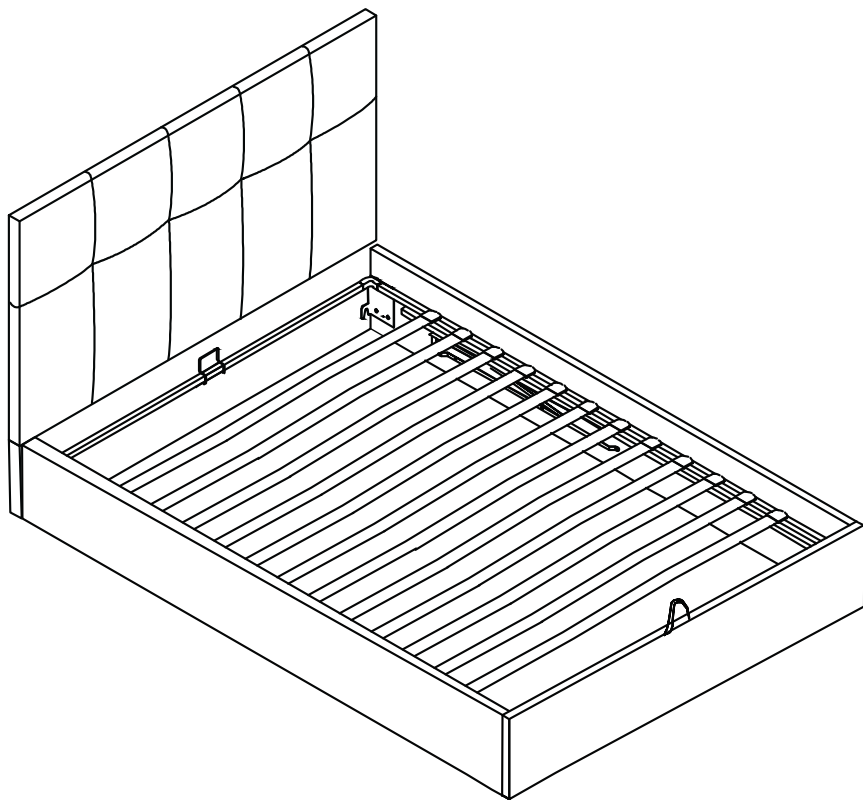






12X





Max 500 Kg





# Kave

**Julià Grup Furniture Solutions S.L.**

B-17616277

Pol. Ind. Bosc d'en Cuca  
C/ Tallers, 14. 17410 Sils, Spain  
contact@kavehome.com



IT: PAP 22, Carta.  
Verifica le disposizioni del tuo comune.