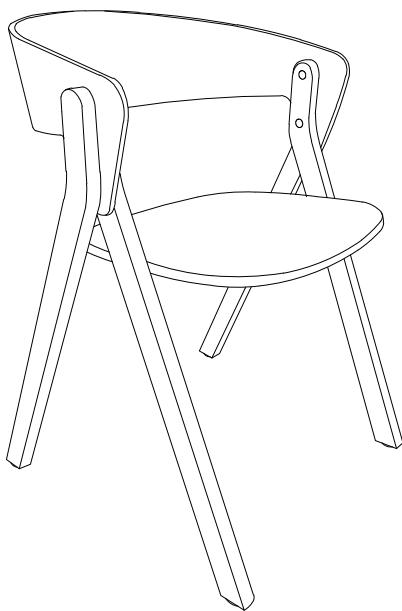
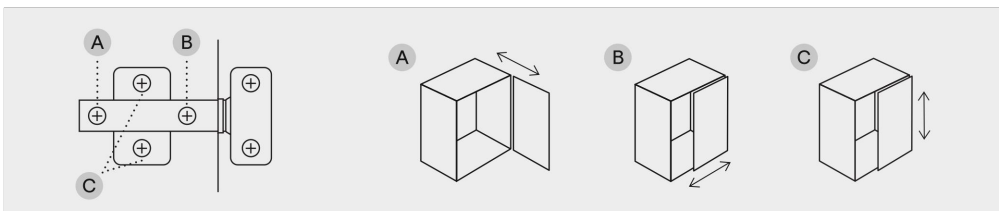
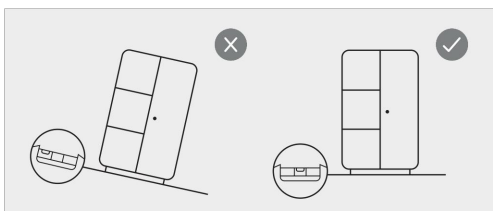
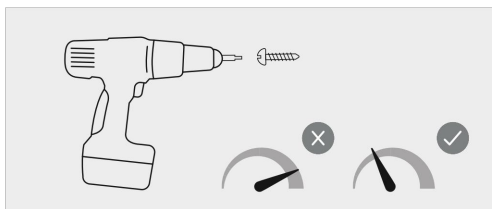
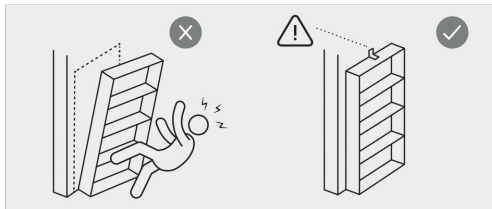
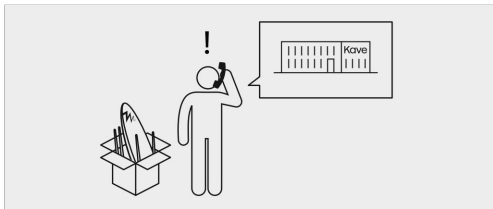
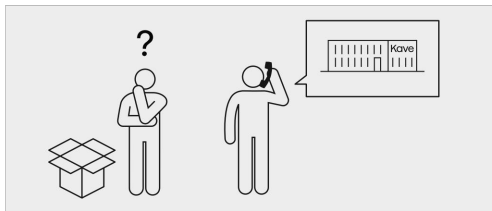
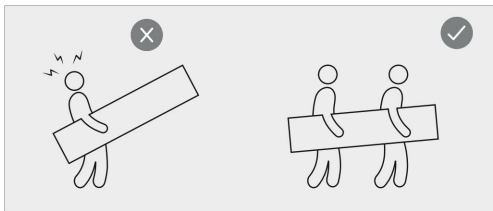


Godia



Kave

ED01





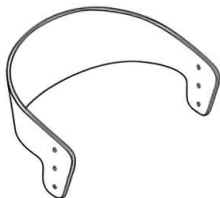
20 min



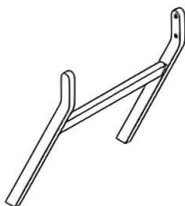
x1



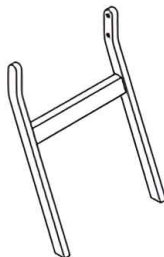
x2



A x1



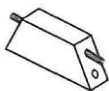
B x1



C x1



D x1



E x 2



F x 12
M6 x 45mm



G x 2
M6 x 20 (RB)



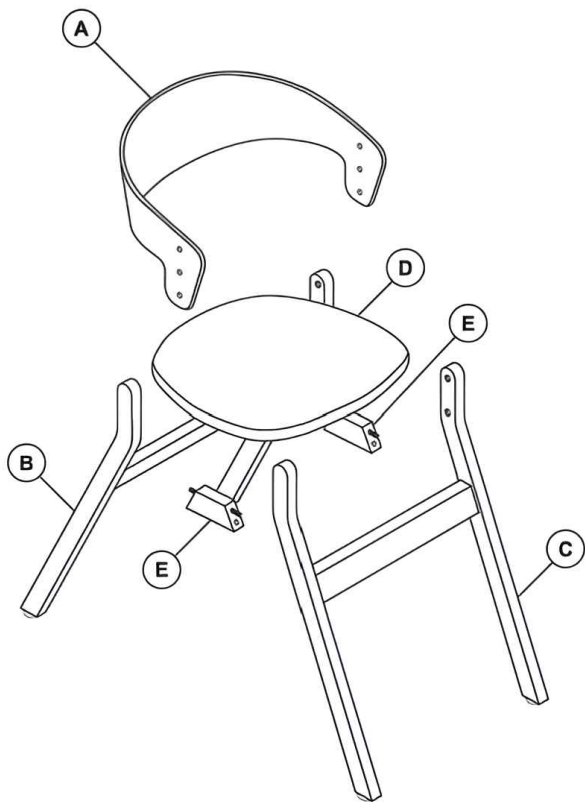
H x 8
5/16"

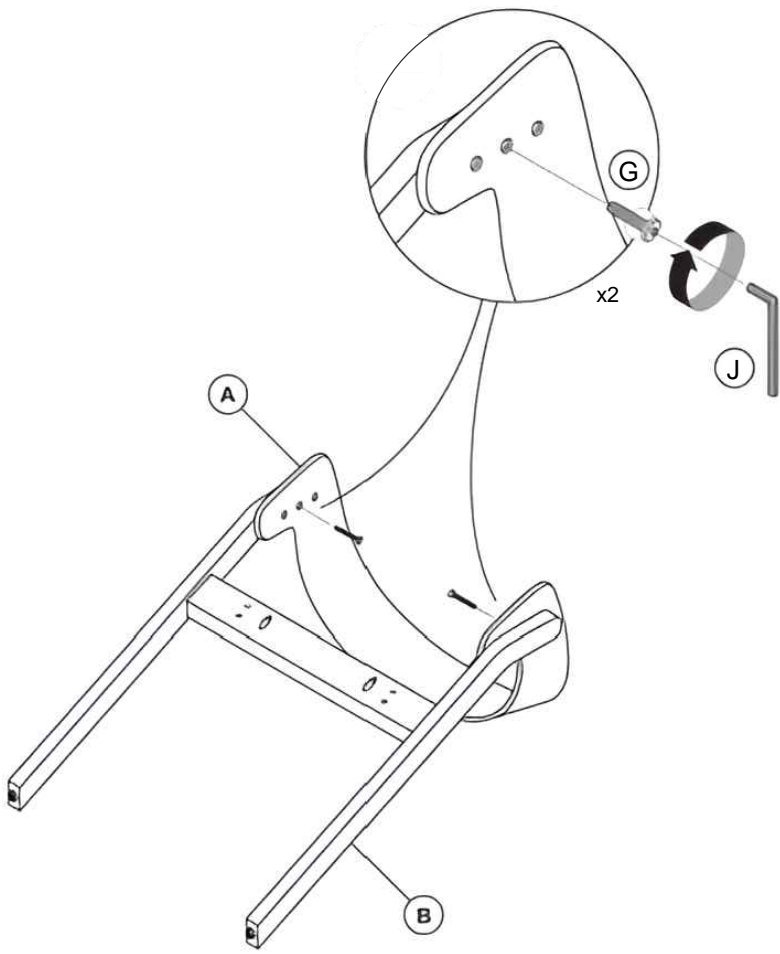



I x 8
6 x 13mm


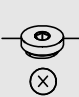


J x 1
M4



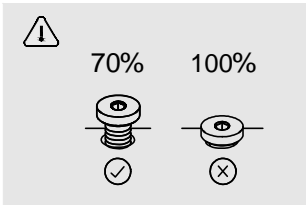
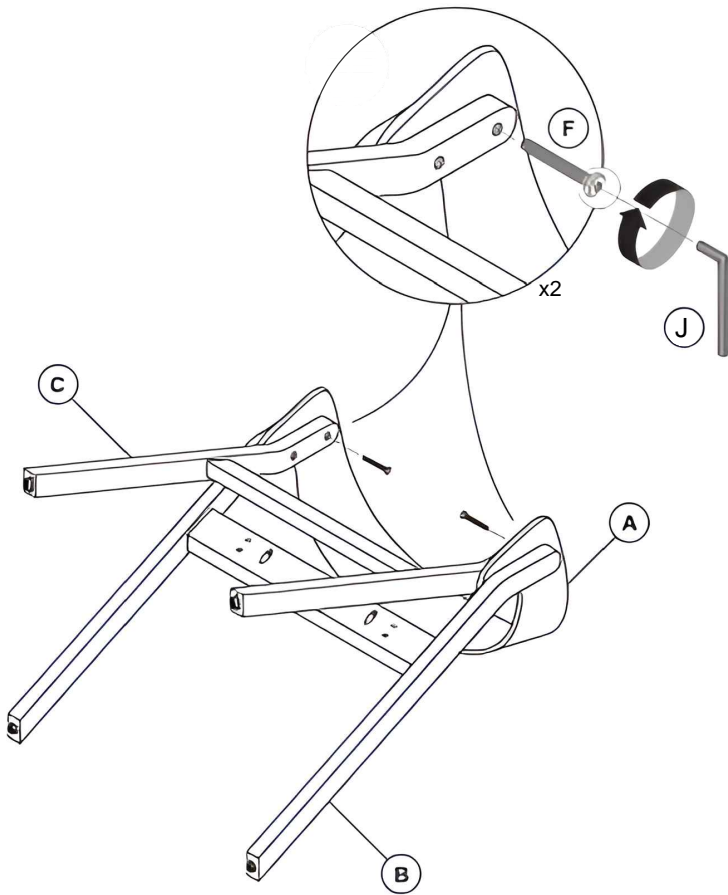


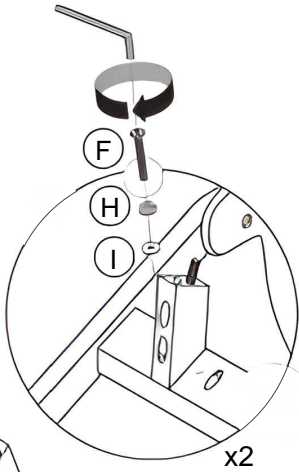
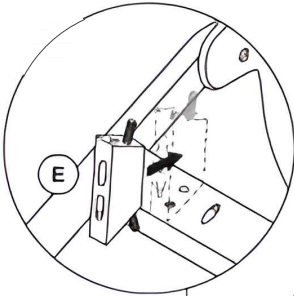
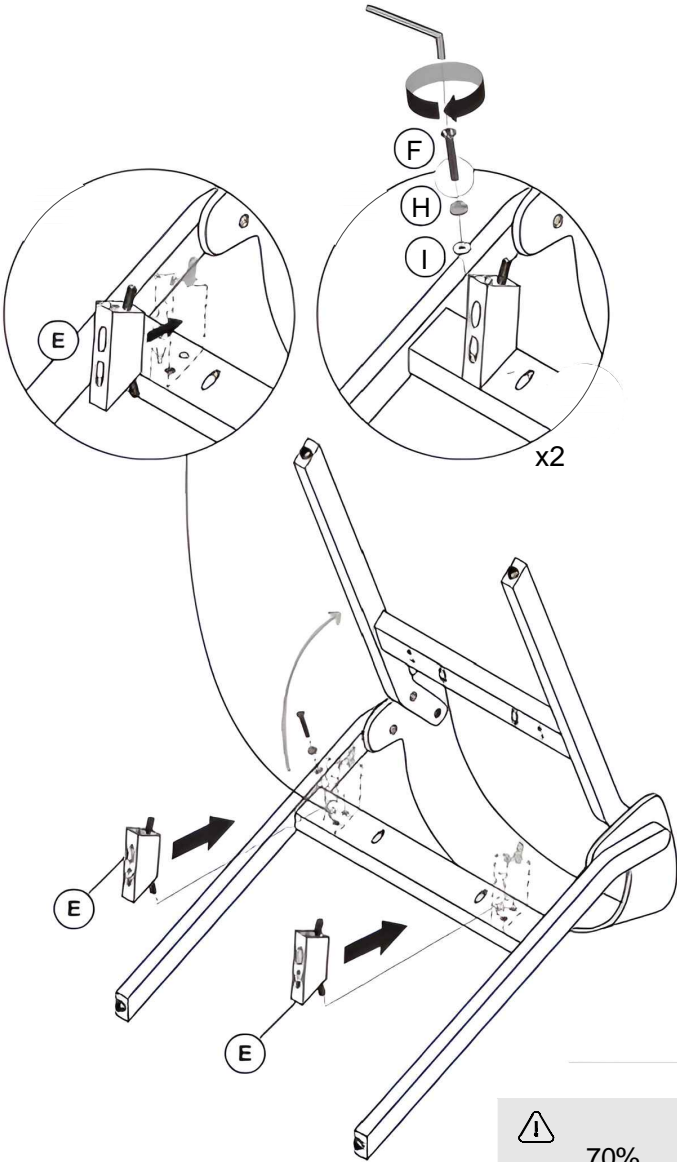
 70% 100%

This section contains a warning icon (a triangle with an exclamation mark) and two diagrams illustrating the correct and incorrect way to tighten a screw. The first diagram shows a screw being tightened to 70% torque, indicated by a checkmark below it. The second diagram shows a screw being tightened to 100% torque, indicated by an 'X' below it.

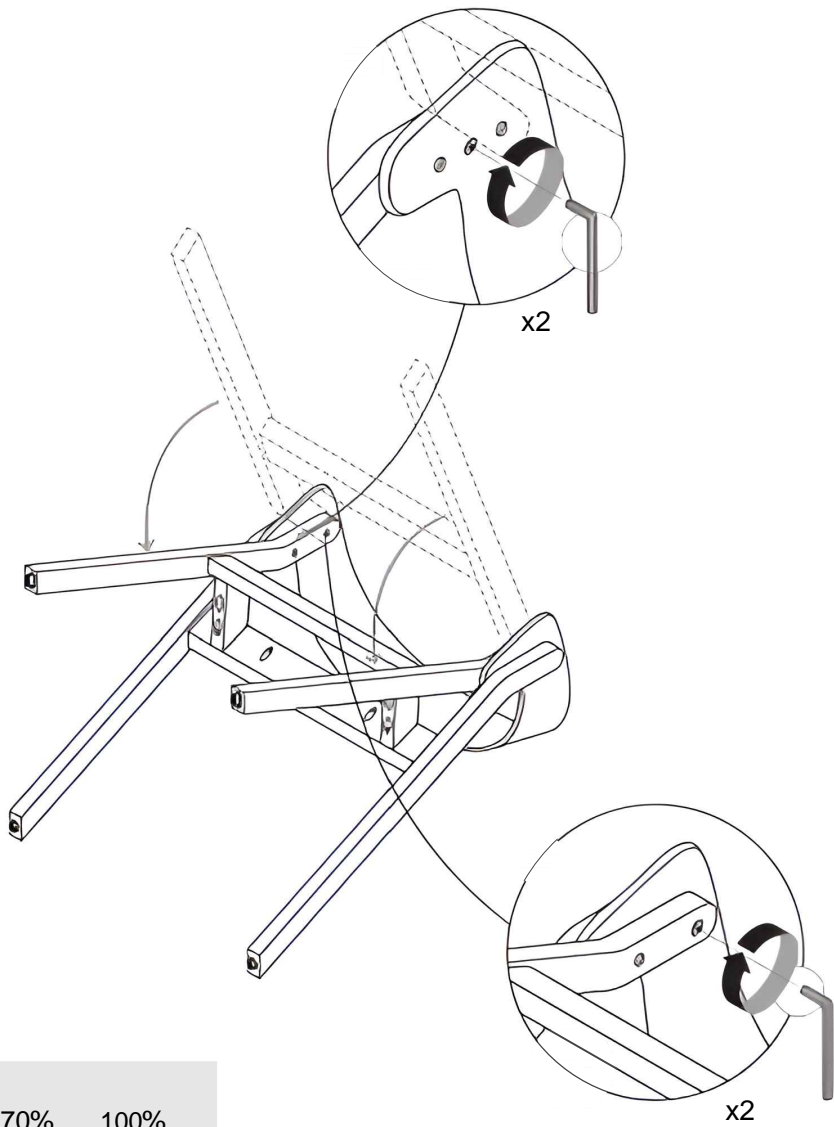
2





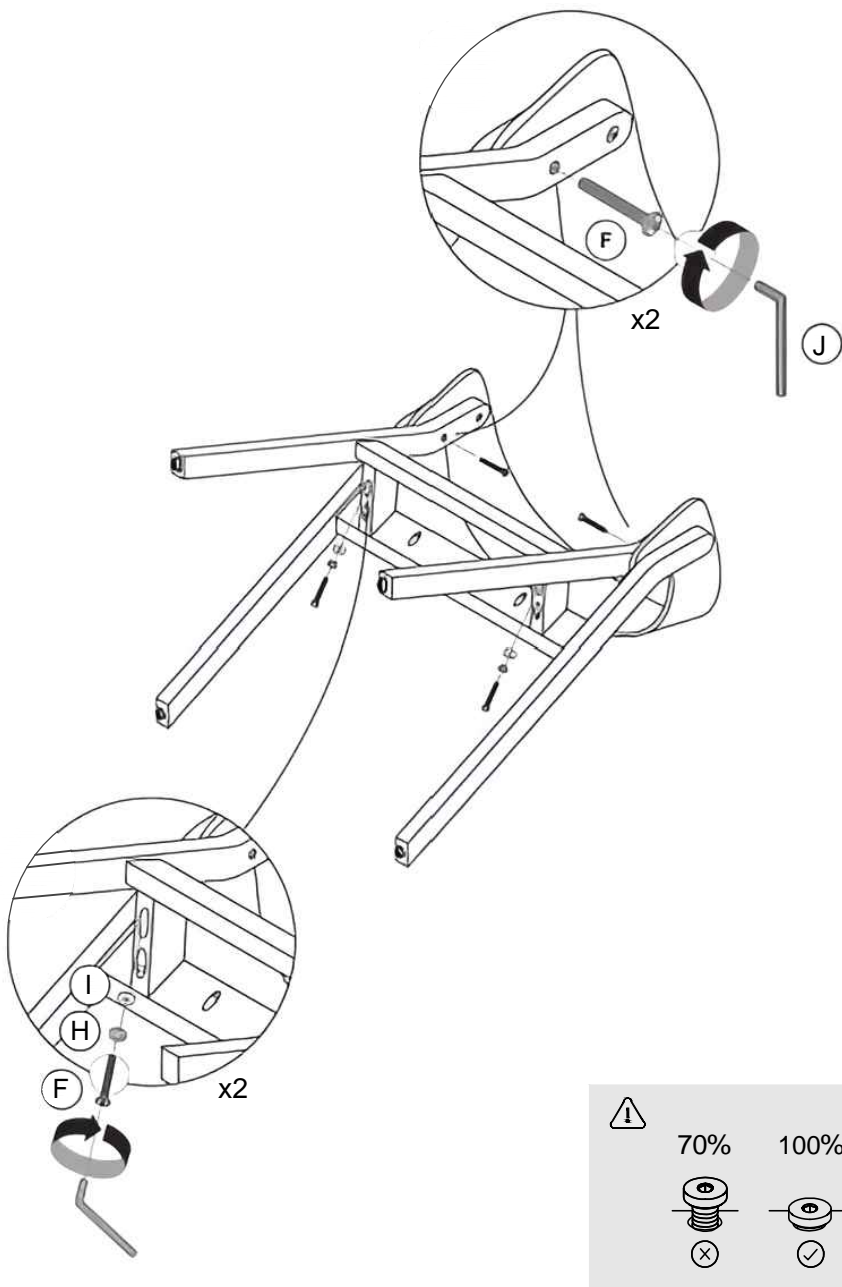
x2

!	
70%	100%

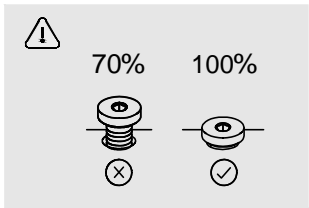
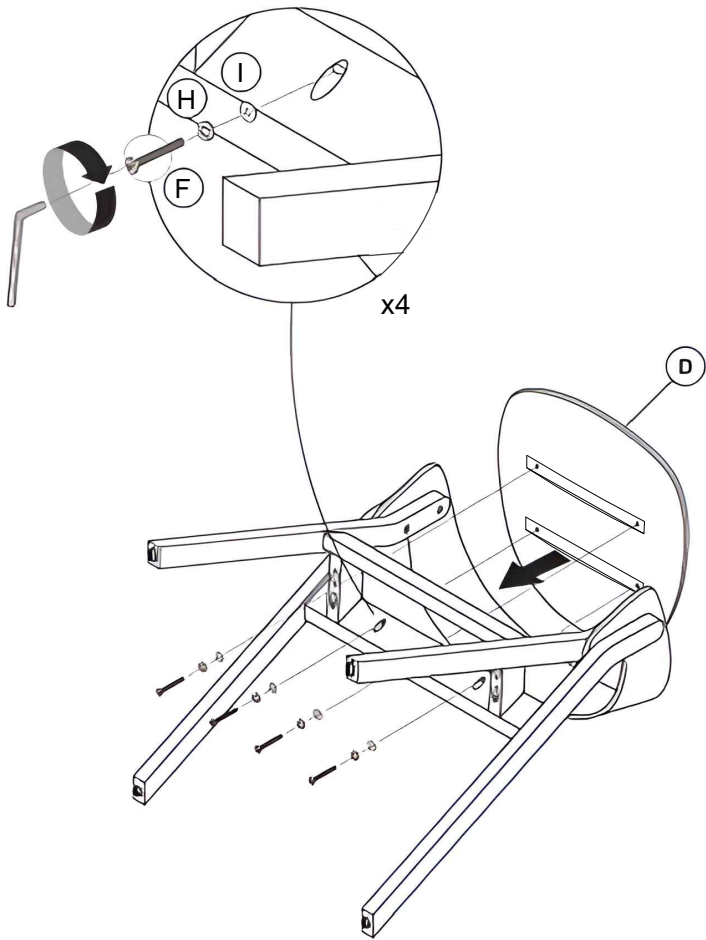


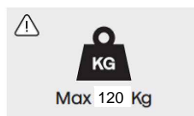
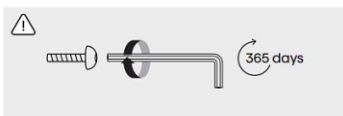
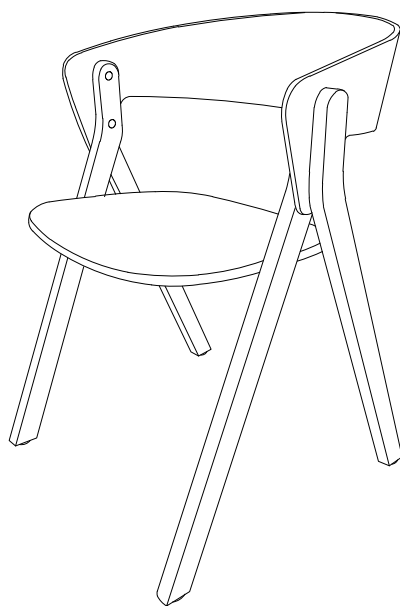
⚠

70%	100%
⊗	⊗



6





Kave

Julià Grup Furniture Solutions S.L.

B-17616277

Pol. Ind. Bosc d'en Cuca

C/ Tallers, 14. 17410 Sils, Spain

contact@kavehome.com



IT: PAP 22, Carta.

Verifica le disposizioni del tuo comune.