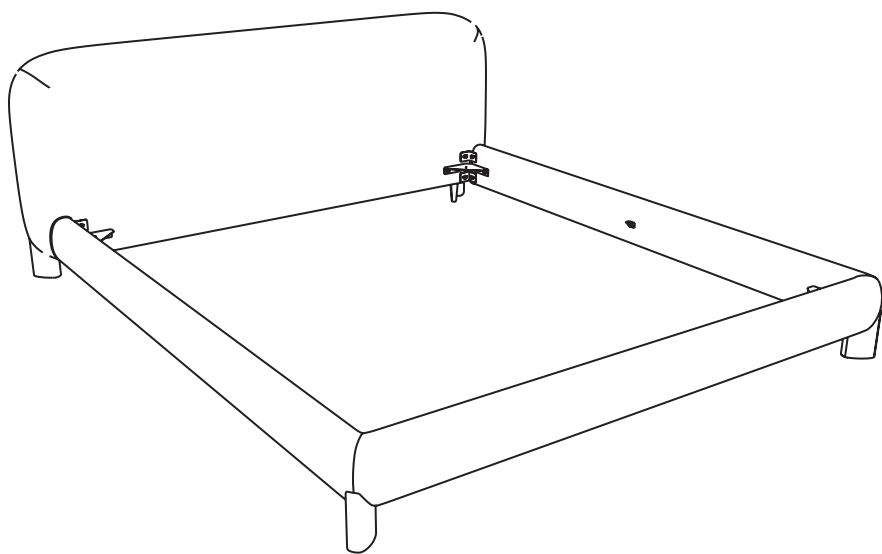
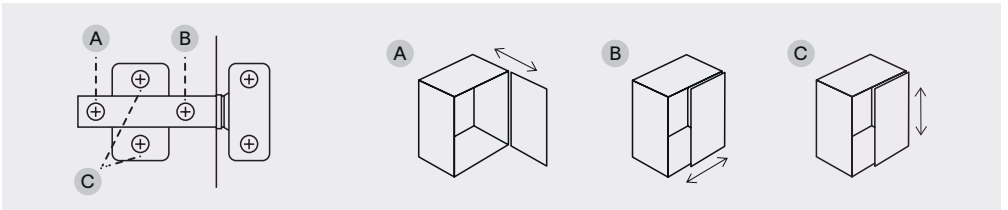
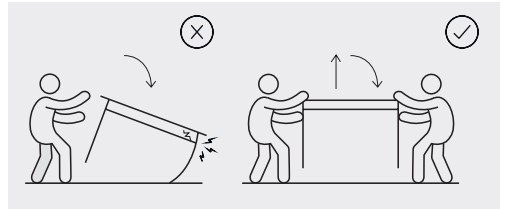
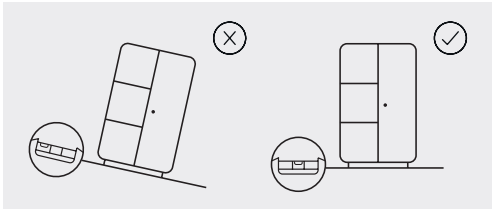
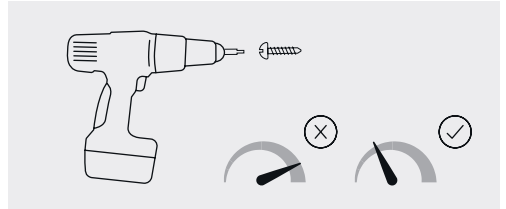
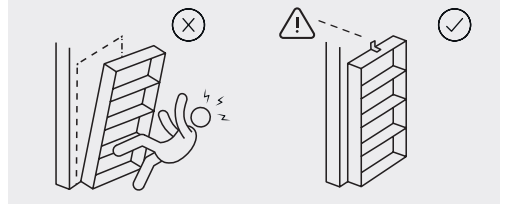
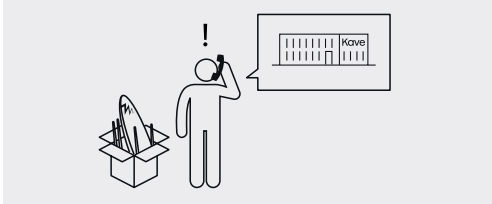
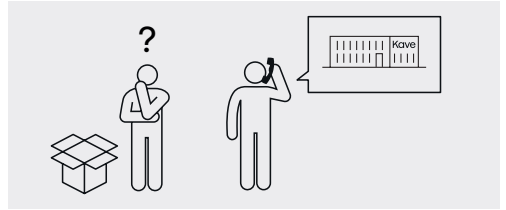
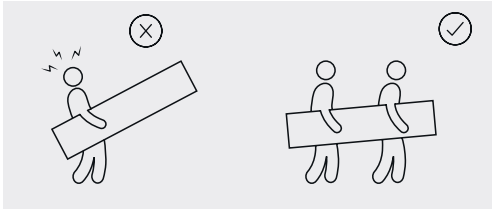


Odina



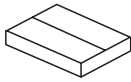
Kave

ED01





45 min



x4



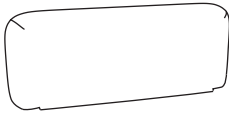
x2



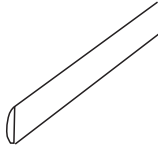
x1



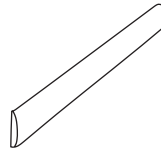
x1



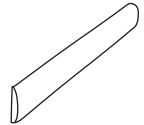
A x1



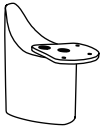
B x1



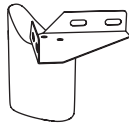
C x2



D x1



E x2



F x2



G x2



H x2



I x4



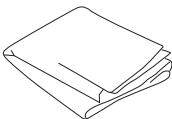
J x4



K x34
ø8x25mm



L x6
ø5x40mm

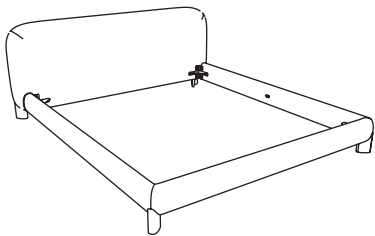


M x1

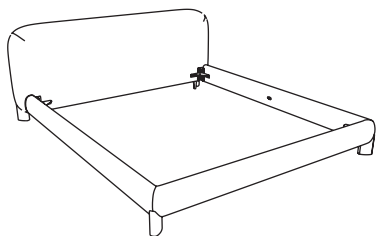


N x4

P. 5

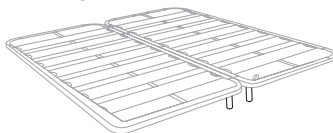


P. 13

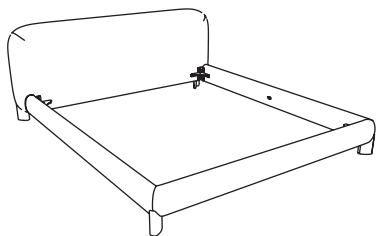


+

TALO

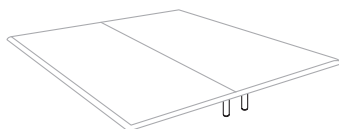


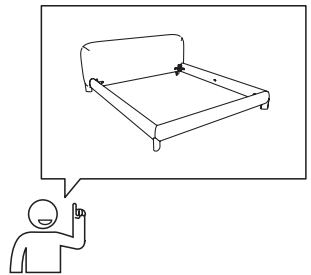
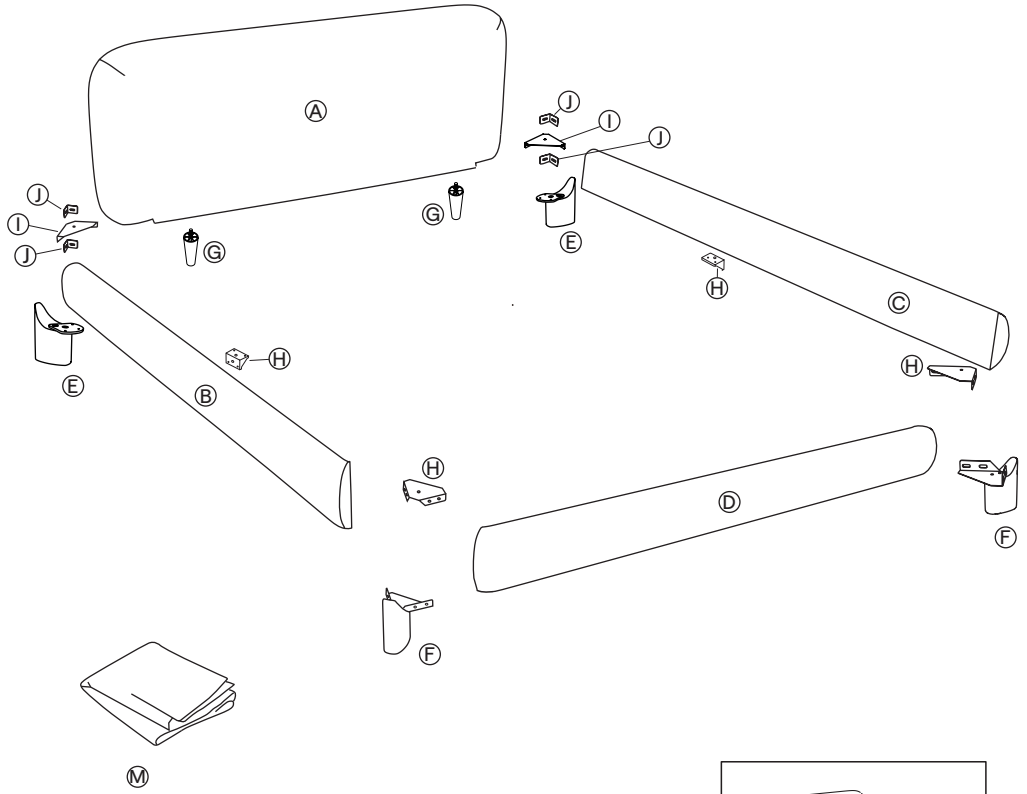
P. 17



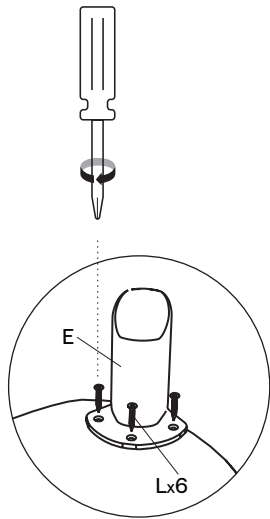
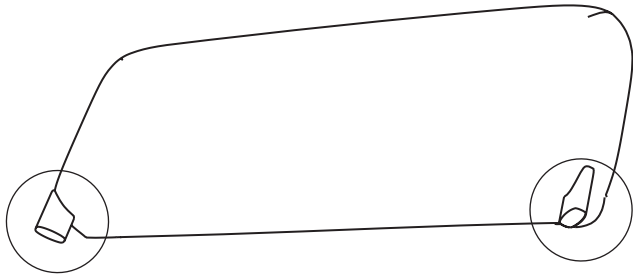
+

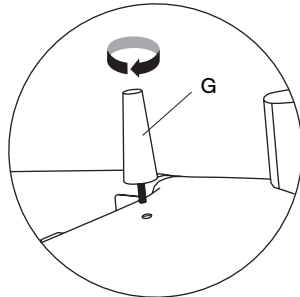
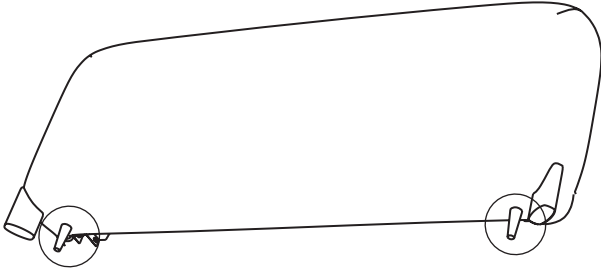
UNDER



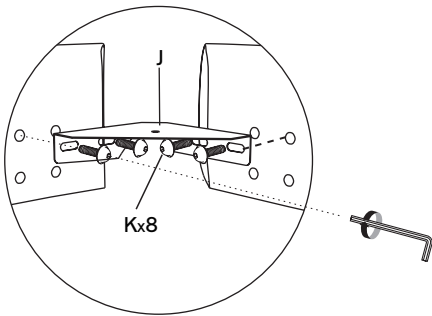
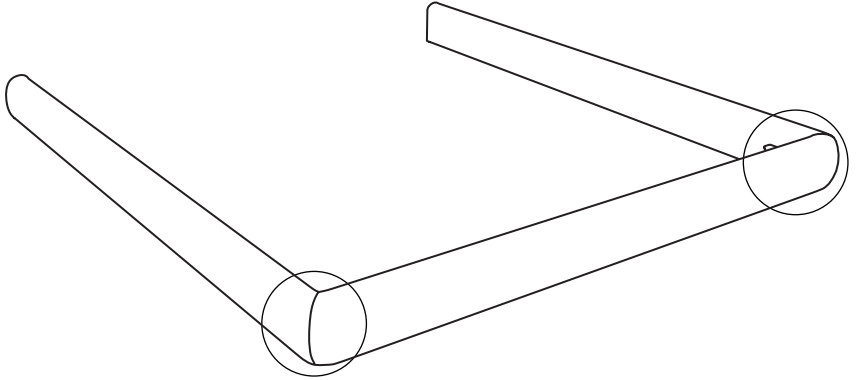


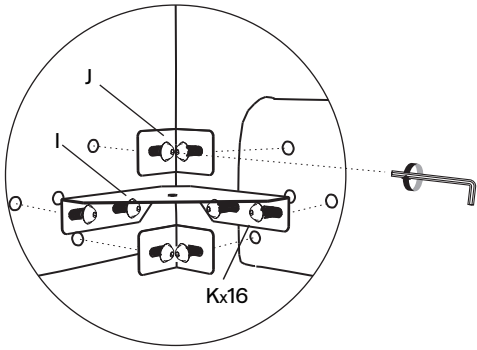
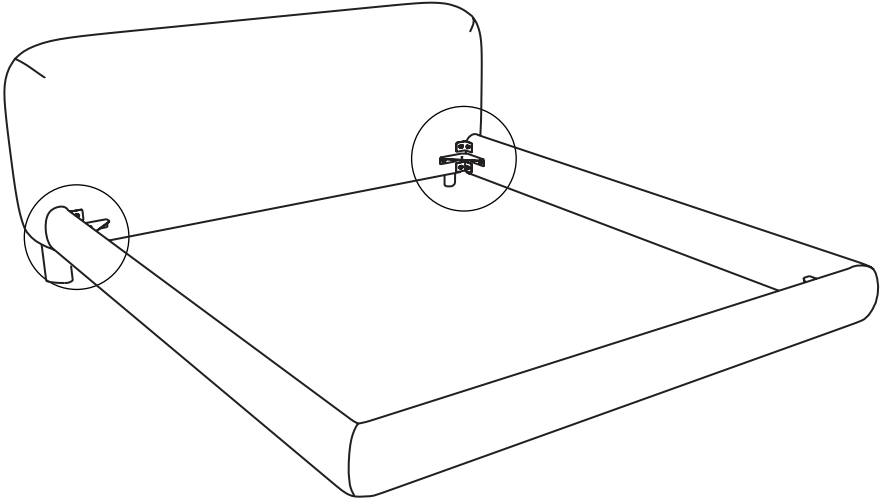
1



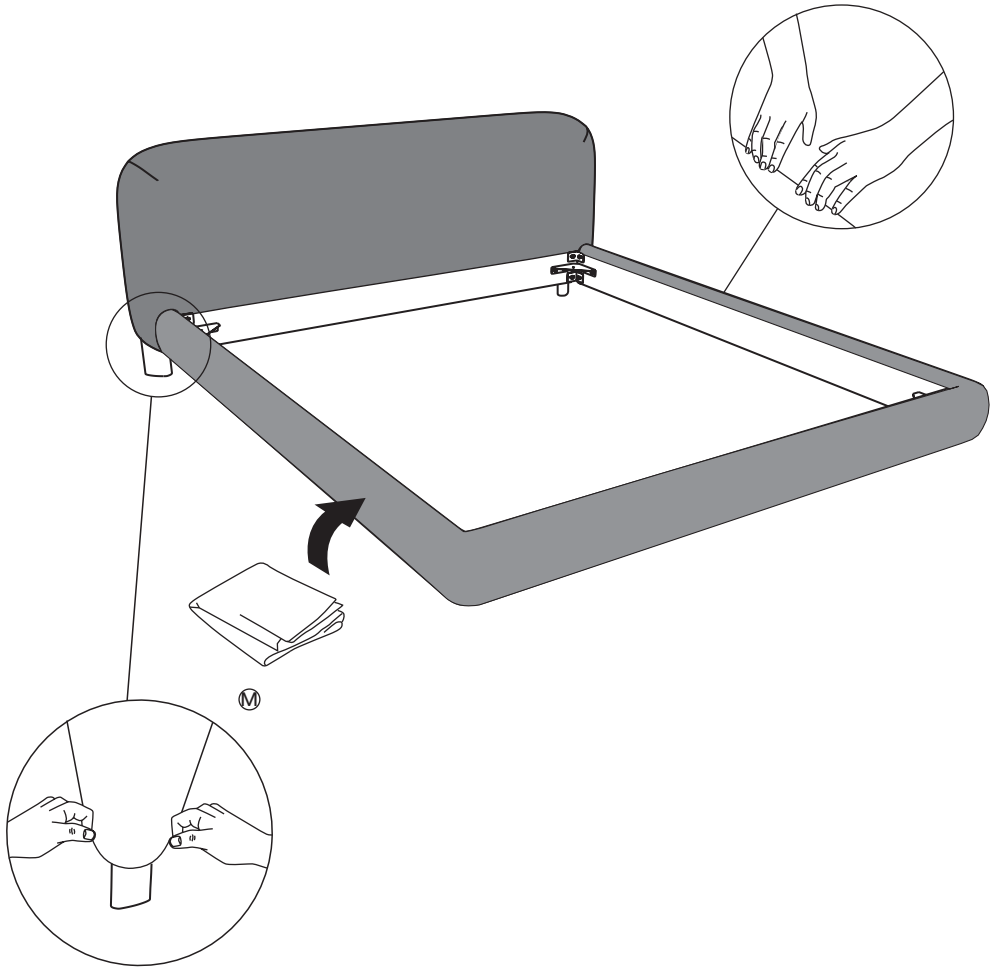


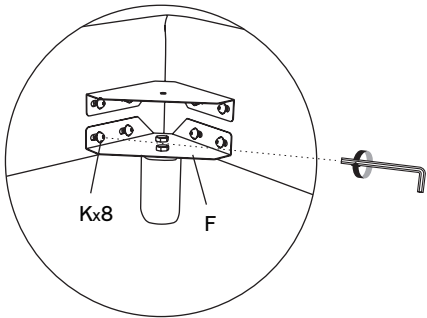
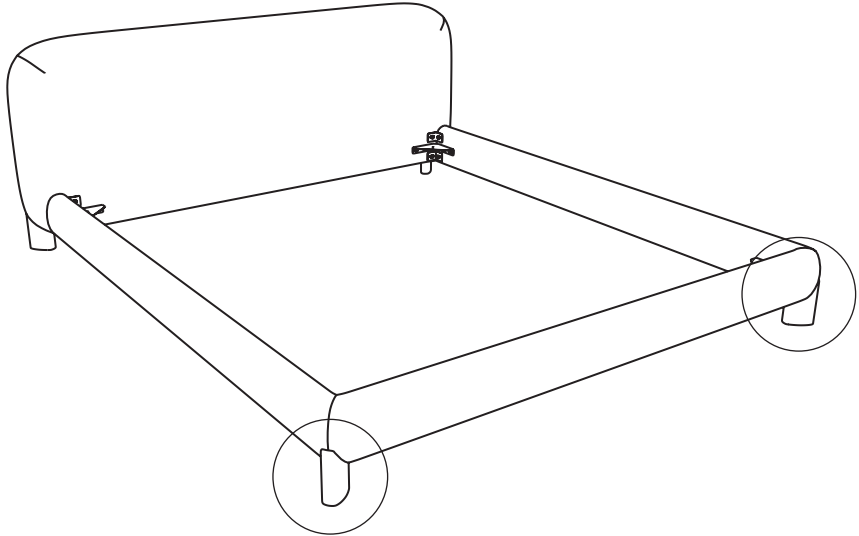
3



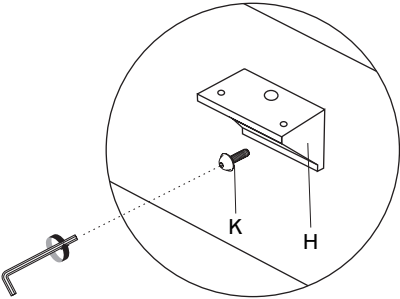
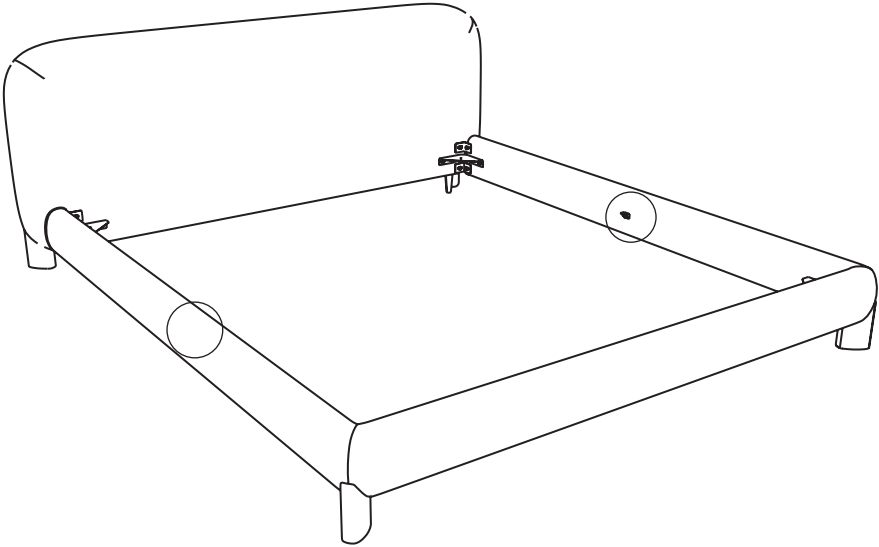


5

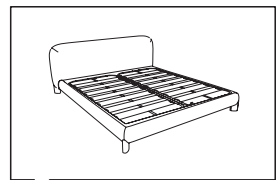
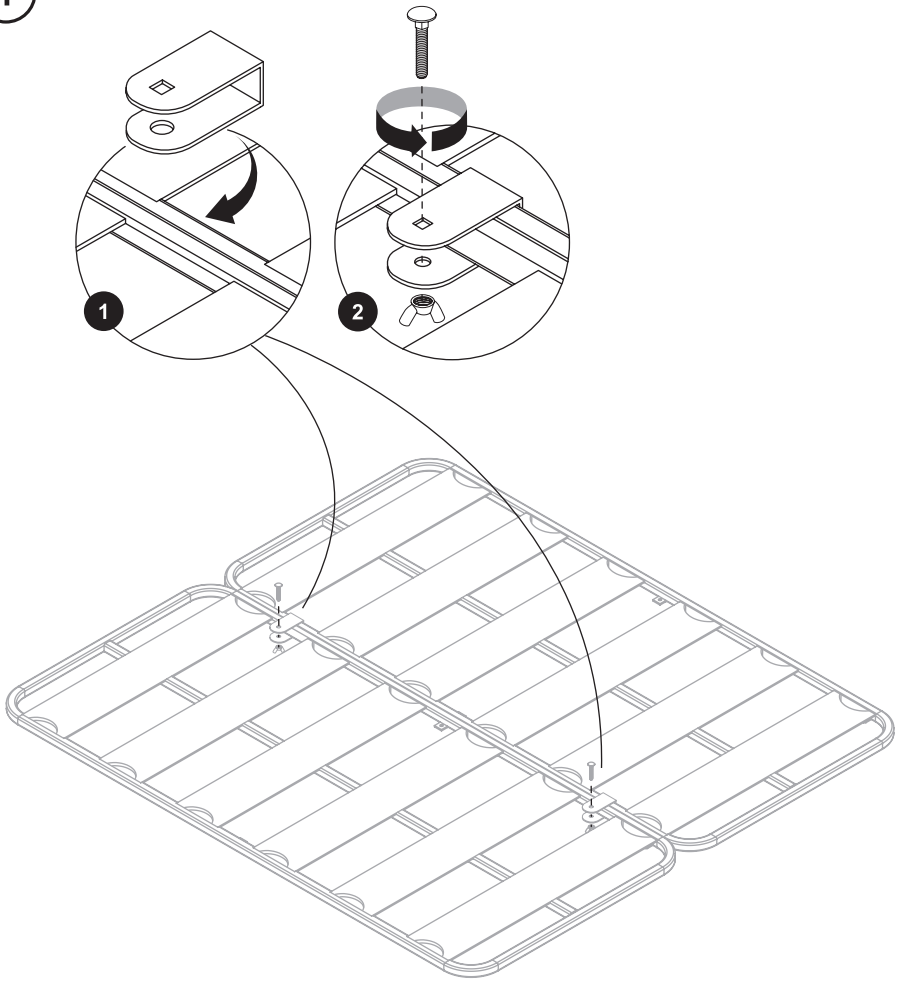




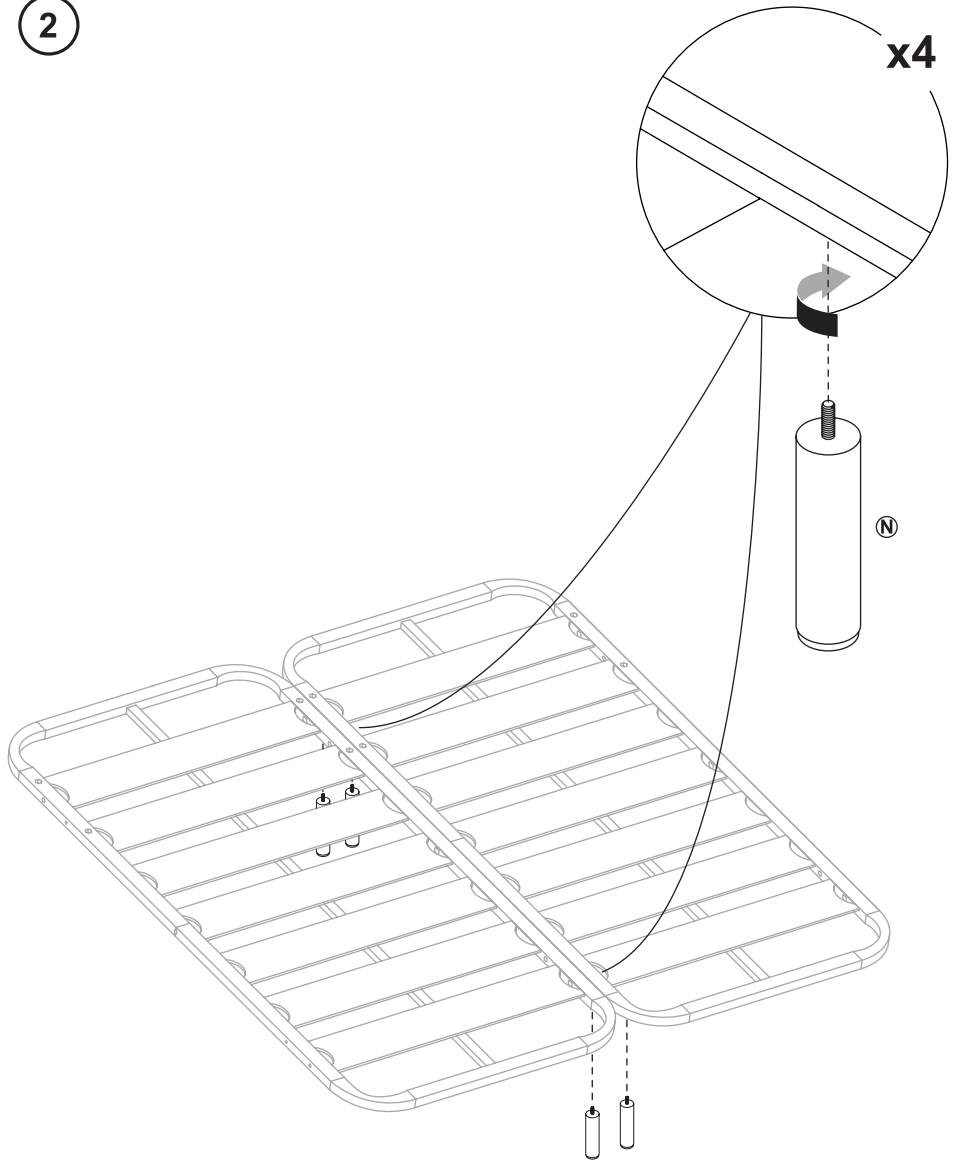
7



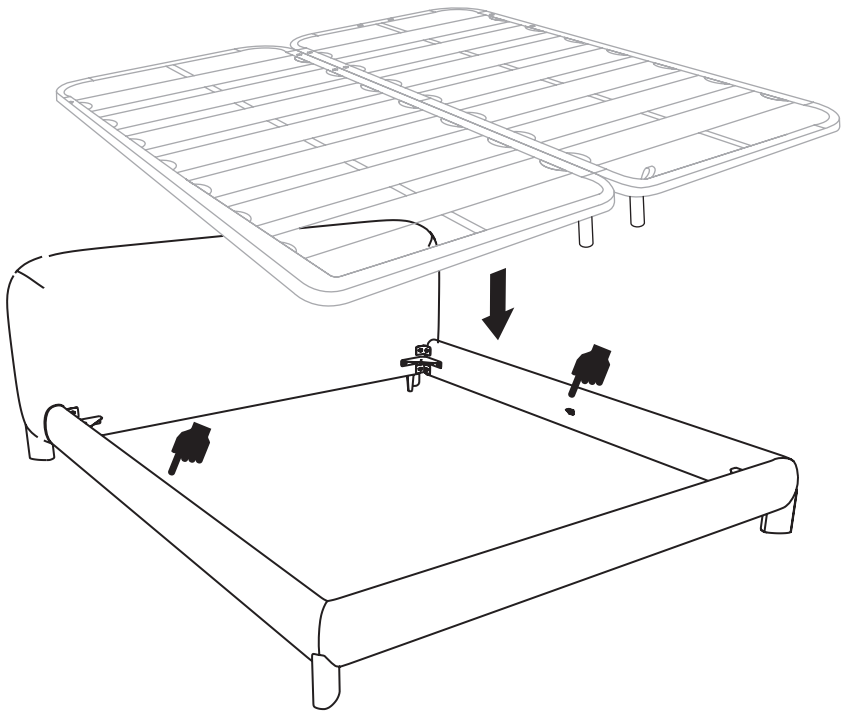
1



2

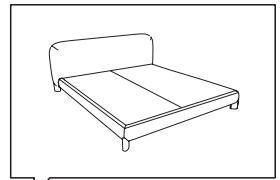
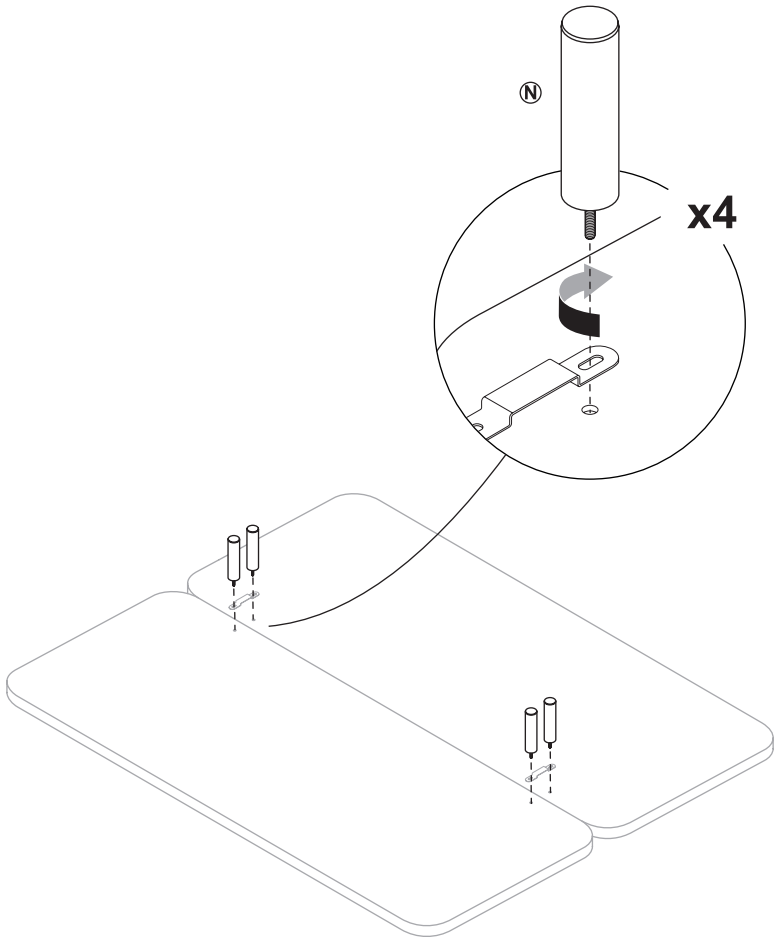


3

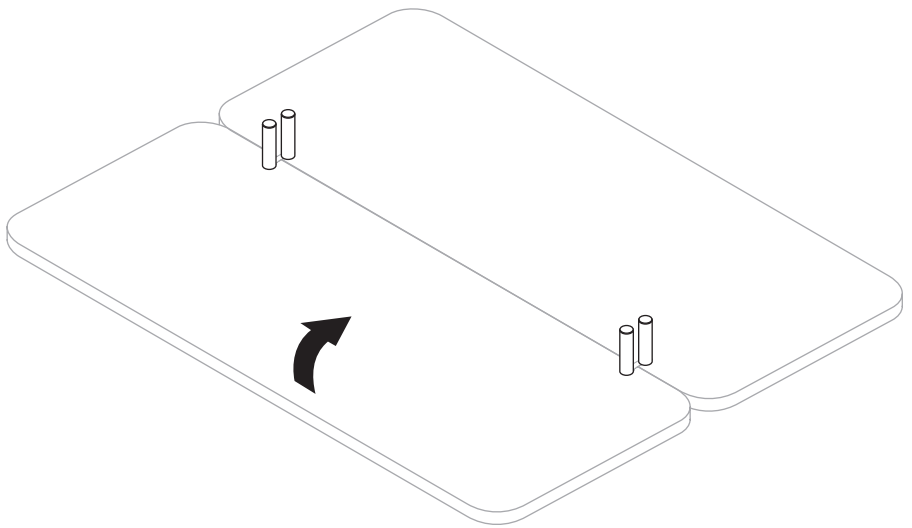




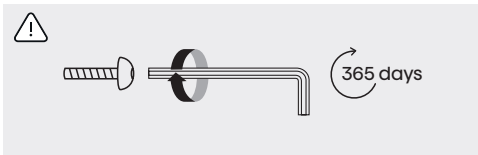
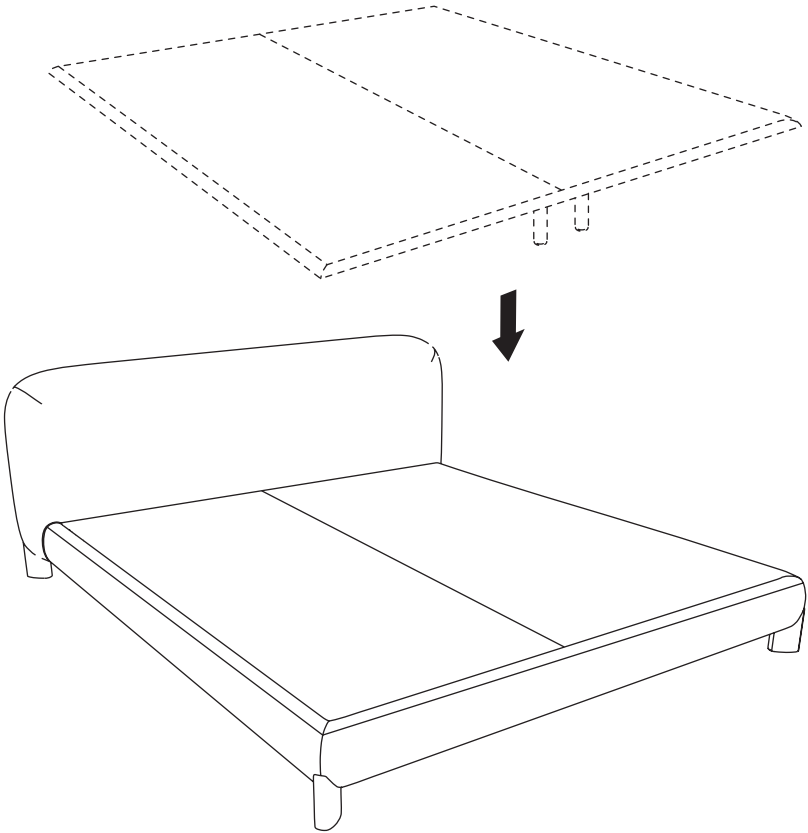
1



2



3



Kave

Julia Grup Furniture Solutions S.L.

B-17616277

Pol. Ind. Bosc d'en Cuca
C/ Tallers, 14. 17410 Sils, Spain
contact@kavehome.com



IT: PAP 22, Carta.
Verifica le disposizioni del tuo comune.