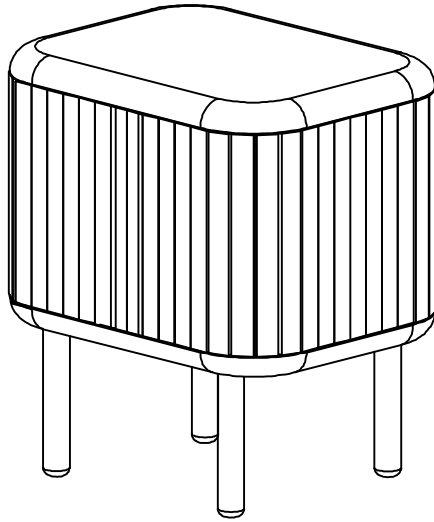
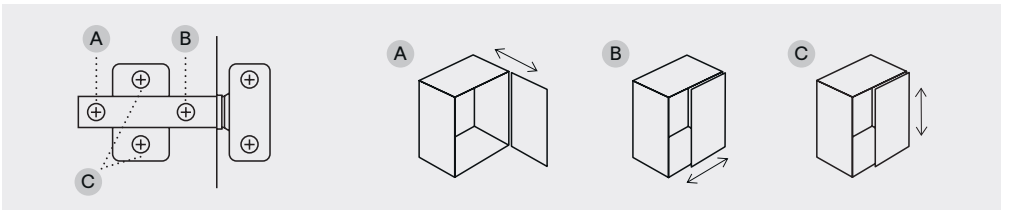
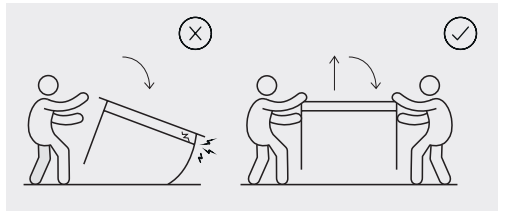
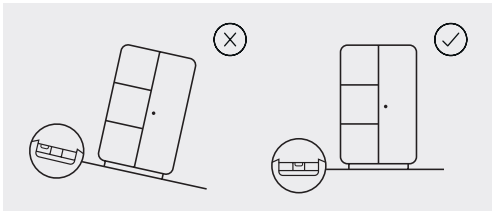
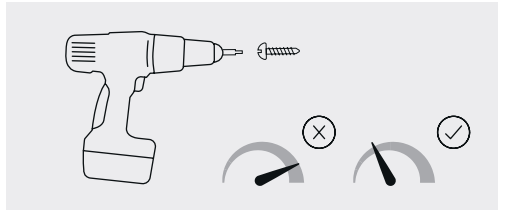
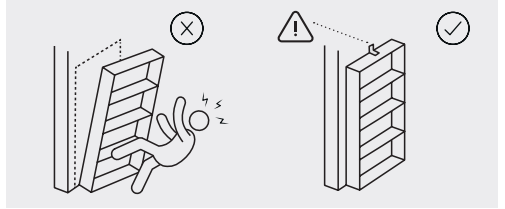
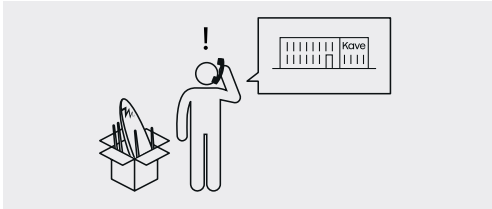
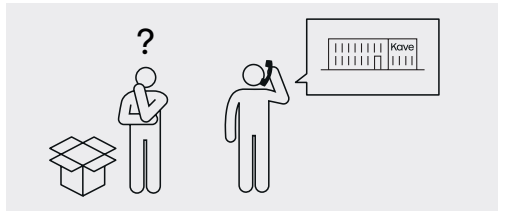
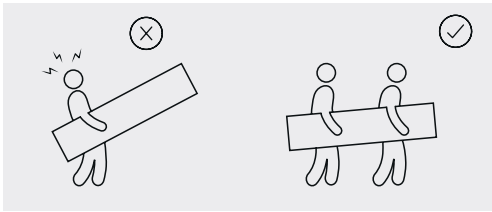


Mailen



Kave

ED01





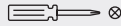
30 min



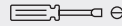
x1



x2



x1



x1



x1



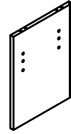
A x1



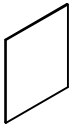
B x1



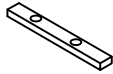
C x1



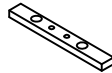
D x1



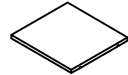
E x1



F x1



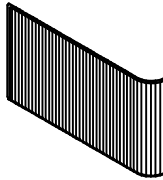
G x1



H x1



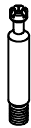
I x4
80x50x192



J x2



K x4



L x4



M x8
Ø8x30



N x4
Ø7x50mm



O x16
M6x16mm



P x4
M6x16



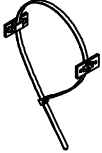
Q x2
Ø3.5x38



R x4



S x 6



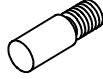
W x 1



T x 1
M4



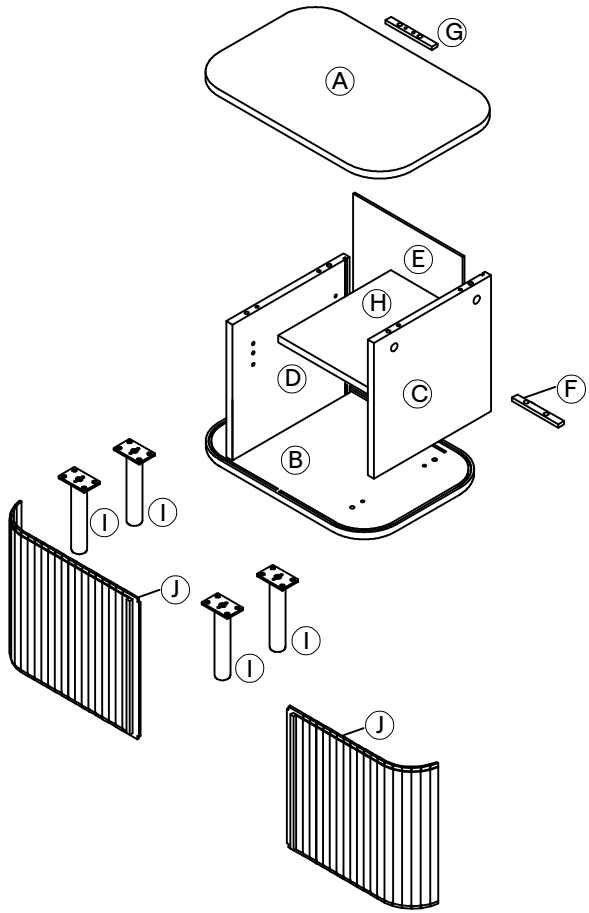
X x 8
Ø3.5x16mm



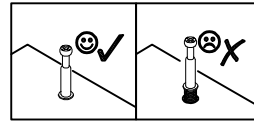
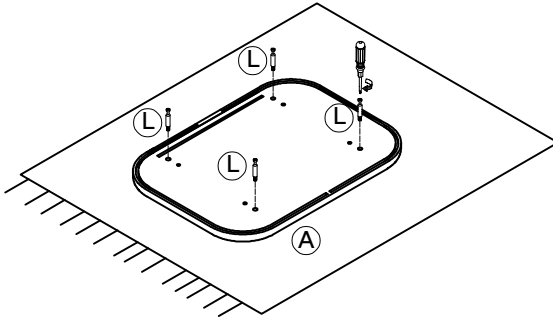
U x 4
Ø6x19mm



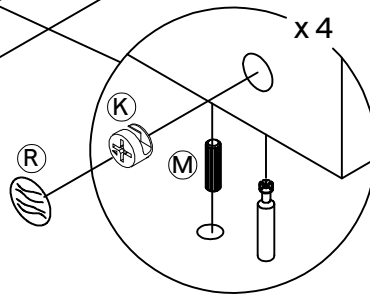
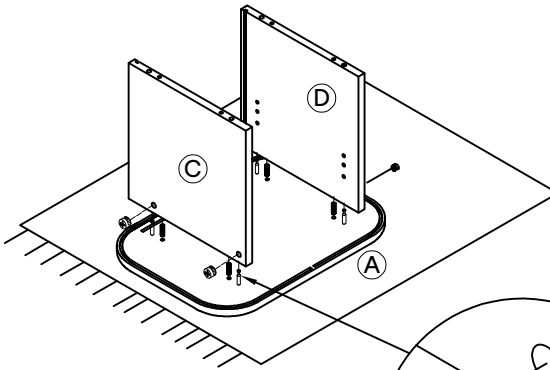
V x 2
Ø8x38mm



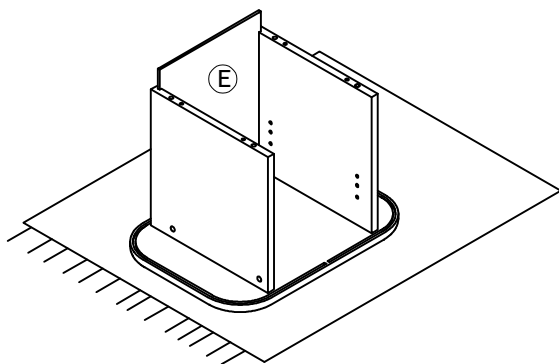
1



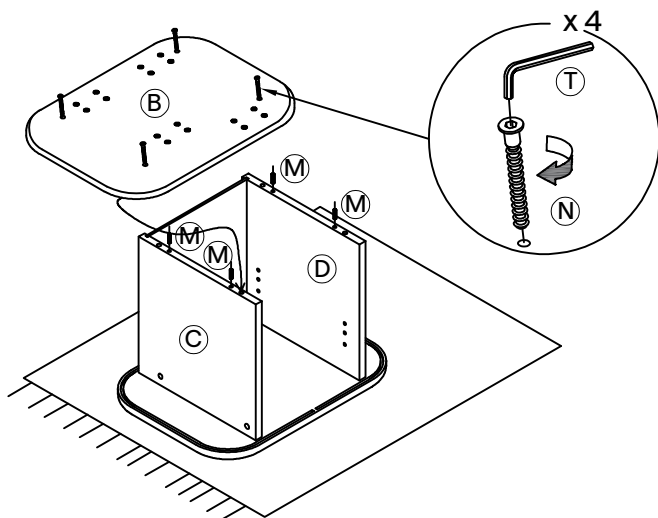
2



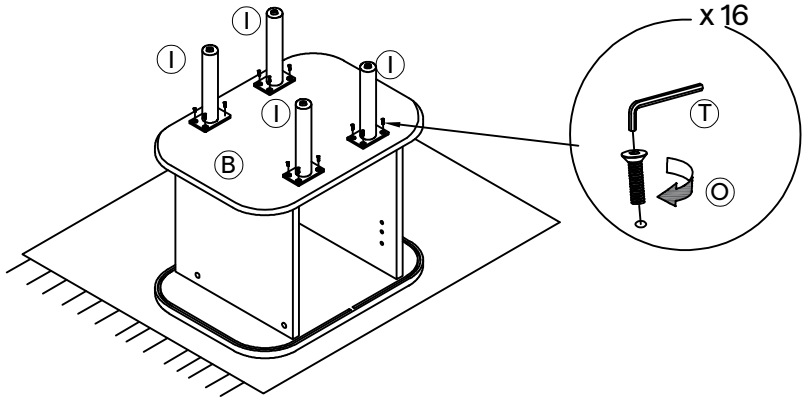
3



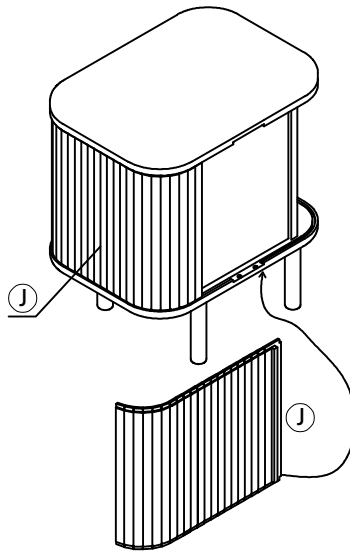
4



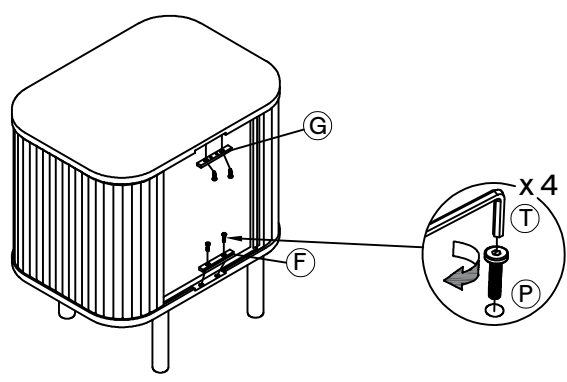
5



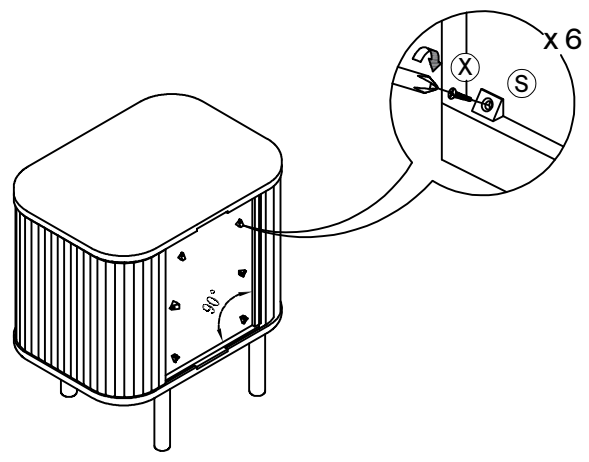
6



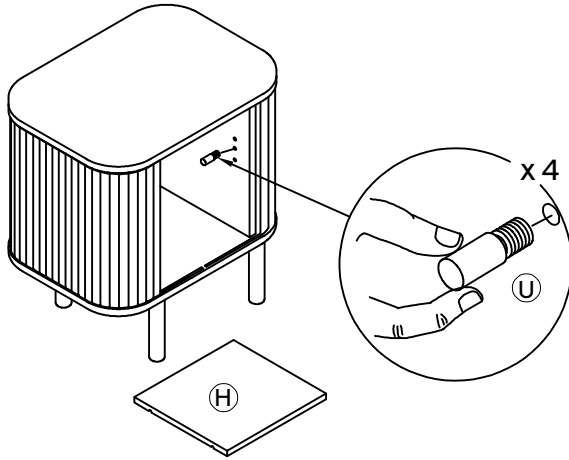
7



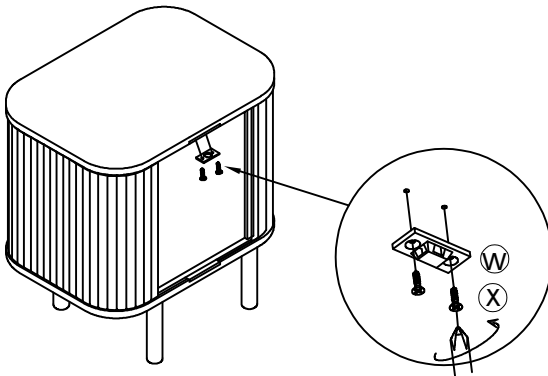
8



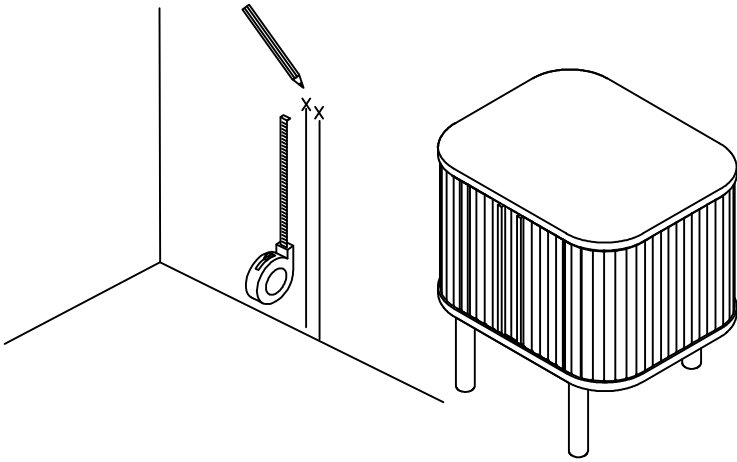
9



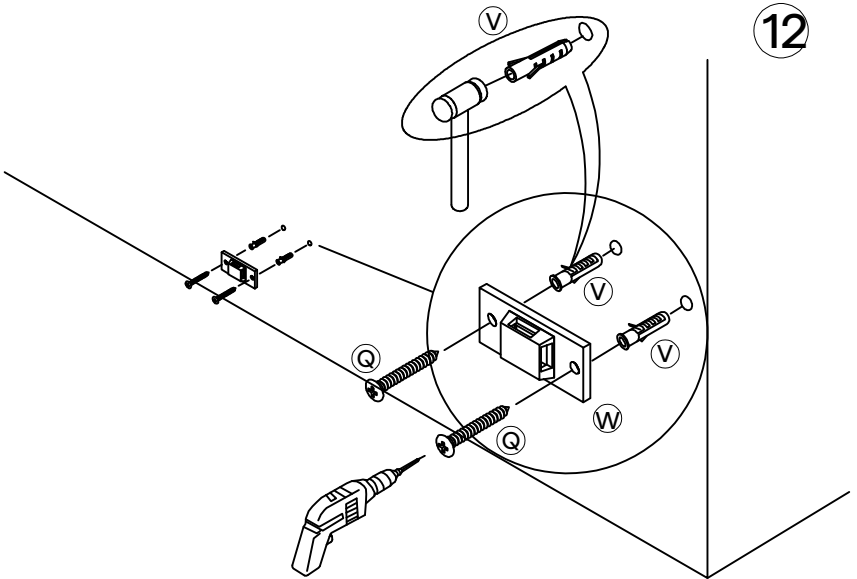
10



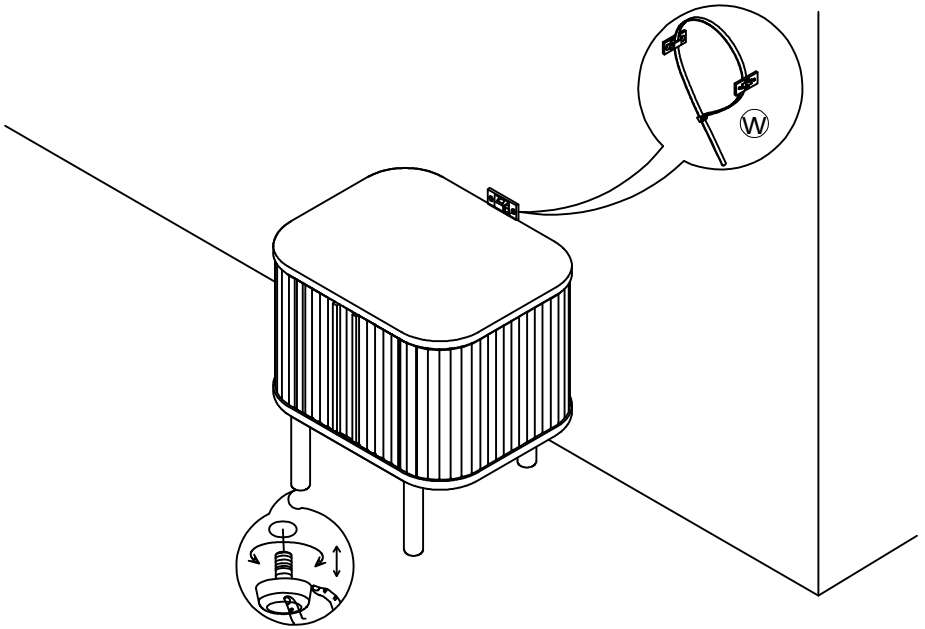
11

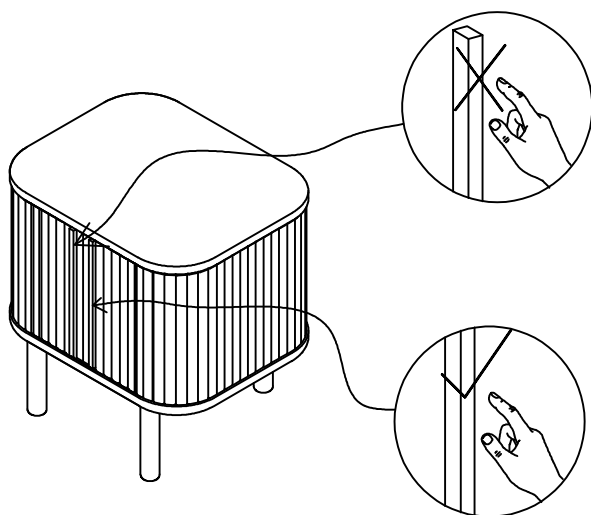


12

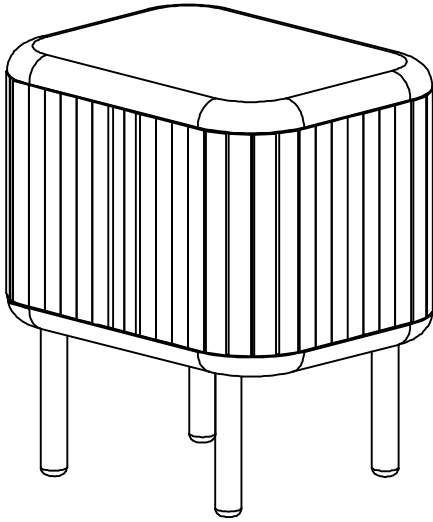


13





15



Kave

Julià Grup Furniture Solutions S.L.

B-17616277

Pol. Ind. Bosc d'en Cuca
C/ Tallers, 14. 17410 Sils, Spain
contact@kavehome.com



IT: PAP 22, Carta.
Verifica le disposizioni del tuo comune.