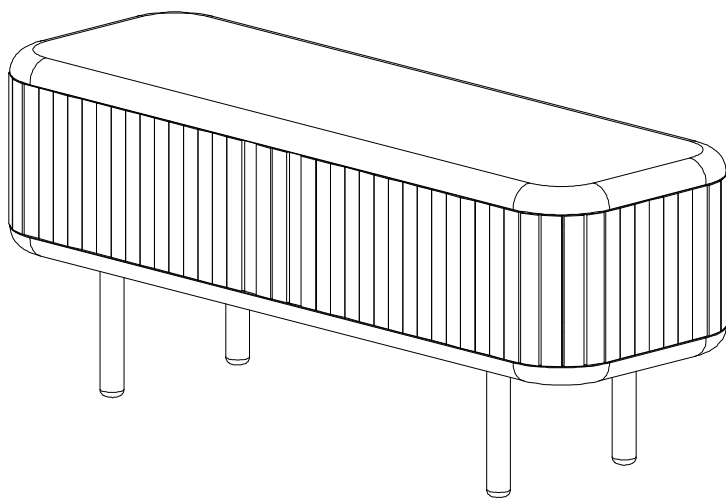
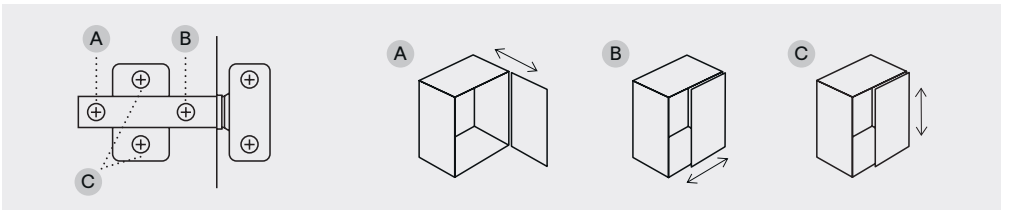
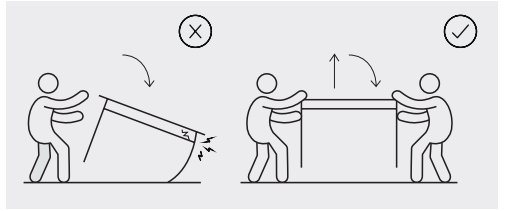
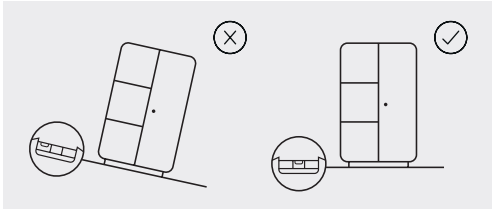
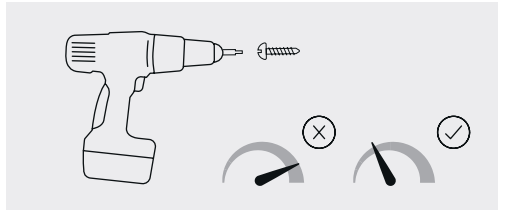
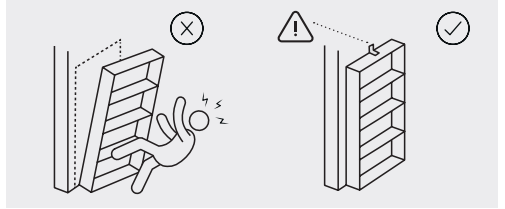
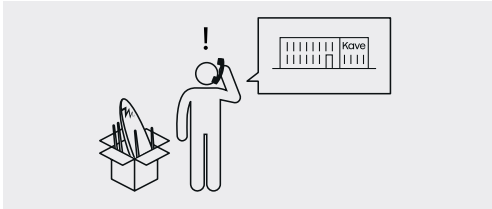
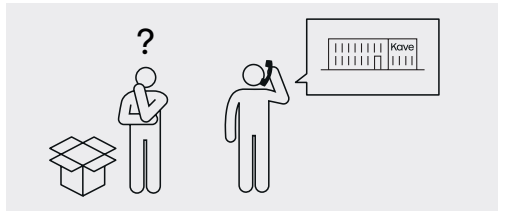
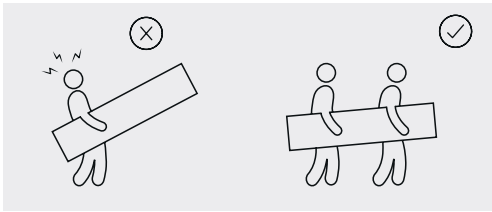


Mailen



Kave

ED01





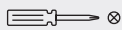
30 min



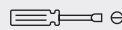
x1



x2



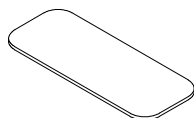
x1



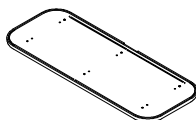
x1



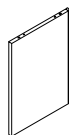
x1



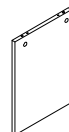
A x1



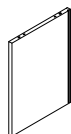
B x1



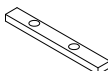
C x1



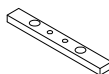
D x1



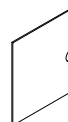
E x1



F x1



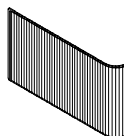
G x1



H x2



I x4
80X50X192



J x2



K x6



L x6



M x12
Ø8x30mm



N x6
Ø7x50mm



O x16
M6x16mm



P x4
M6x16mm



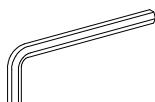
Q x2
Ø3.5x38mm



R x6



S x10



T x1
M4



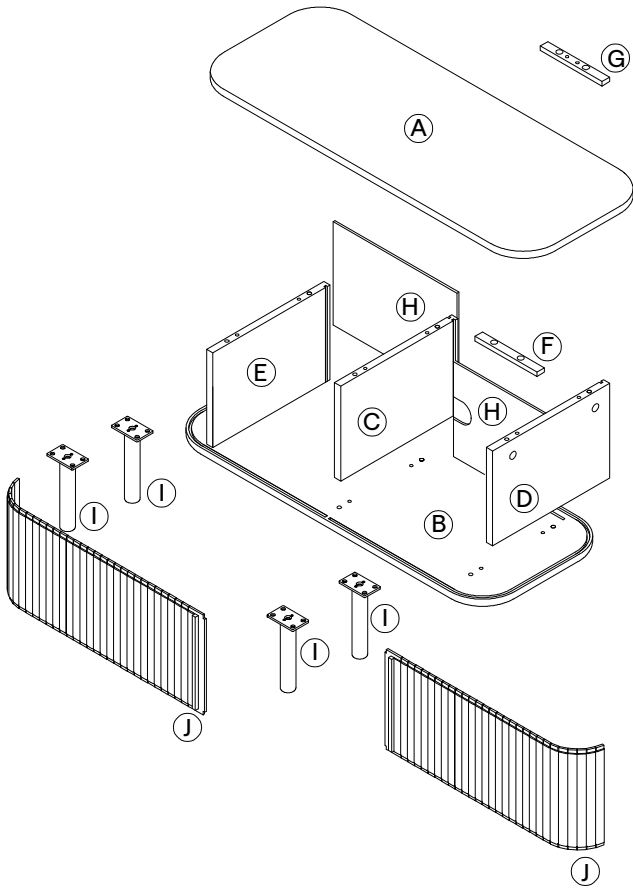
U x1



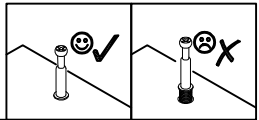
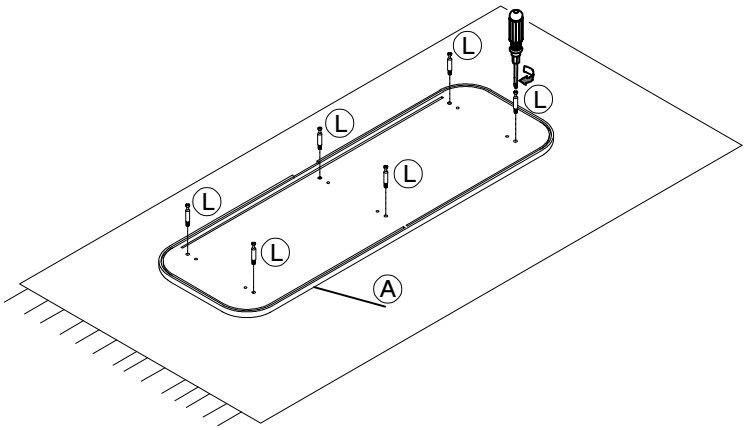
V x2
Ø8x38mm



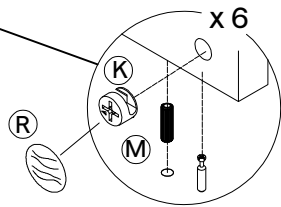
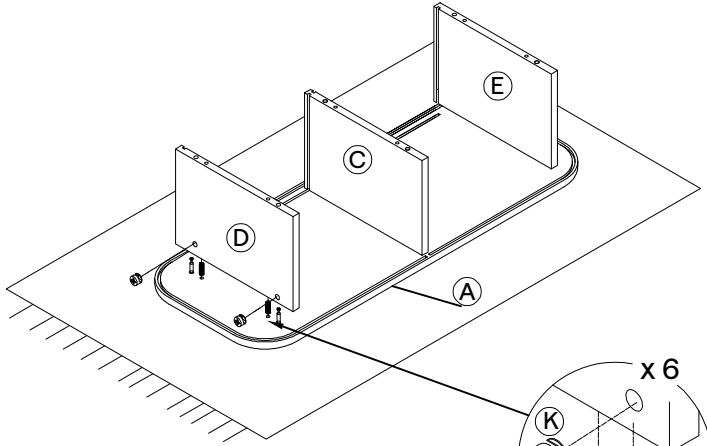
W x12
Ø3.5x16mm



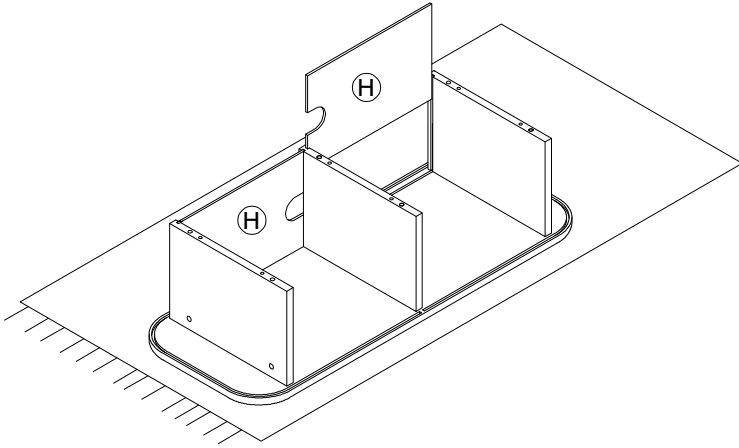
1



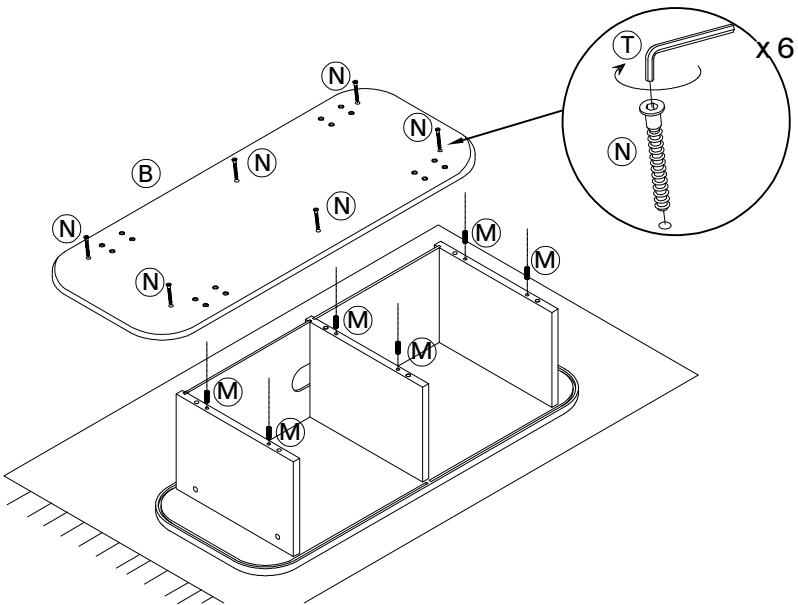
2



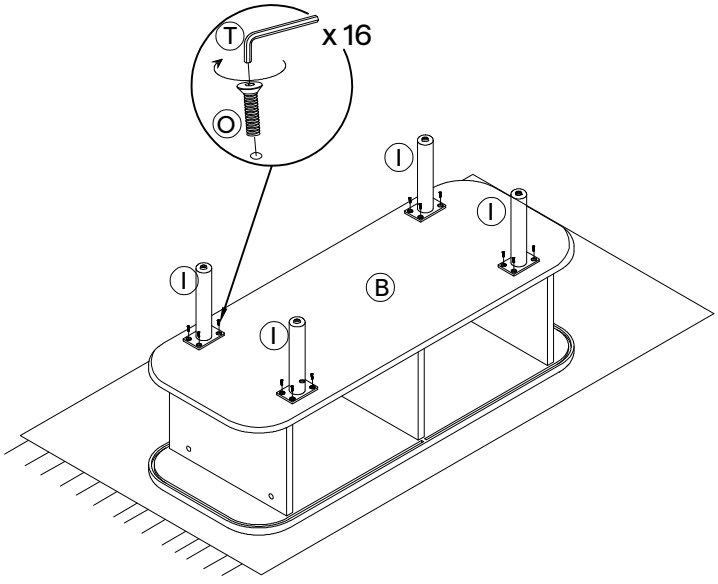
3



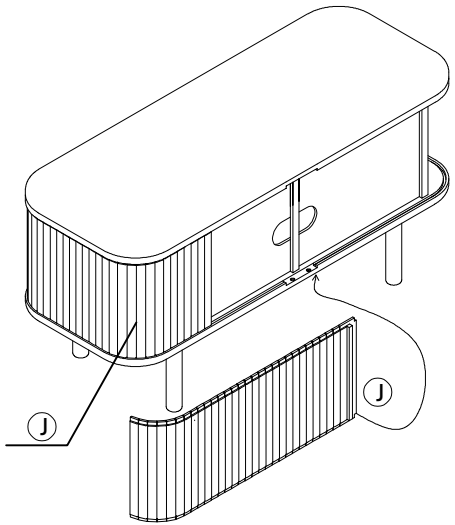
4



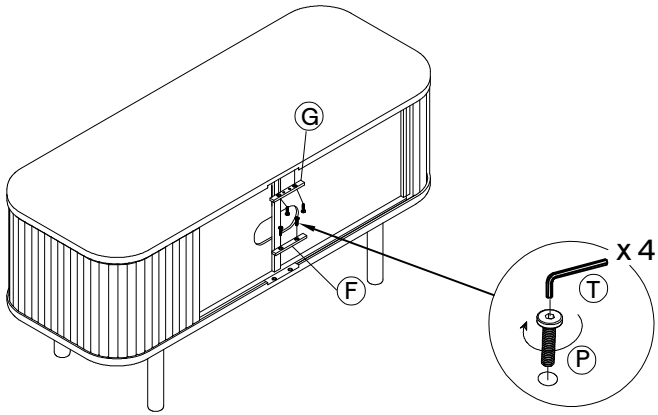
5



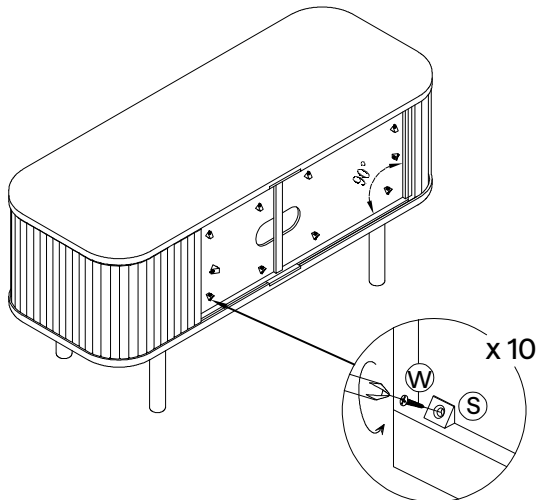
6



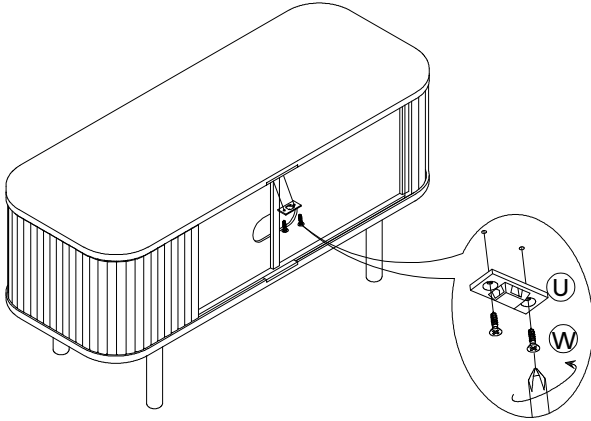
7



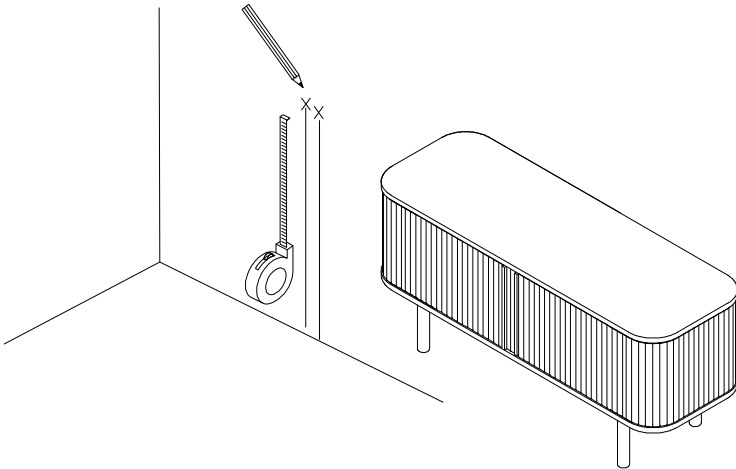
8



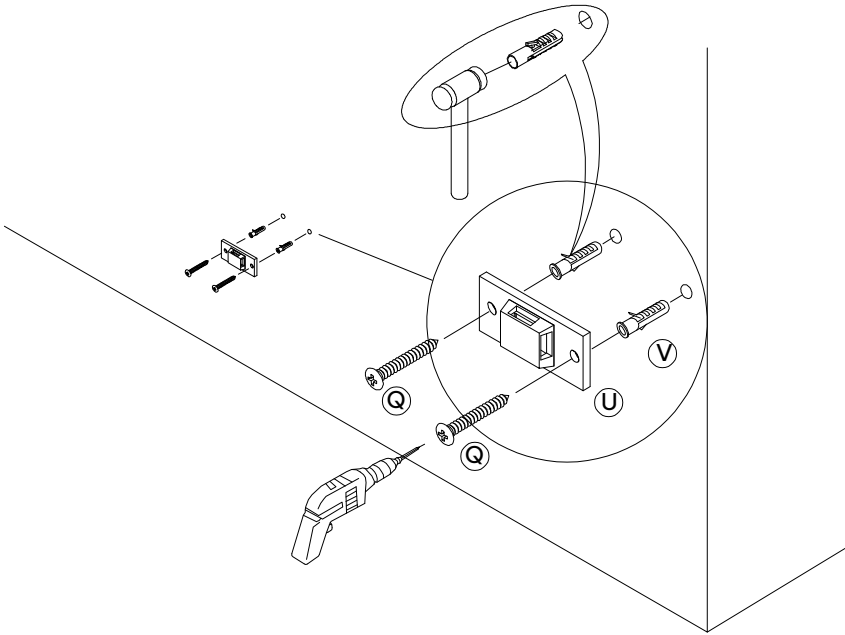
9



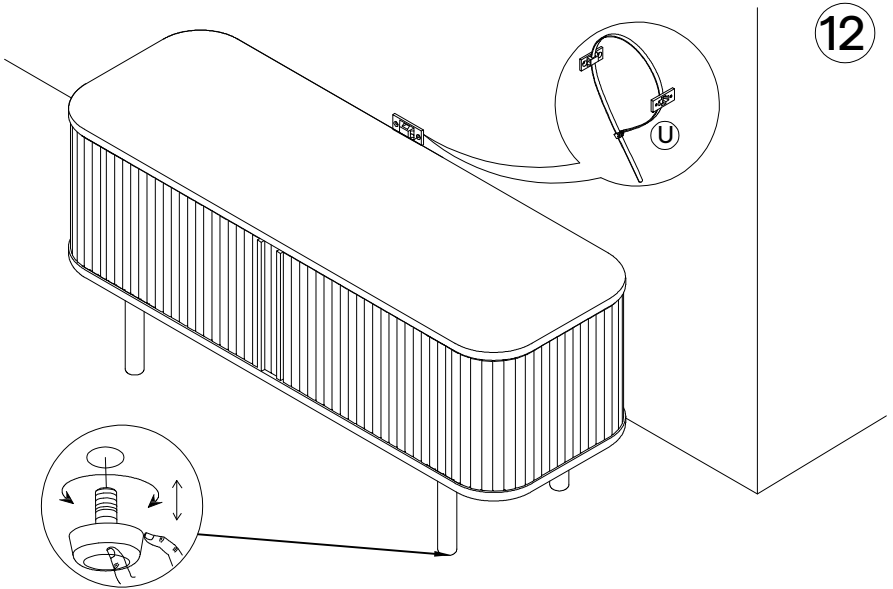
10



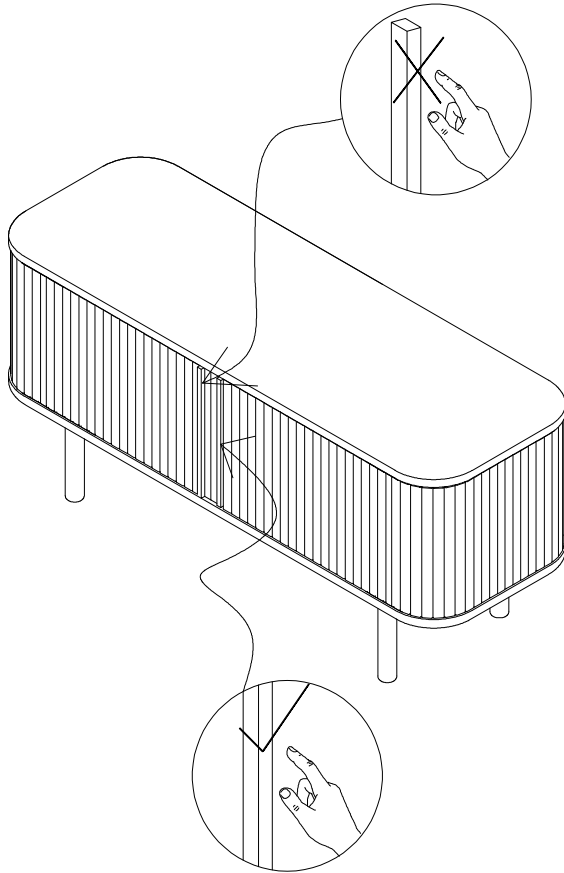
11

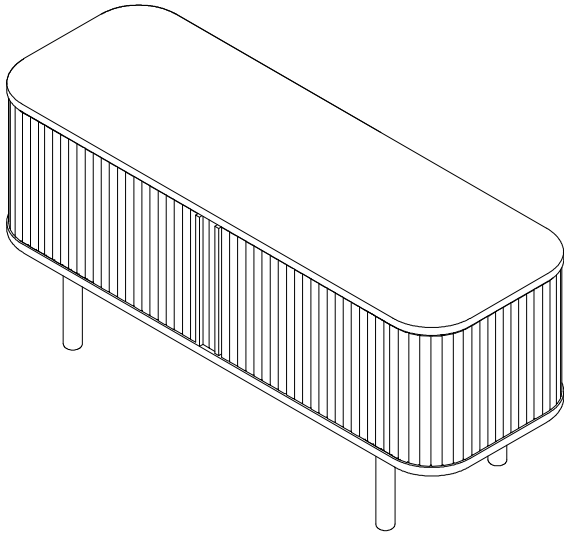


12



13





Kave

Julià Grup Furniture Solutions S.L.

B-17616277

Pol. Ind. Bosc d'en Cuca
C/ Tallers, 14. 17410 Sils, Spain
contact@kavehome.com



IT: PAP 22, Carta.
Verifica le disposizioni del tuo comune.