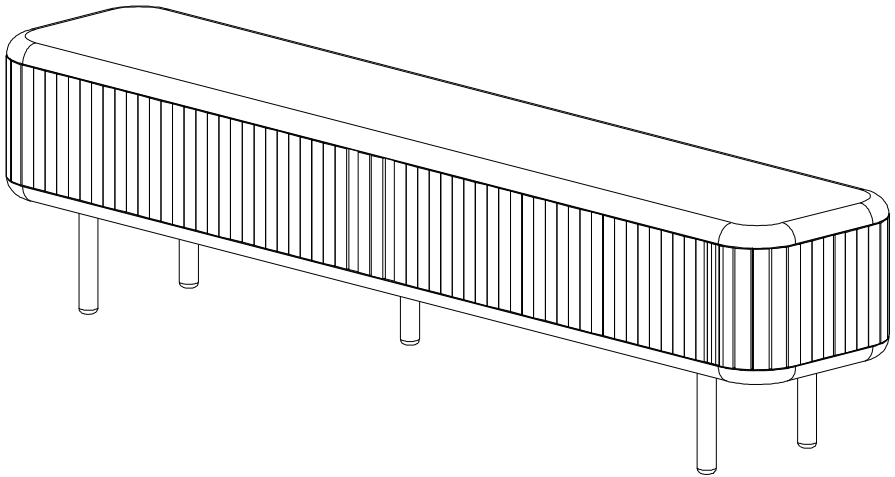
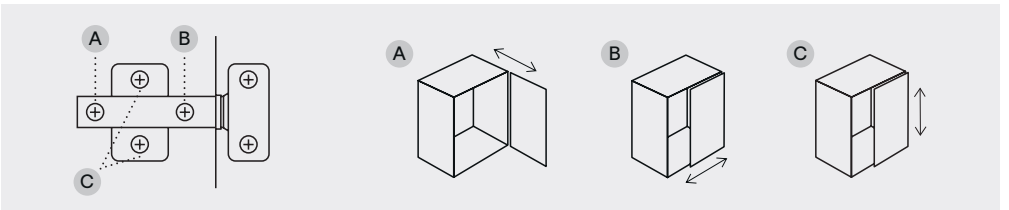
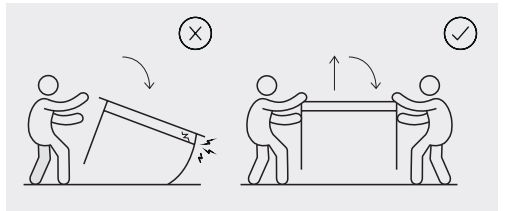
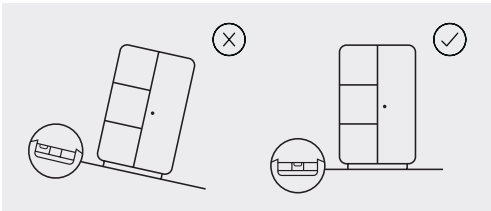
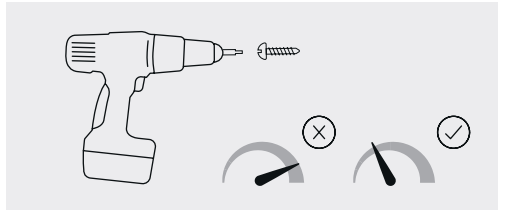
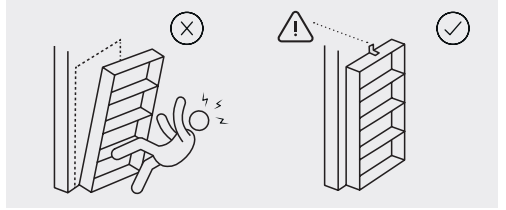
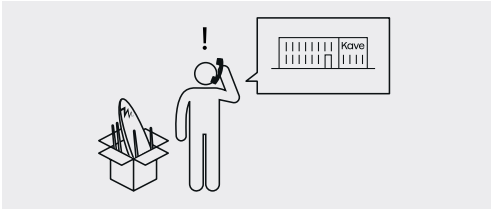
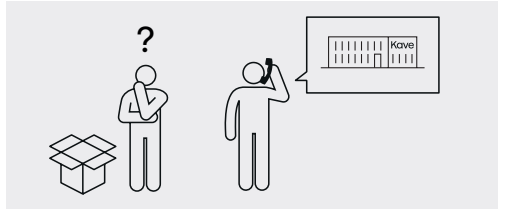
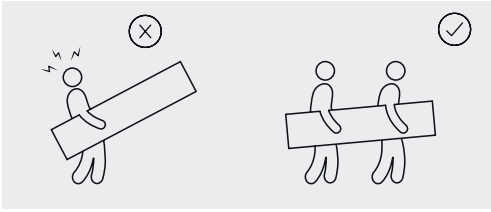


Mailen



Kave

ED01





30 min



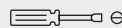
x2



x2



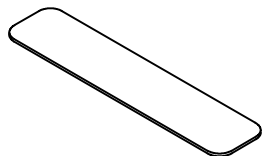
x1



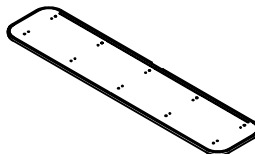
x1



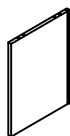
x1



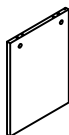
A x1



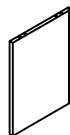
B x1



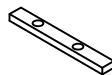
C x3



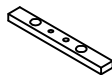
D x1



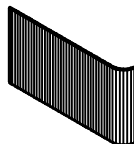
E x1



F x1



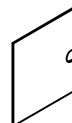
G x1



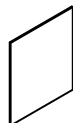
H x2



I x5
80X50X192



J x2



K x2



K x 10



L x 10



M x 20
Ø8x30mm



N x 10
Ø7x50mm



O x 20
M6x16mm



P x 4
M6x16mm



Q x 2
Ø3.5x38mm



R x 10



S x 20



T x 1
M4



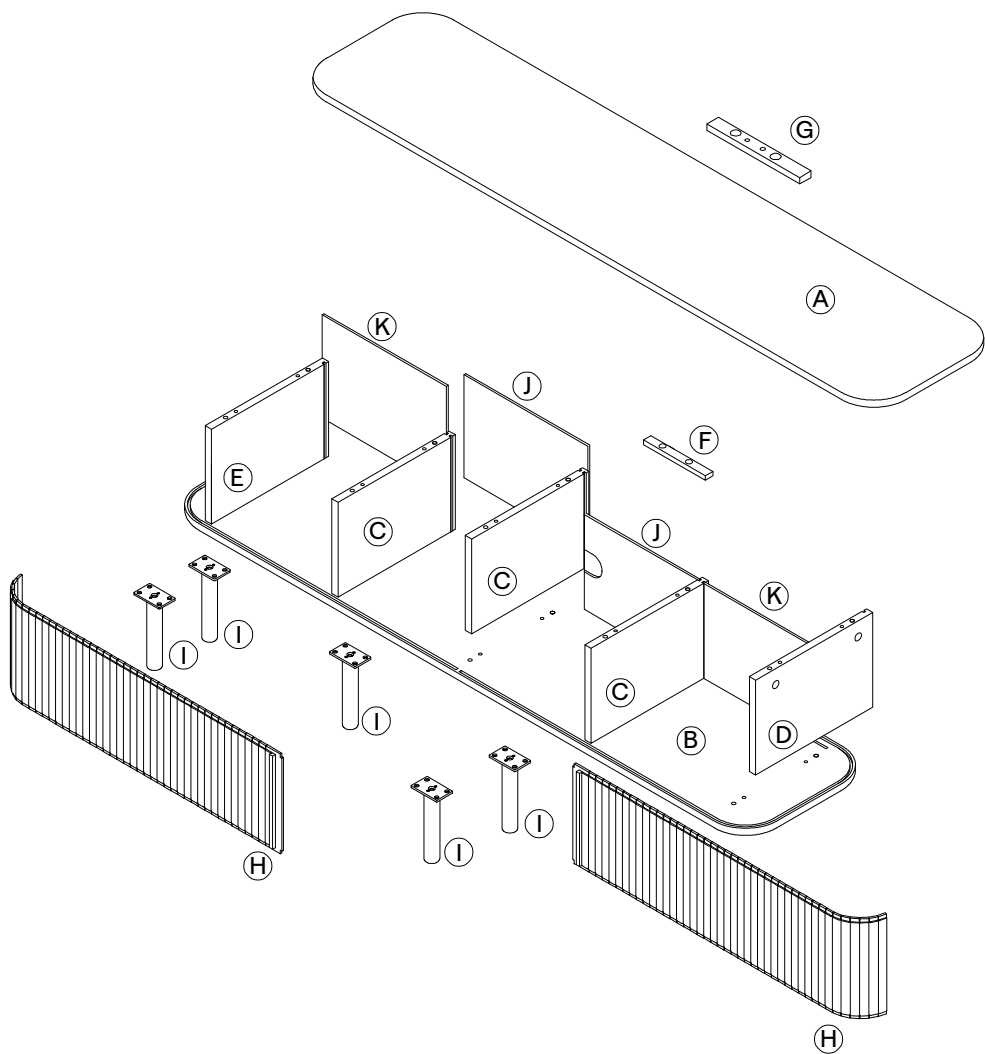
U x 1



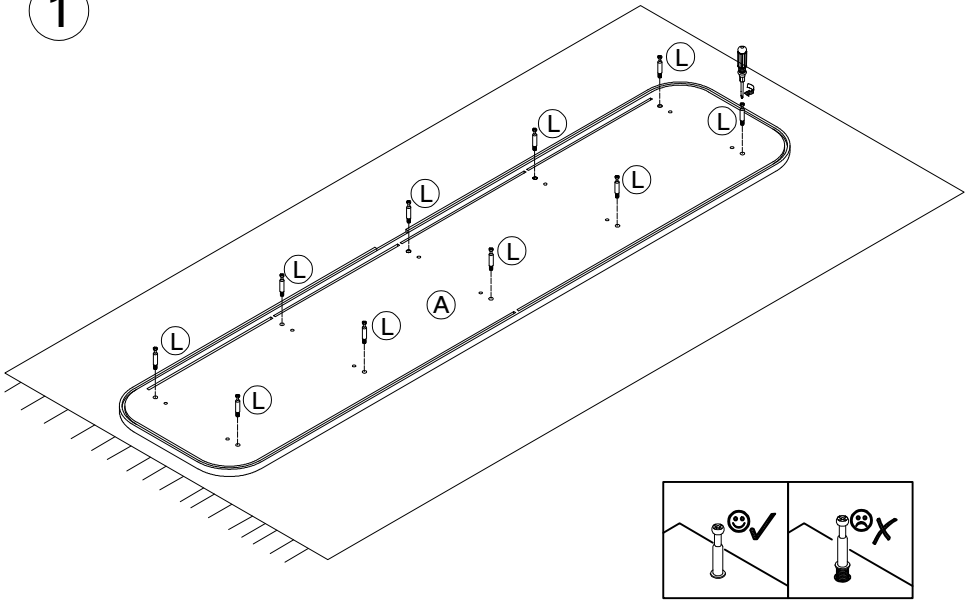
V x 2
Ø8x38mm



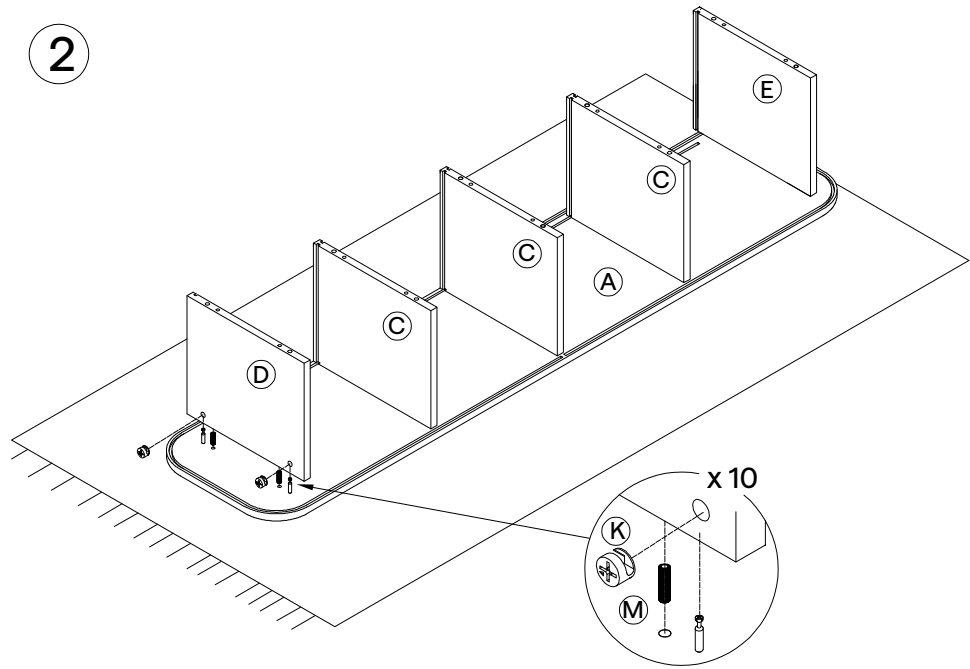
W x 22
Ø3.5x16mm



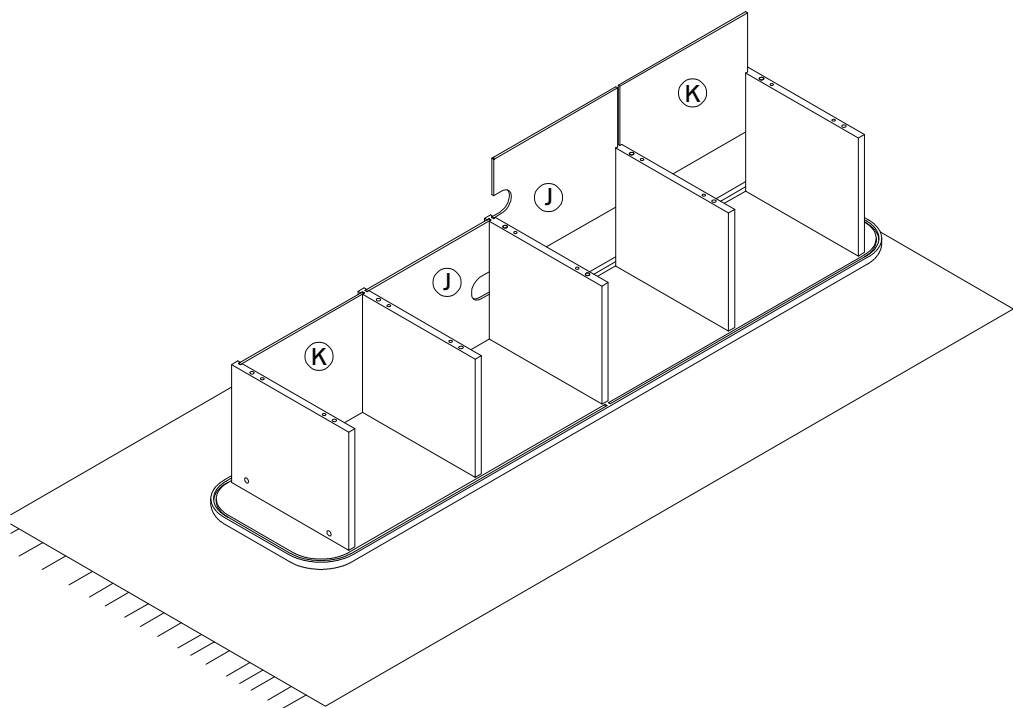
1



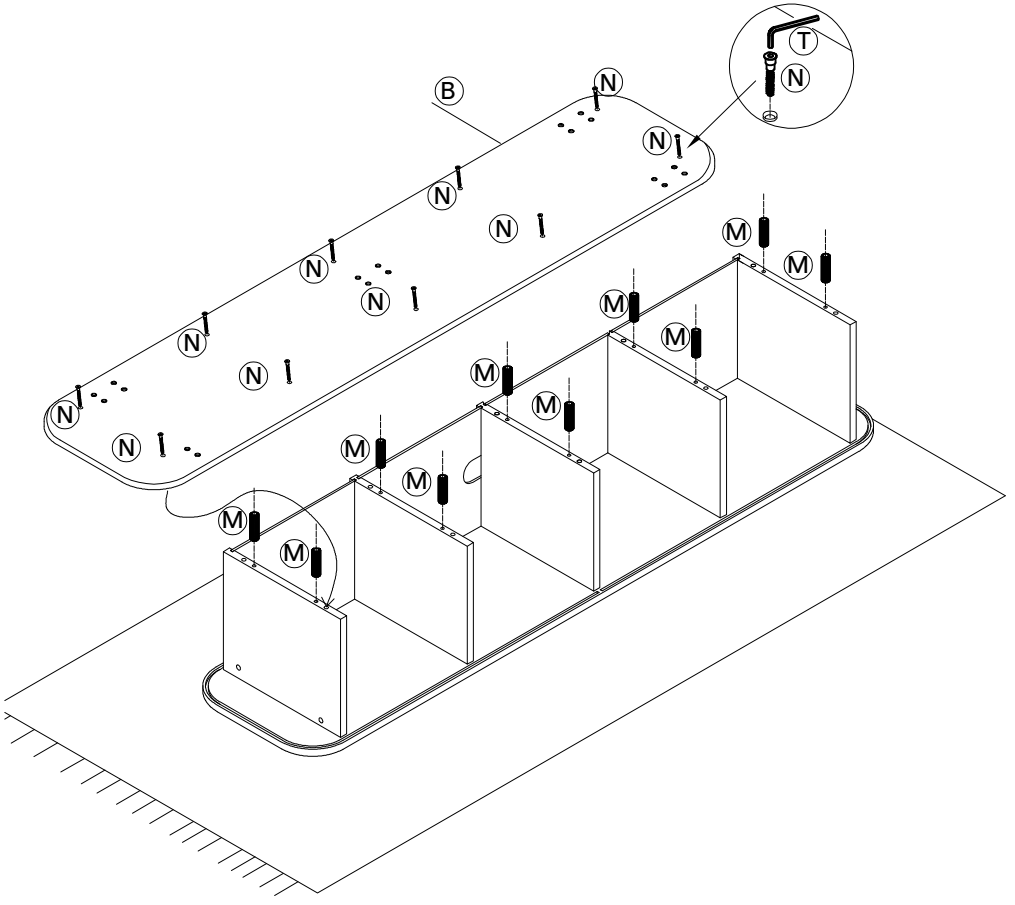
2

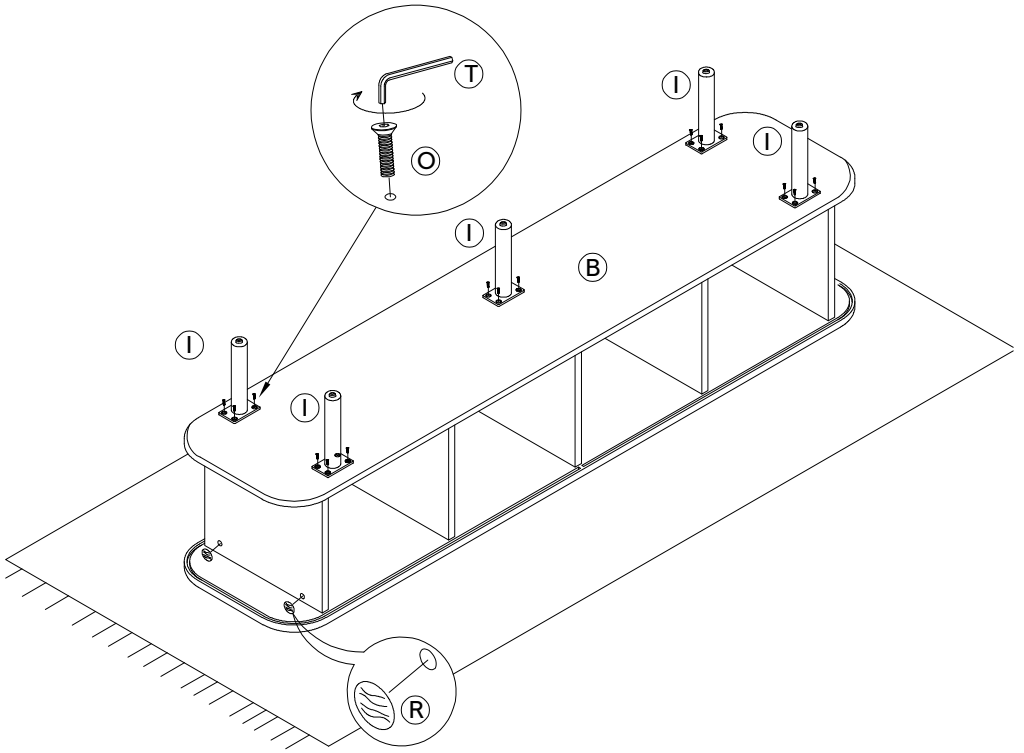


3

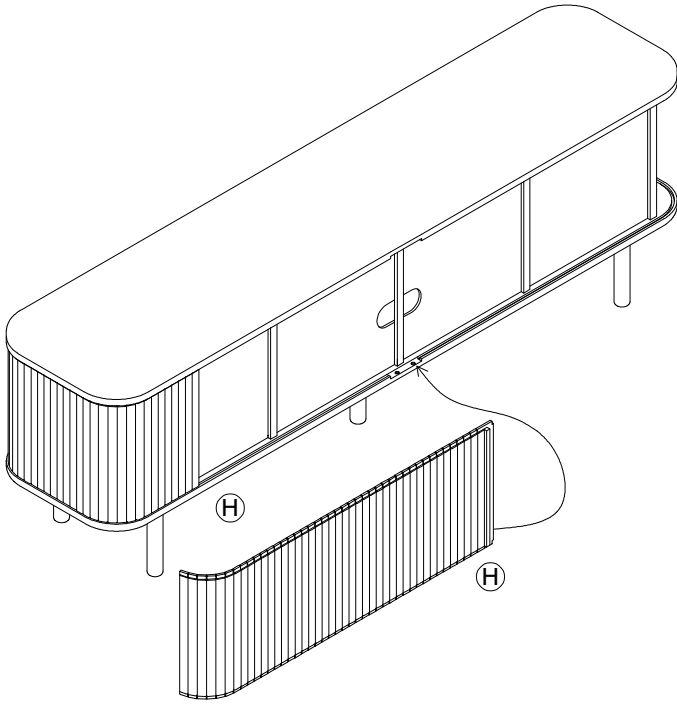


4

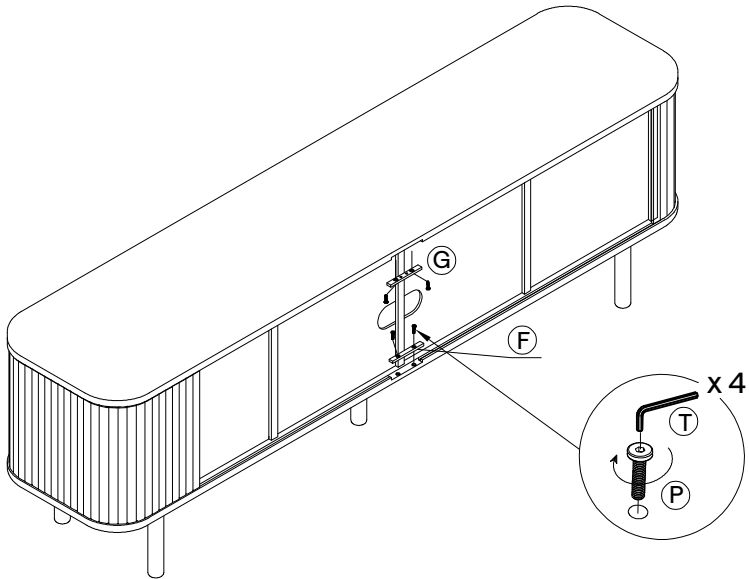




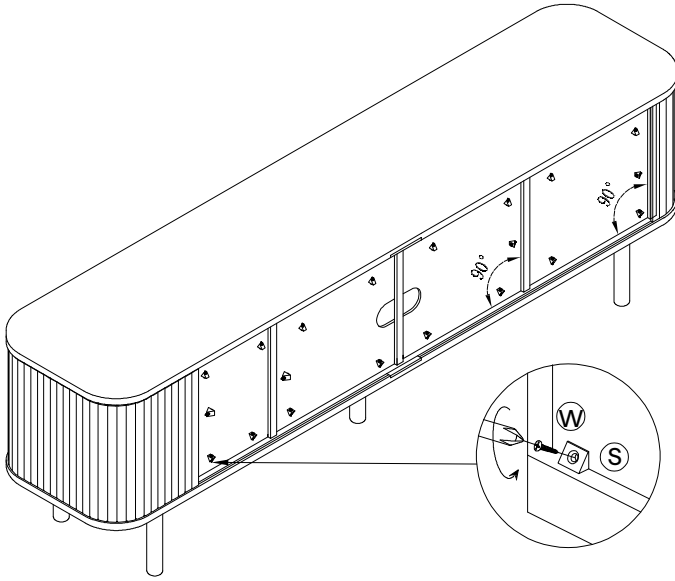
6



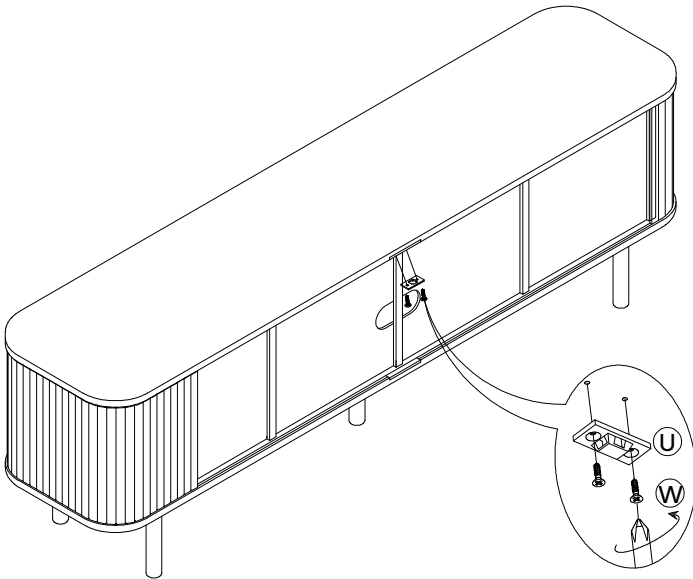
7



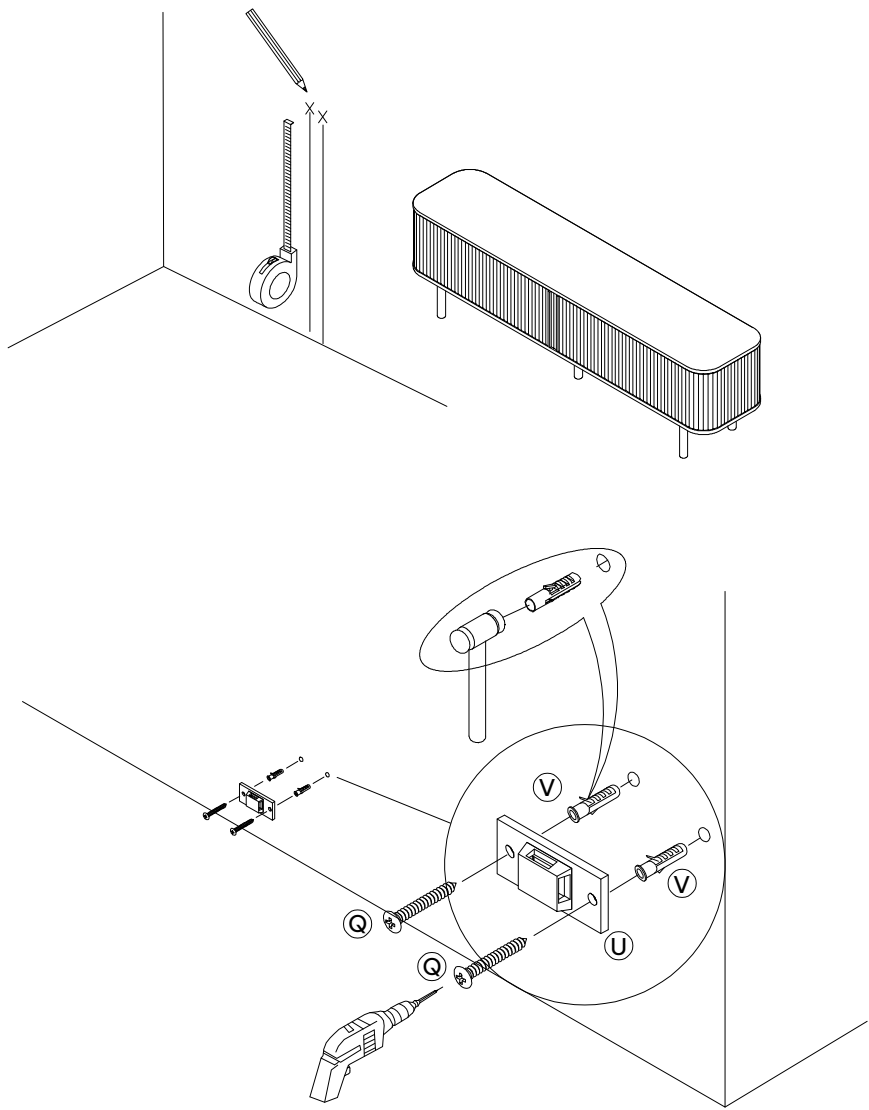
8

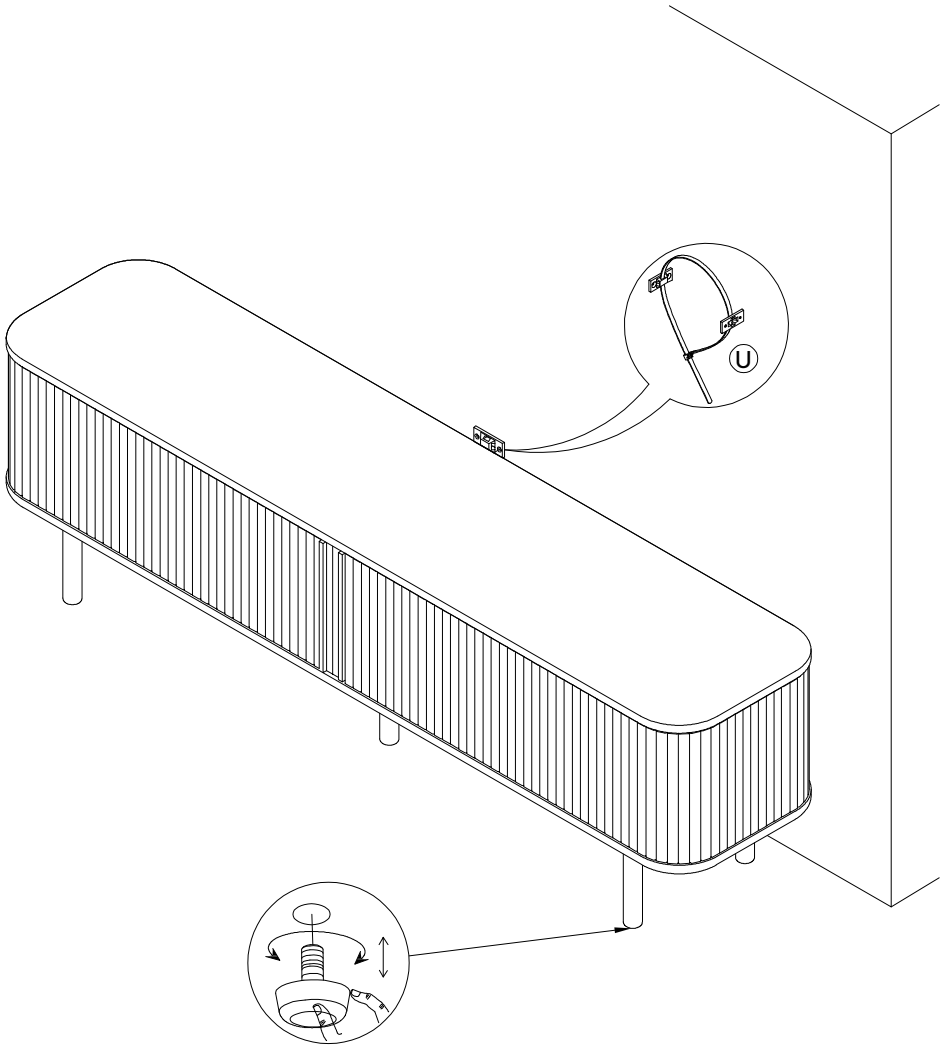


9

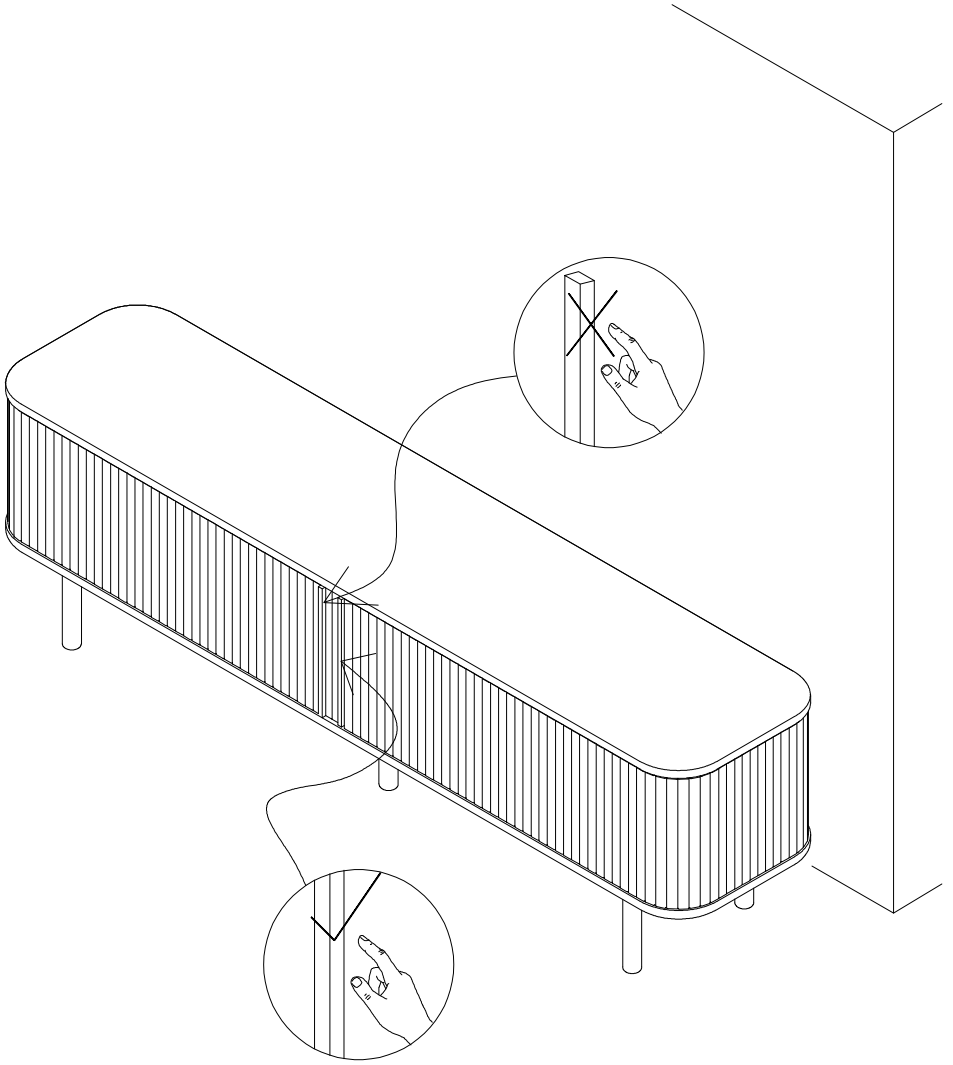


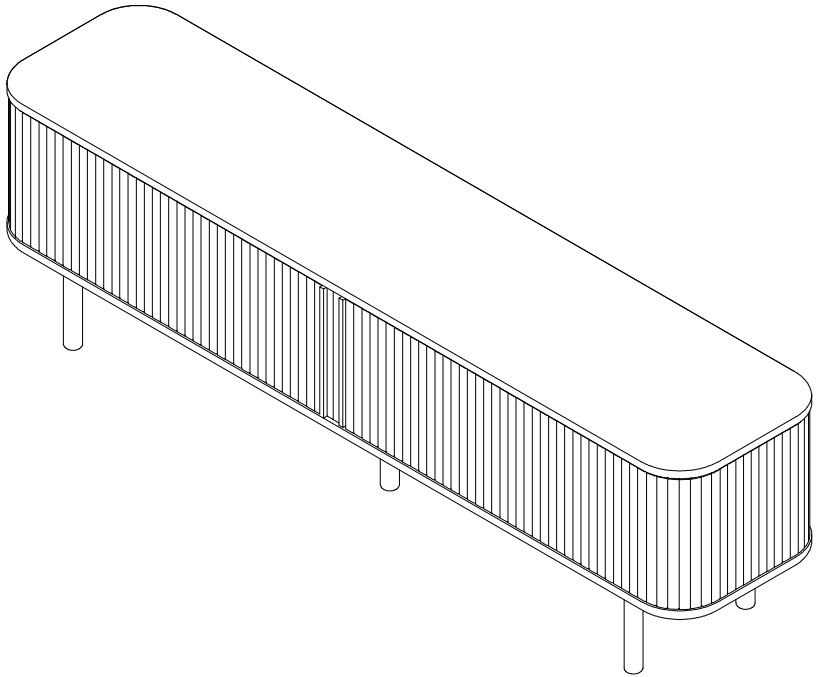
10





12





Kave

Julià Grup Furniture Solutions S.L.

B-17616277

Pol. Ind. Bosc d'en Cuca
C/ Tallers, 14. 17410 Sils, Spain
contact@kavehome.com



IT: PAP 22, Carta.
Verifica le disposizioni del tuo comune.