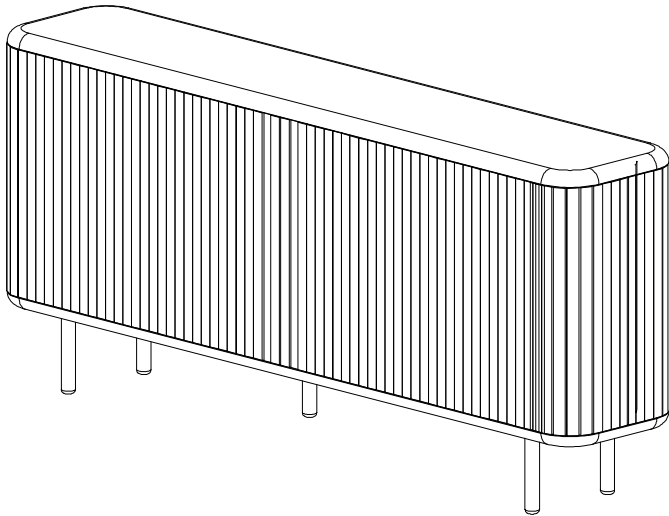
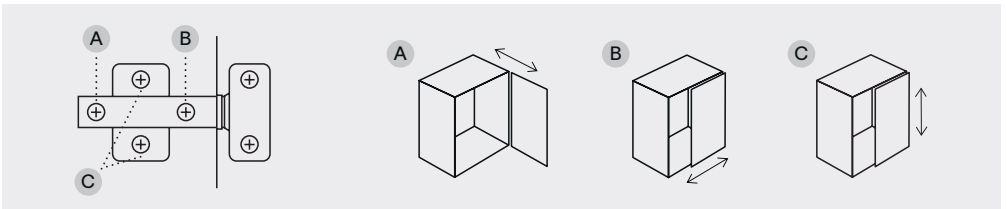
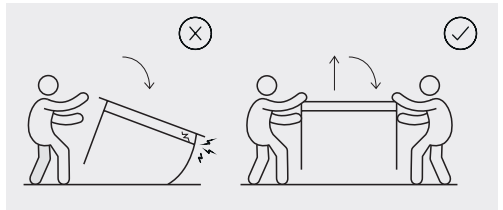
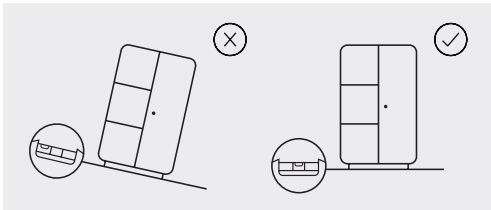
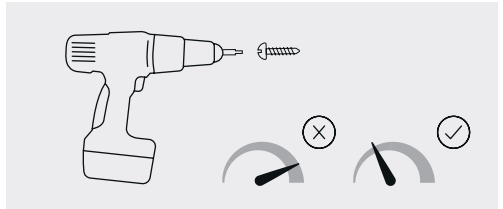
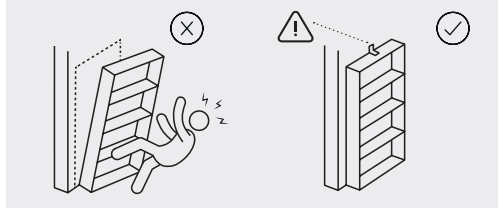
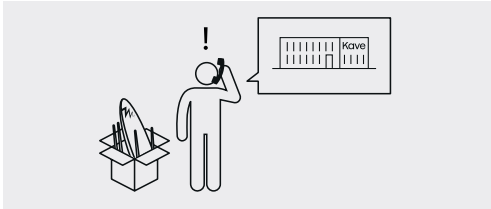
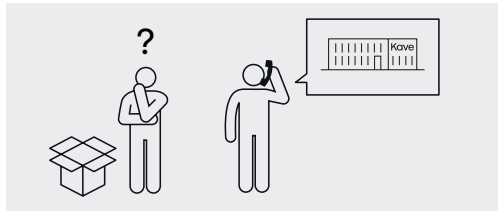
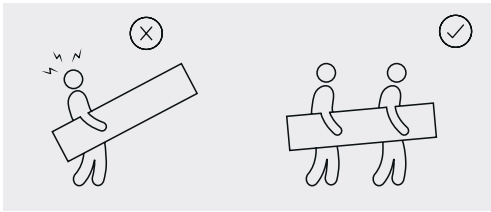


# Mailen



Kave

ED01





30 min



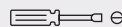
x2



x2



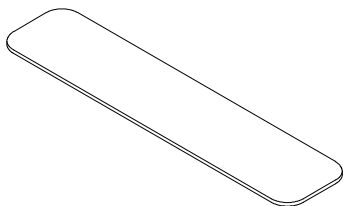
x1



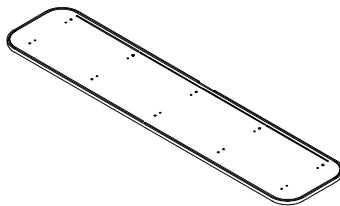
x1



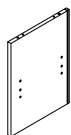
x1



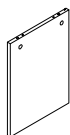
A x1



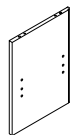
B x1



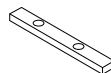
C x3



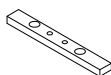
D x1



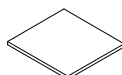
E x1



F x1



G x1



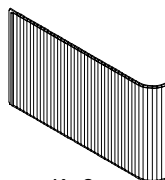
H x4



I x5  
80x50x192



J x4



K x2



L x10



M x10



N x20  
Ø8x30



O x10  
7x50mm



P x20  
M6x16mm



Q x4  
M6x16mm



R x2  
Ø3.5x38mm



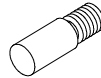
S x10



T x20



U x1  
M4



V x16  
Ø6 x19mm



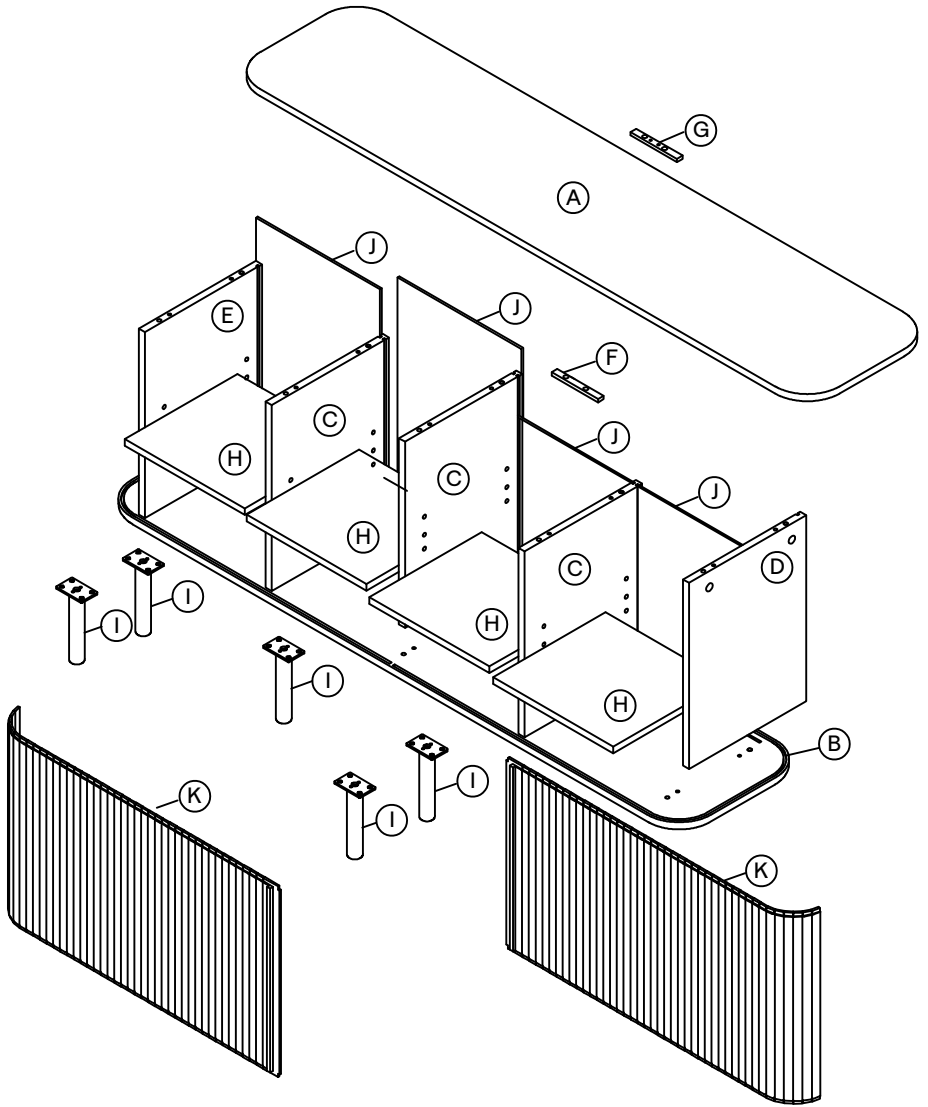
W x2  
Ø8 x38mm



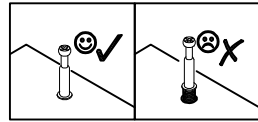
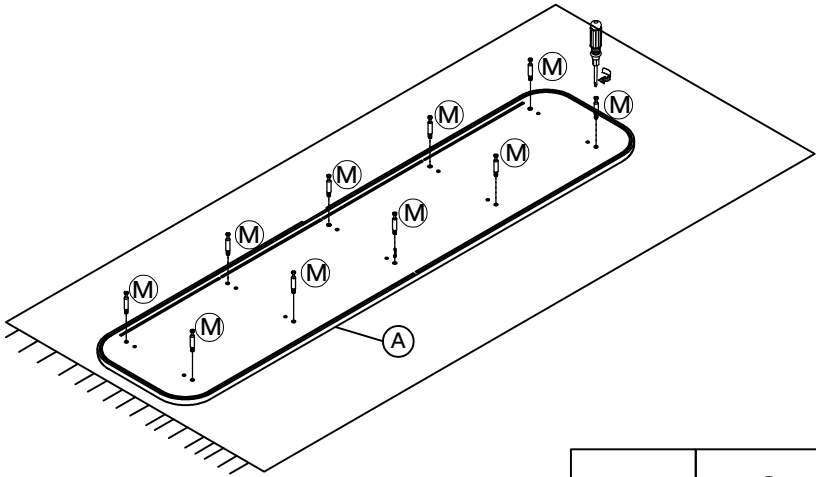
X x1



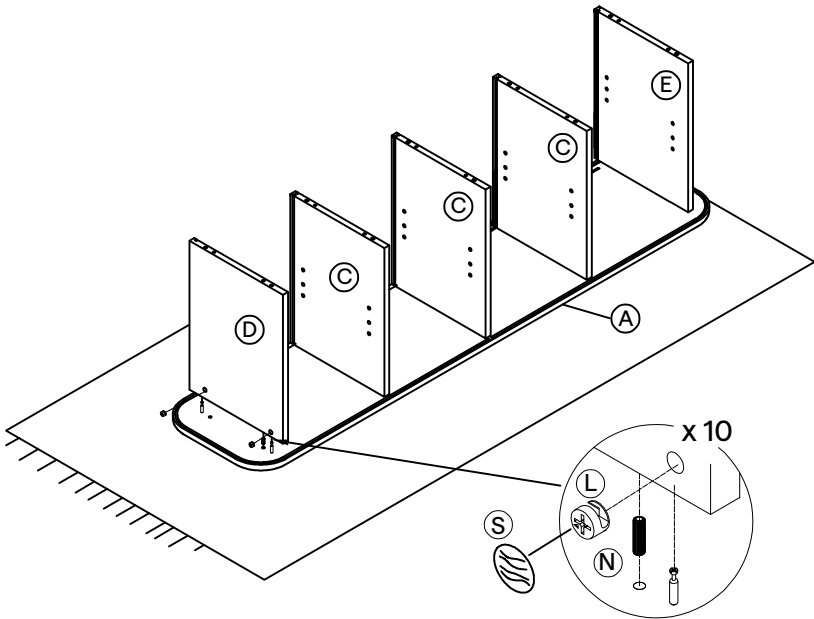
Y x22  
3.5 x16mm



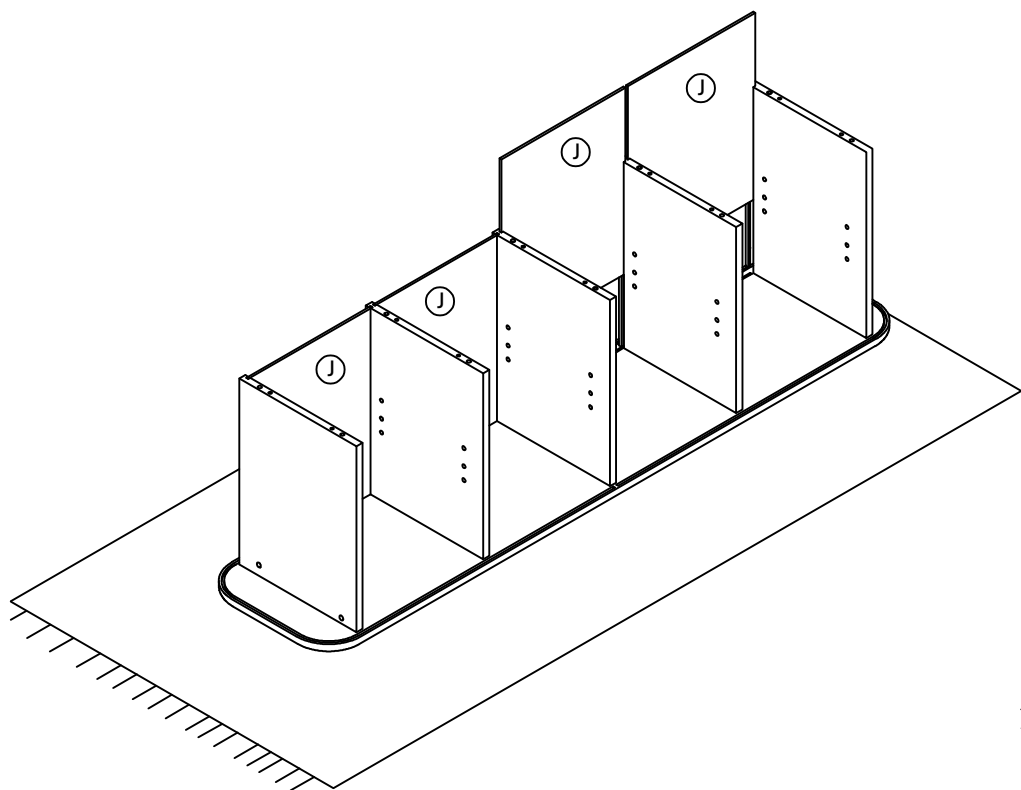
1



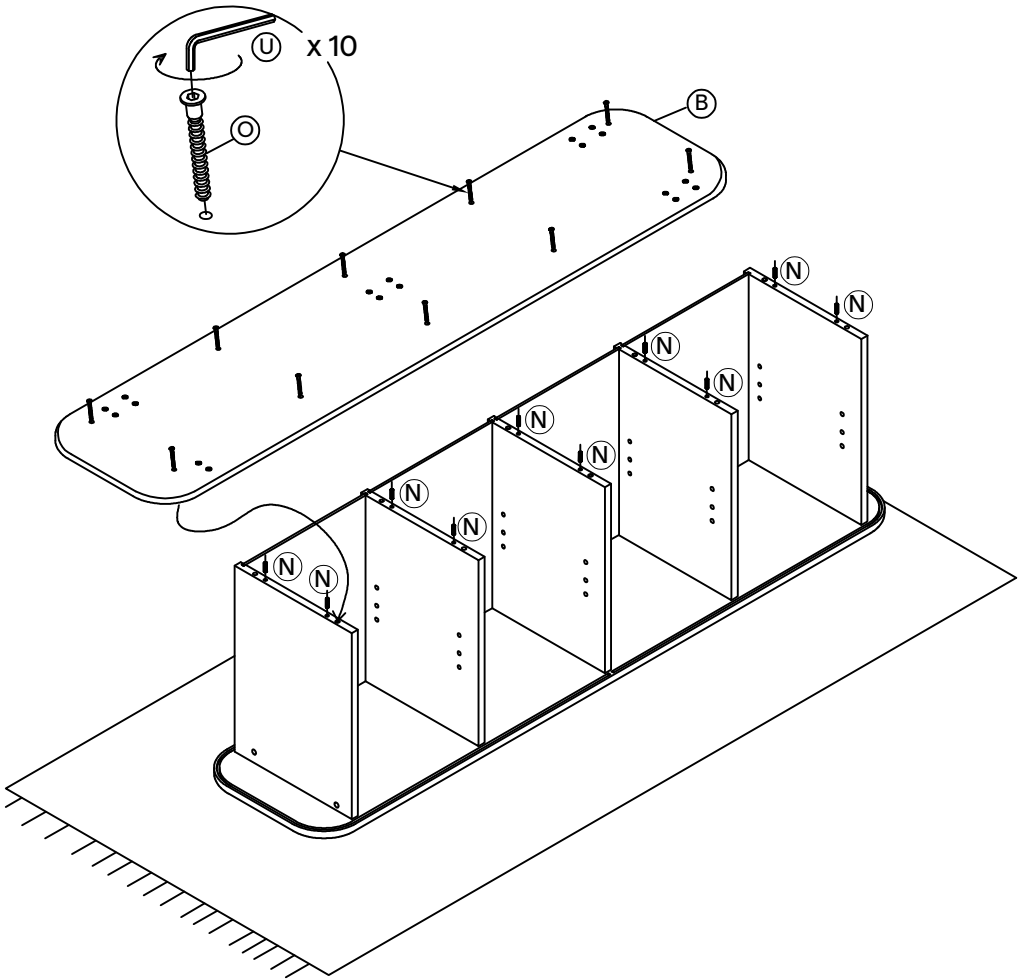
2

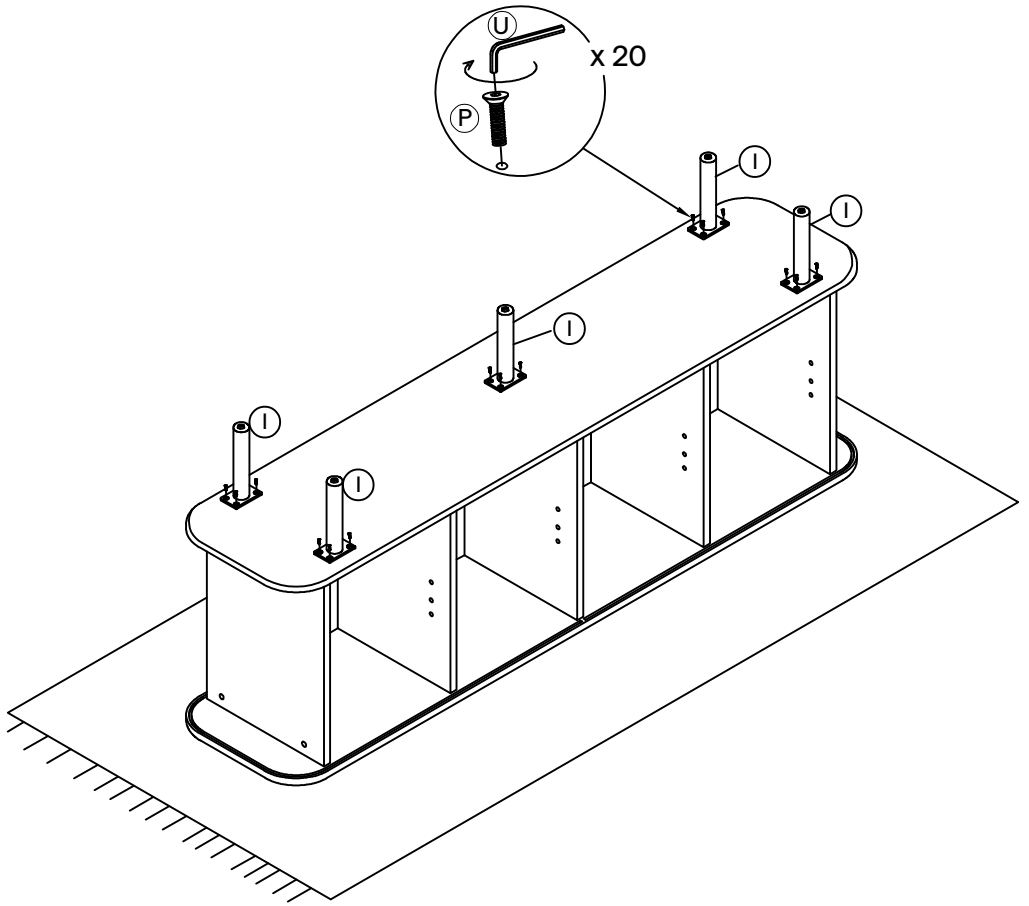


3

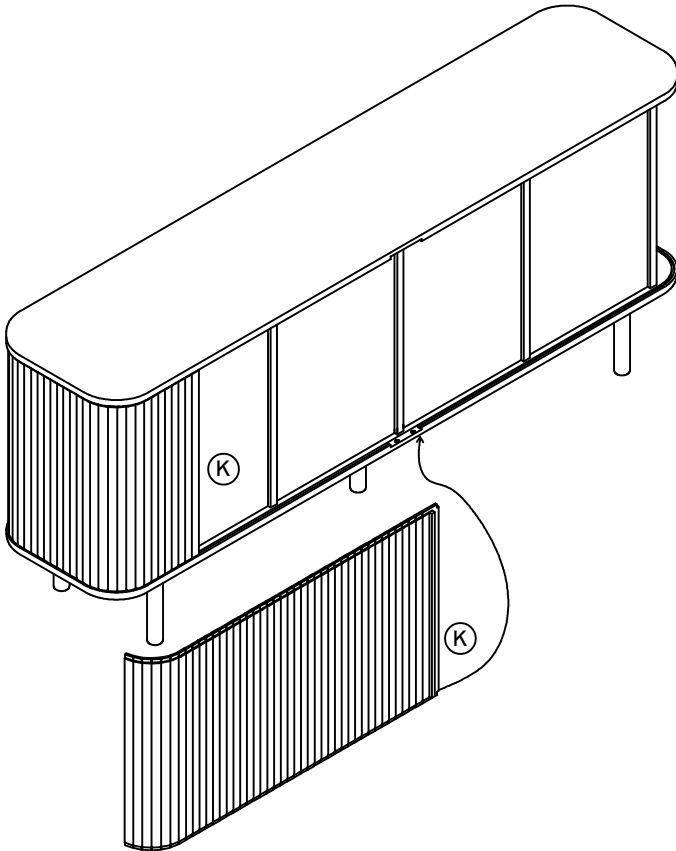


4

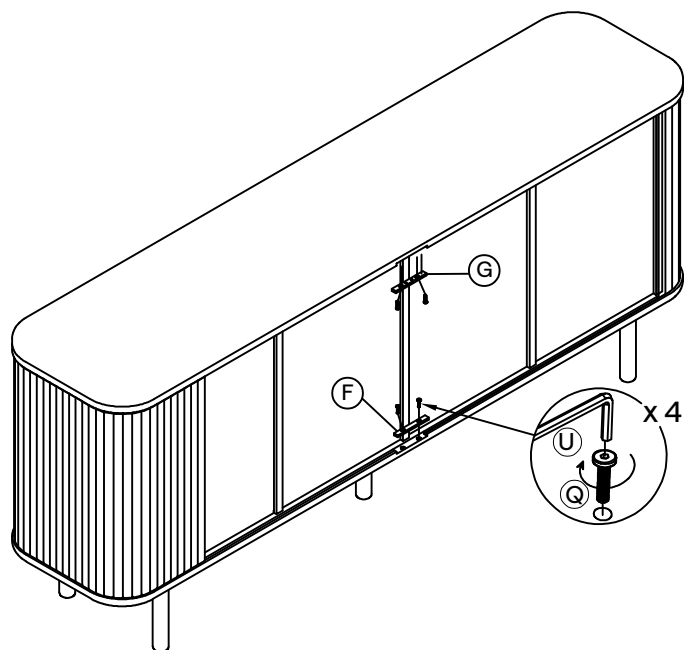




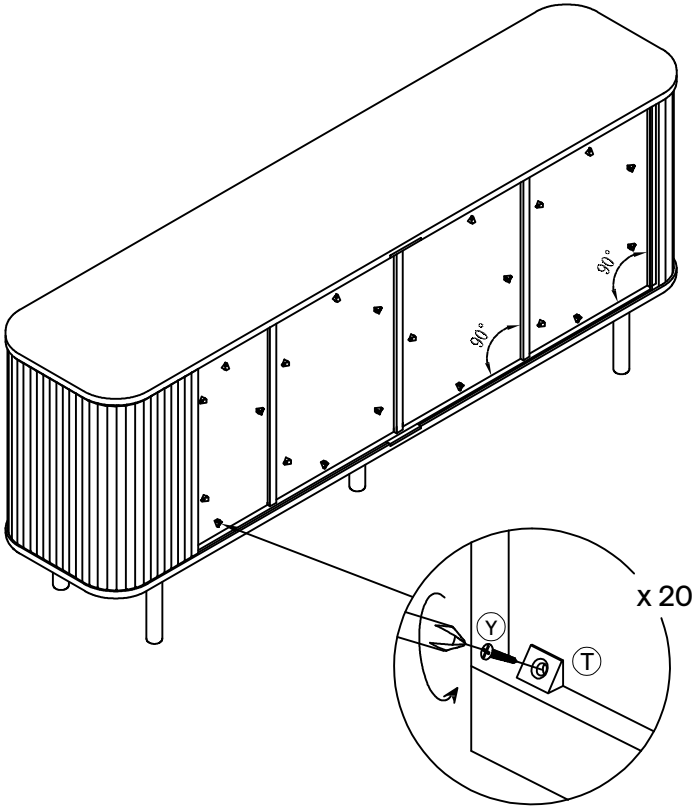
6

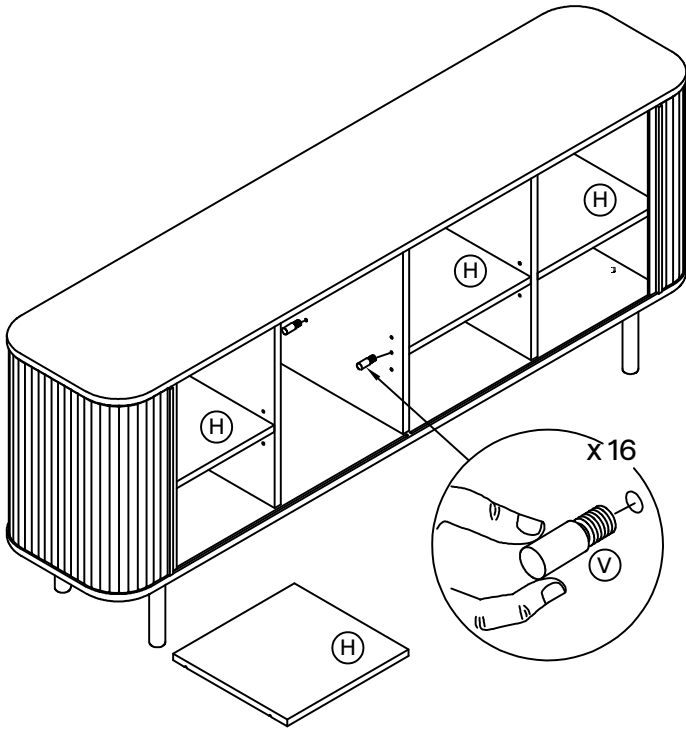


7

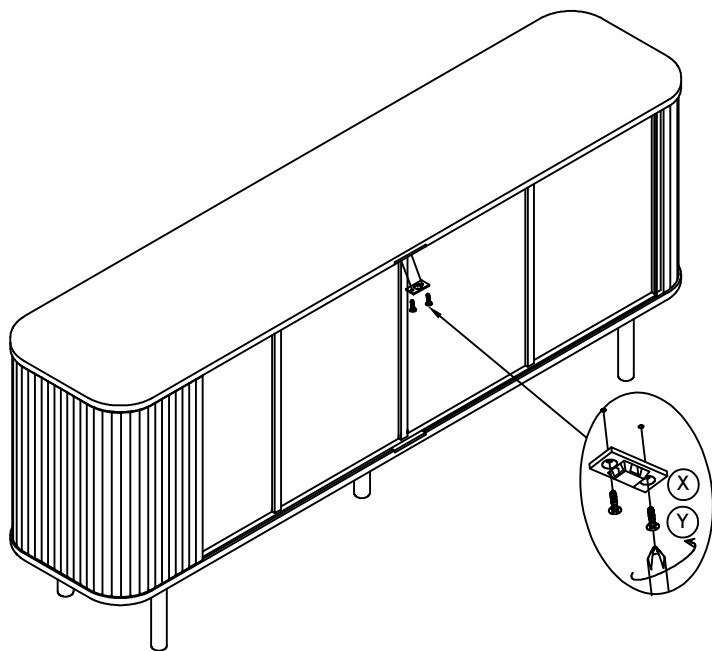


8

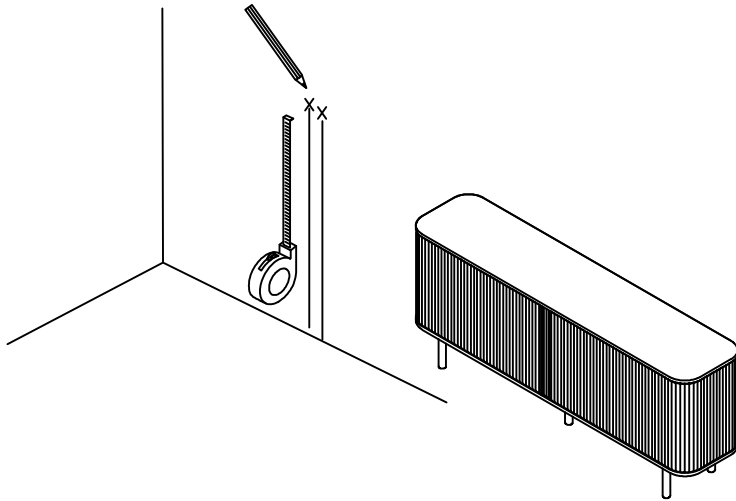




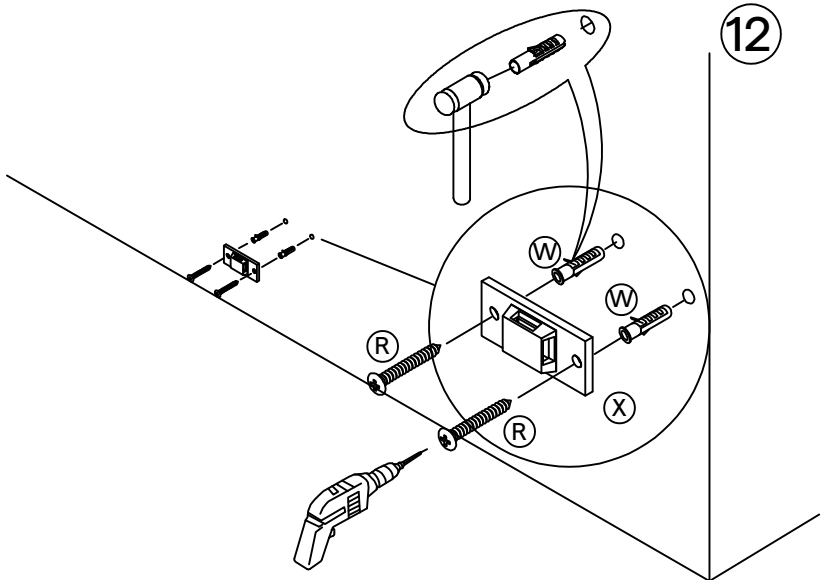
10



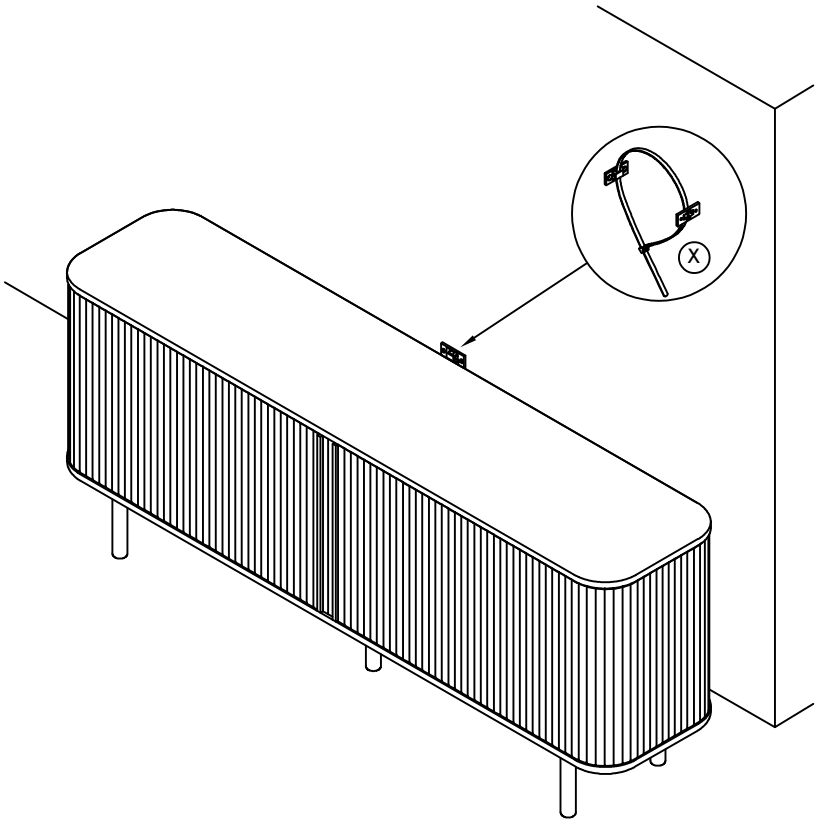
11

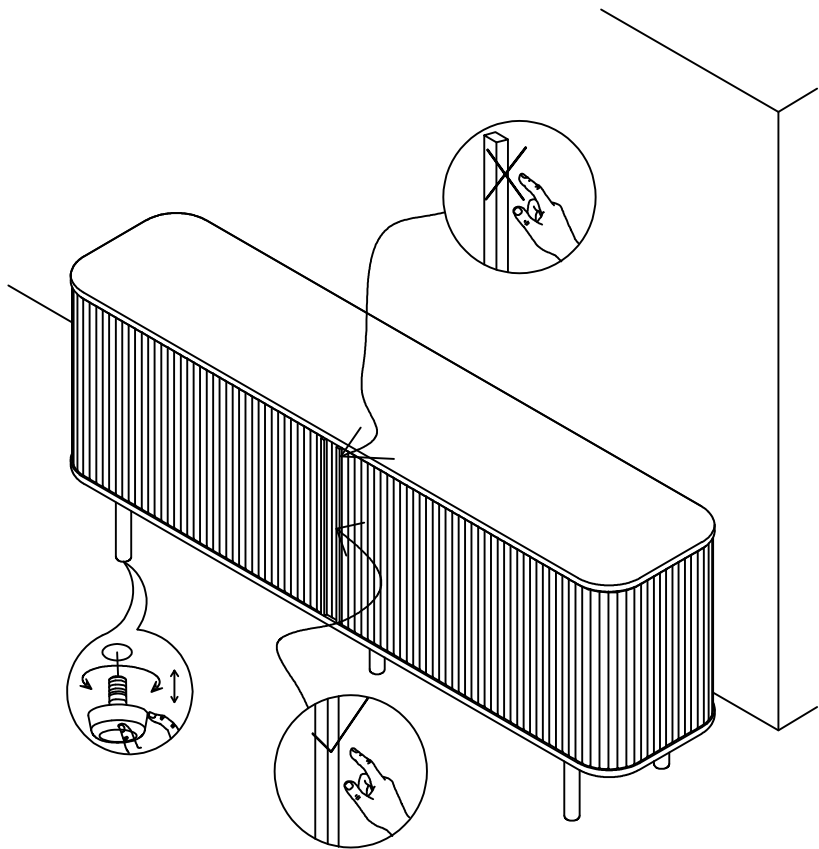


12

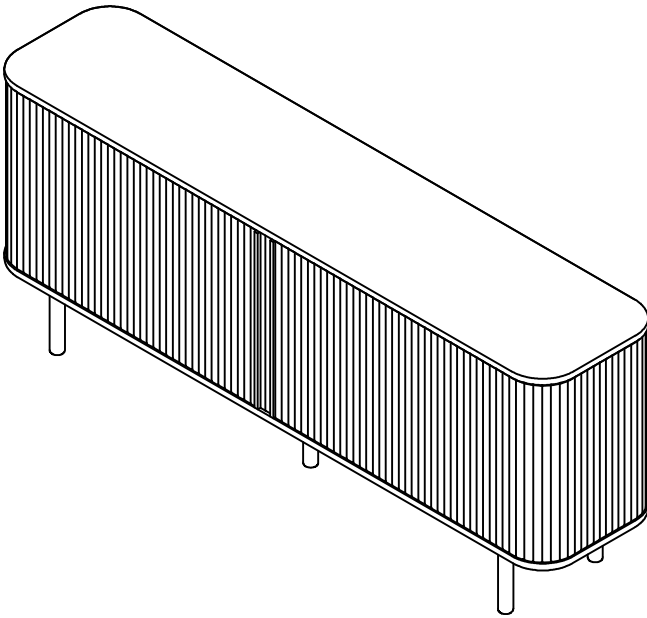


13





15





# Kave

**Julià Grup Furniture Solutions S.L.**

B-17616277

Pol. Ind. Bosc d'en Cuca  
C/ Tallers, 14. 17410 Sils, Spain  
contact@kavehome.com



IT: PAP 22, Carta.  
Verifica le disposizioni del tuo comune.