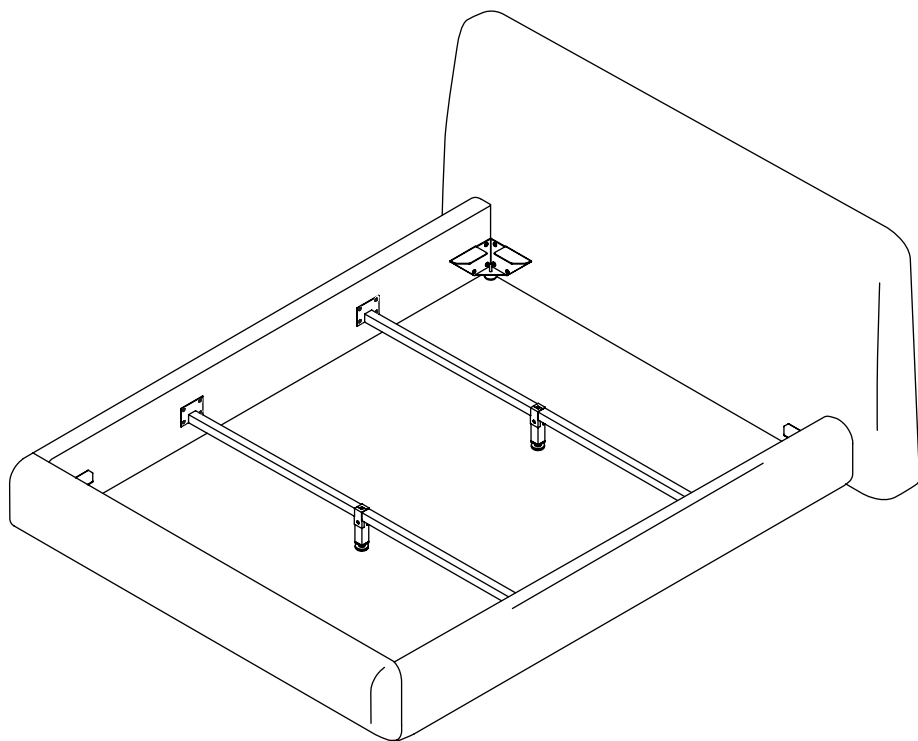
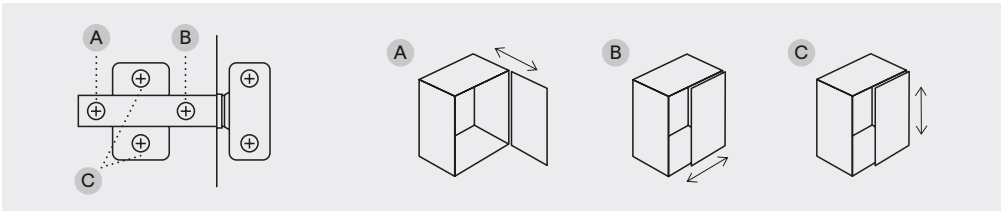
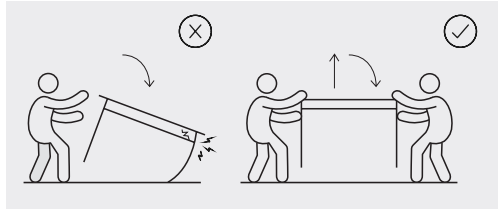
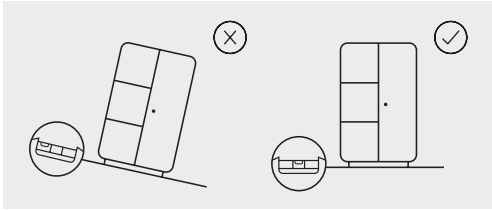
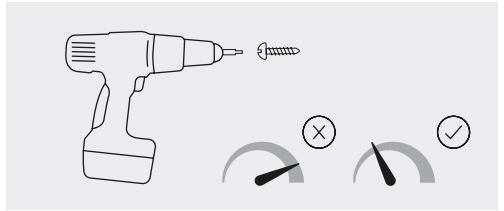
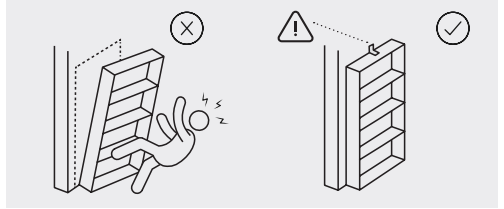
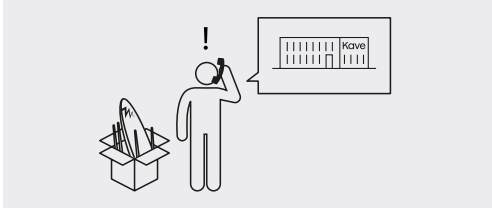
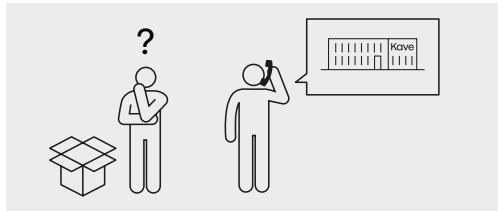
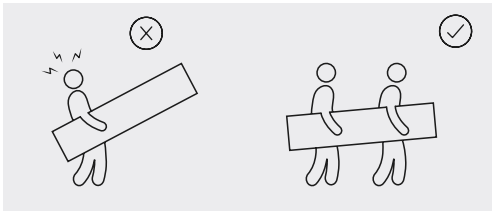


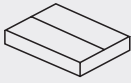
Martina







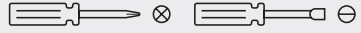
45 min



x1

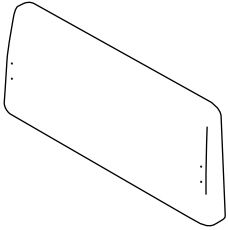


x2

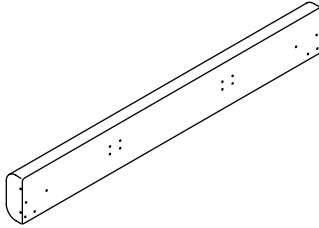


x1

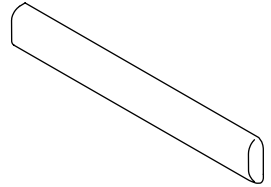
x1



A x1



B x2



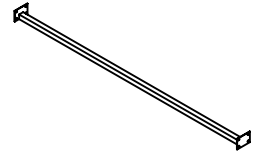
C x1



D x4



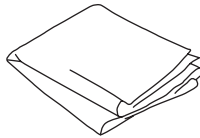
E x7



F x2



G x2



H x1



I x1



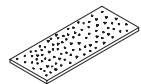
J x48
M6x20mm



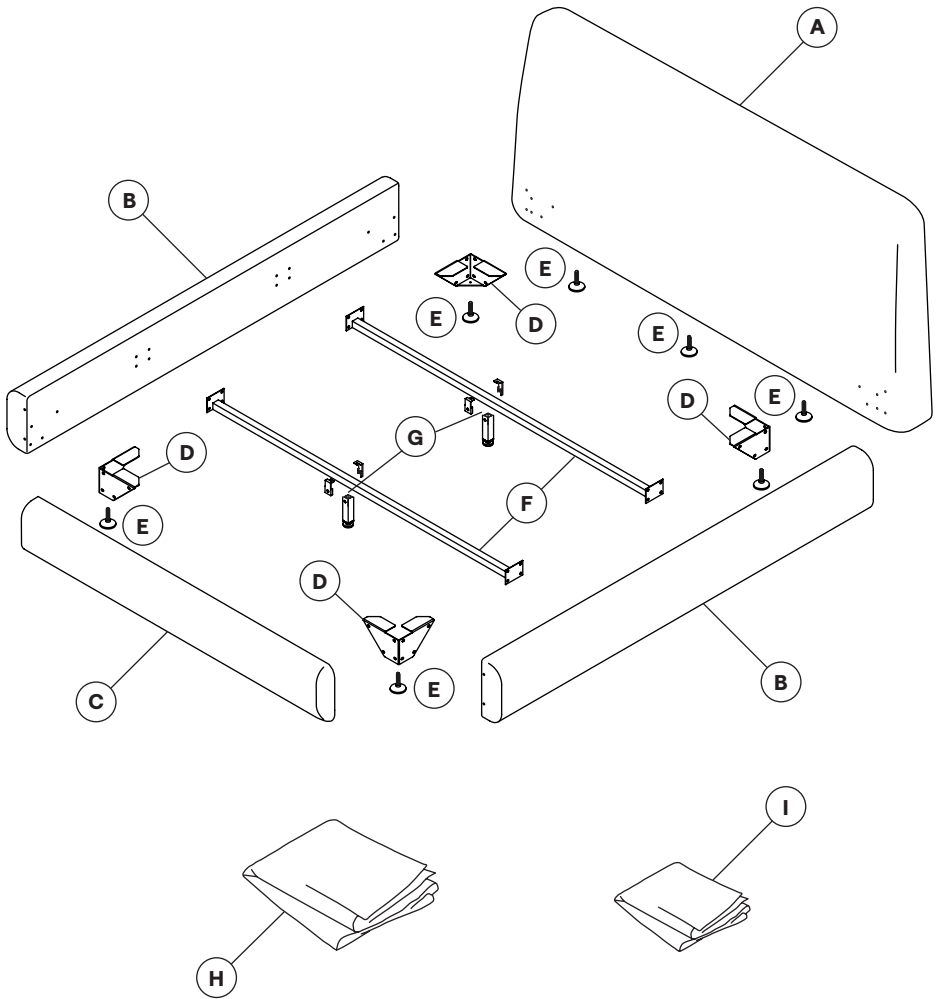
K x8

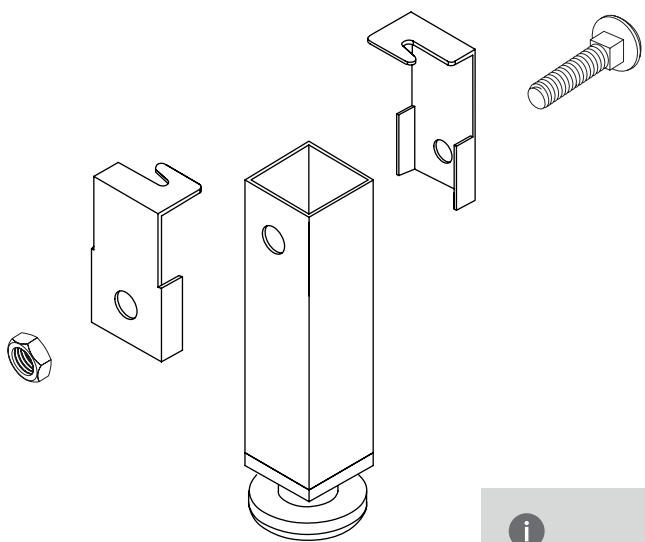
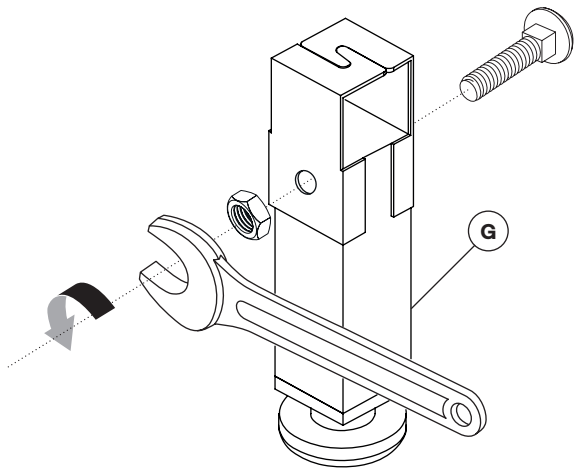


L x1



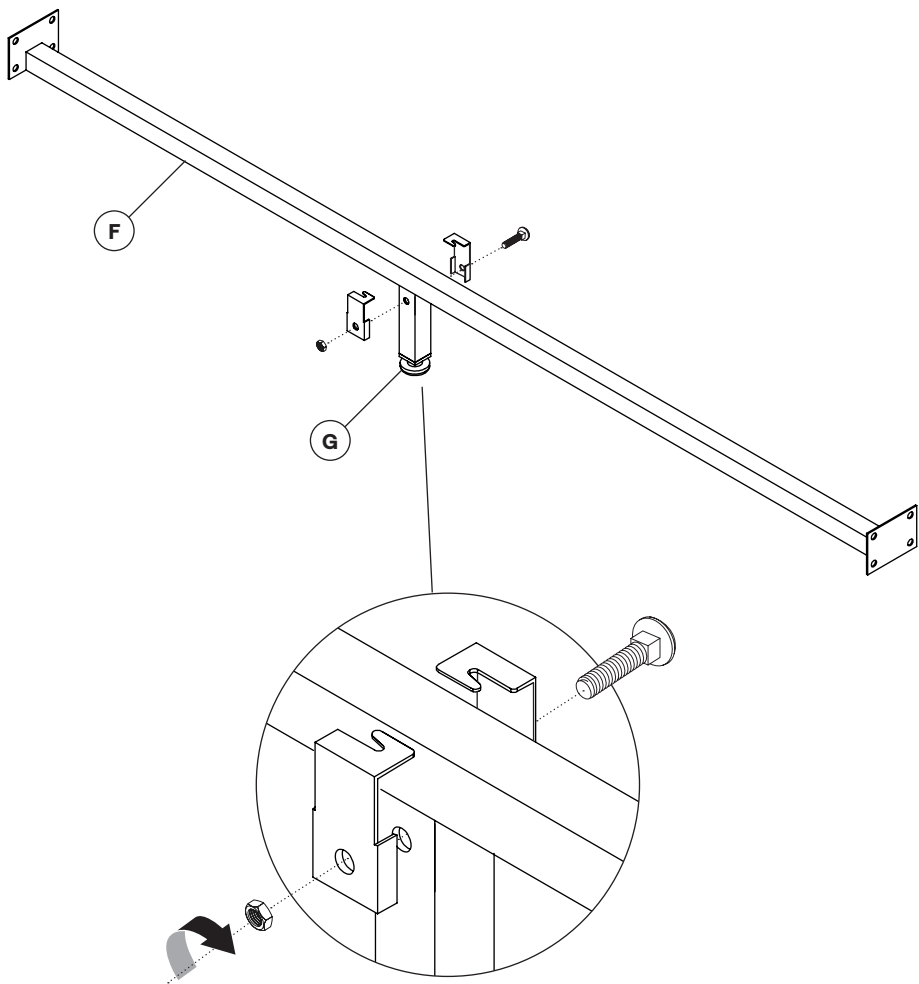
M x8



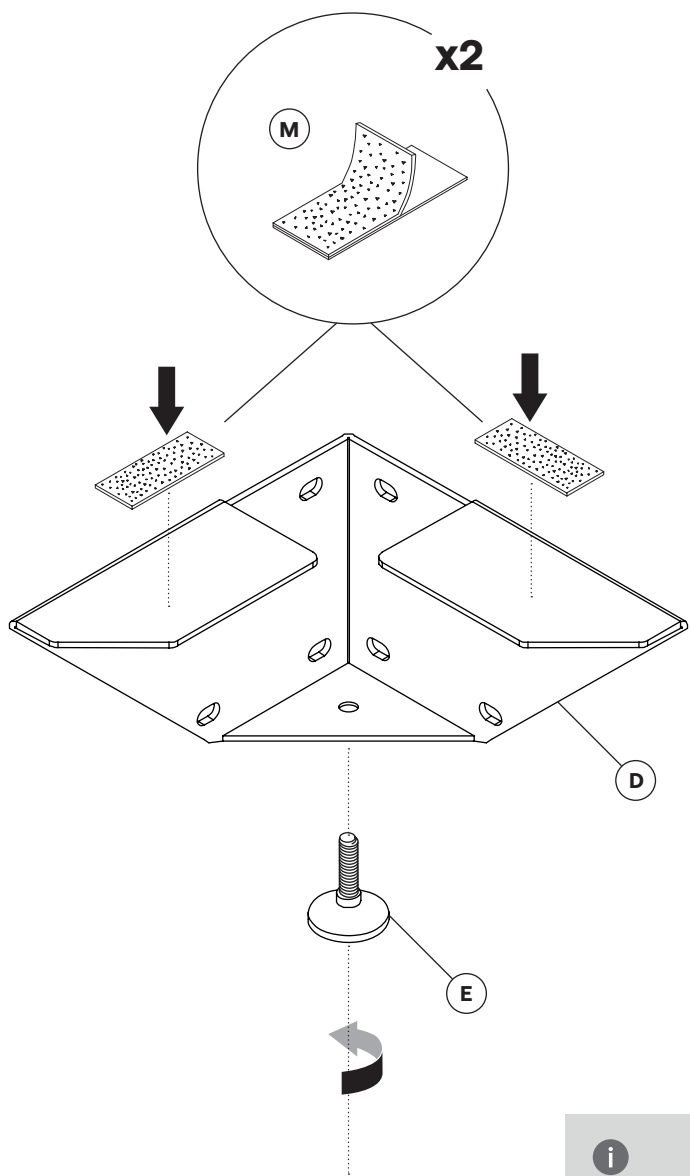


i
x2

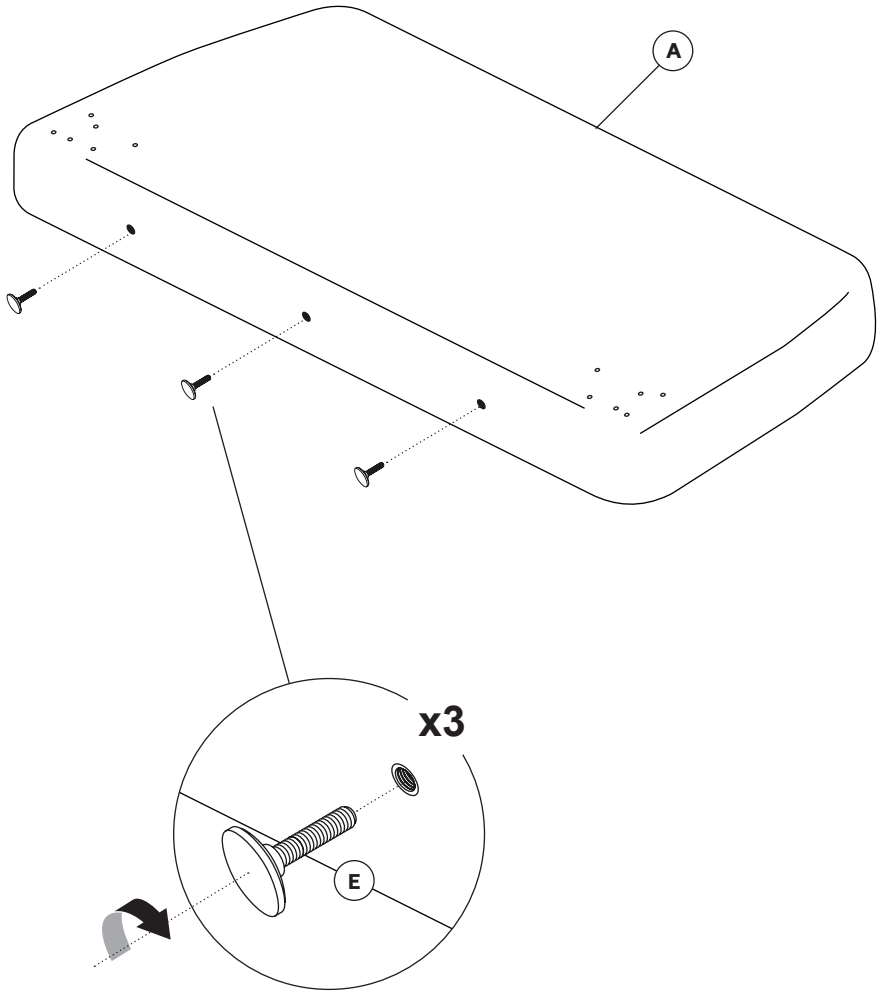
2

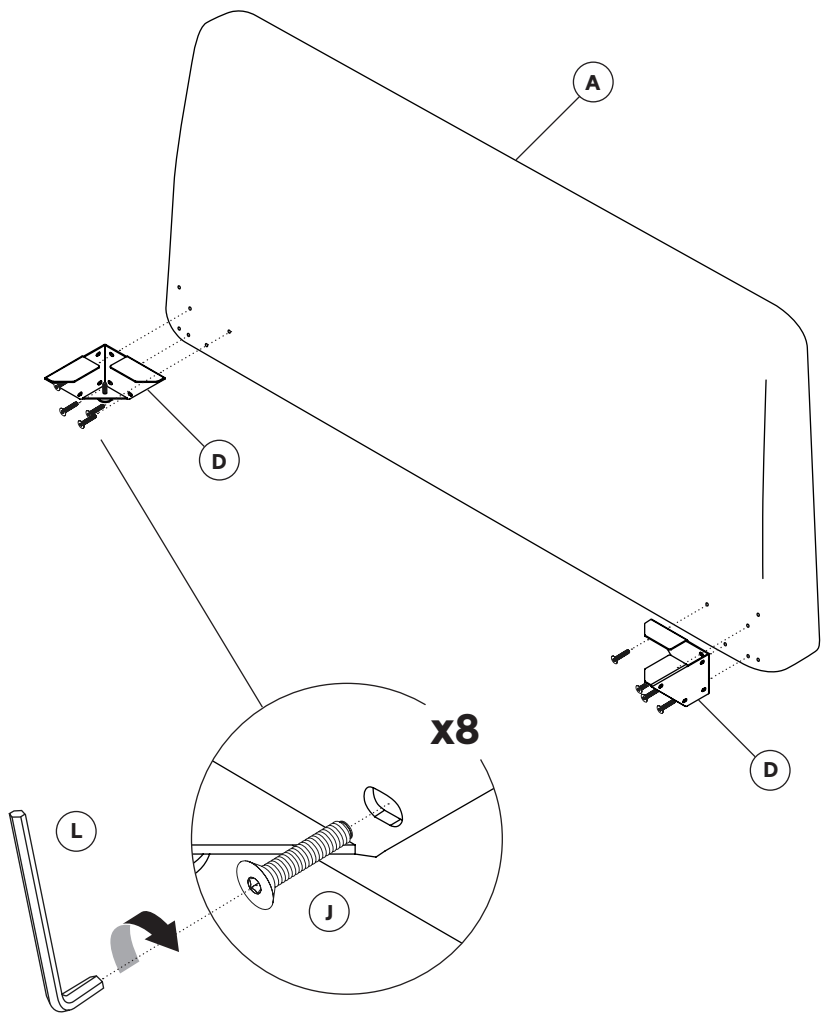


i
x2

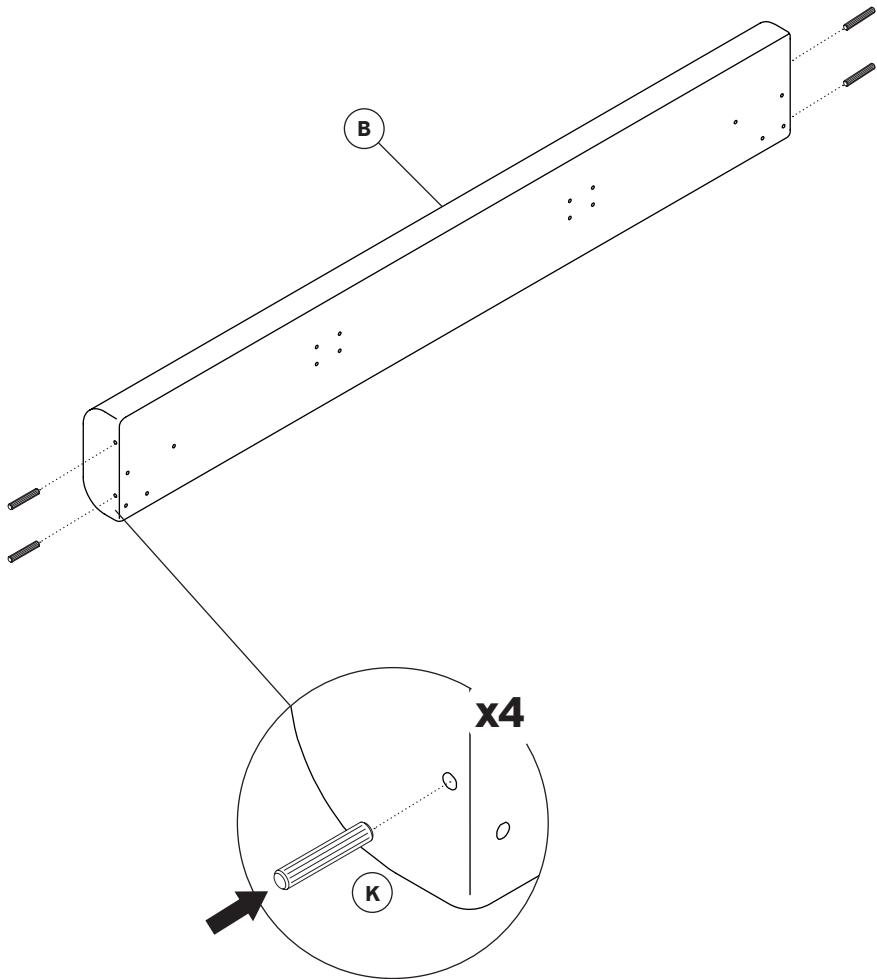


4

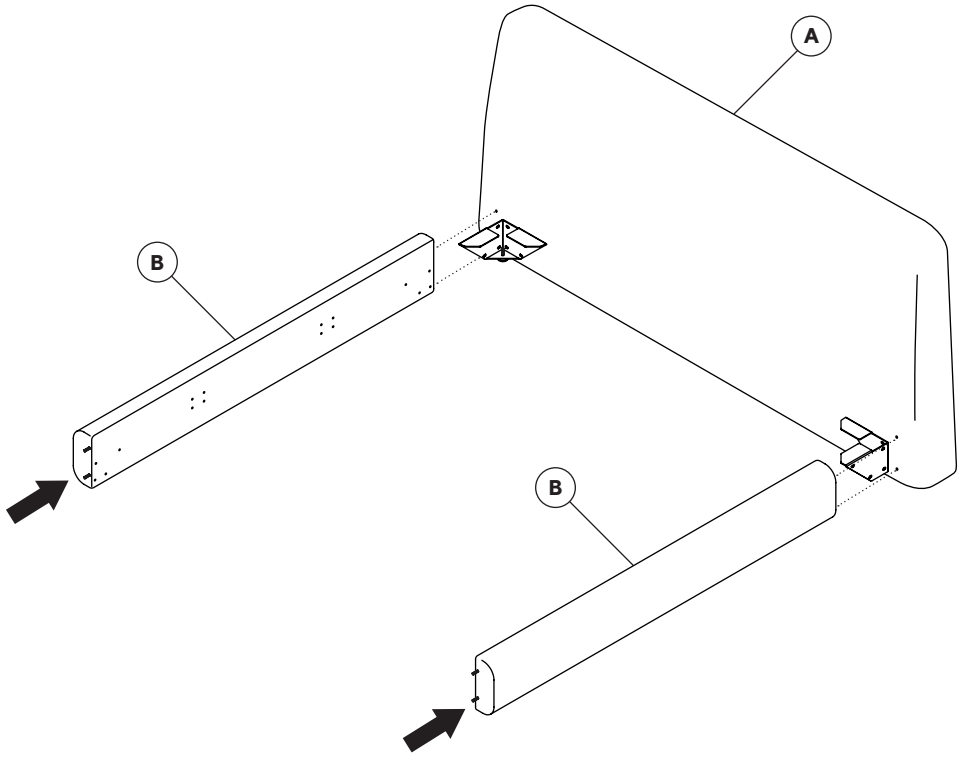


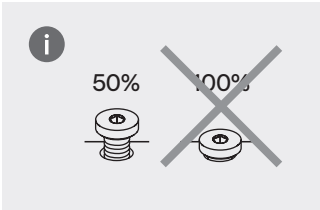
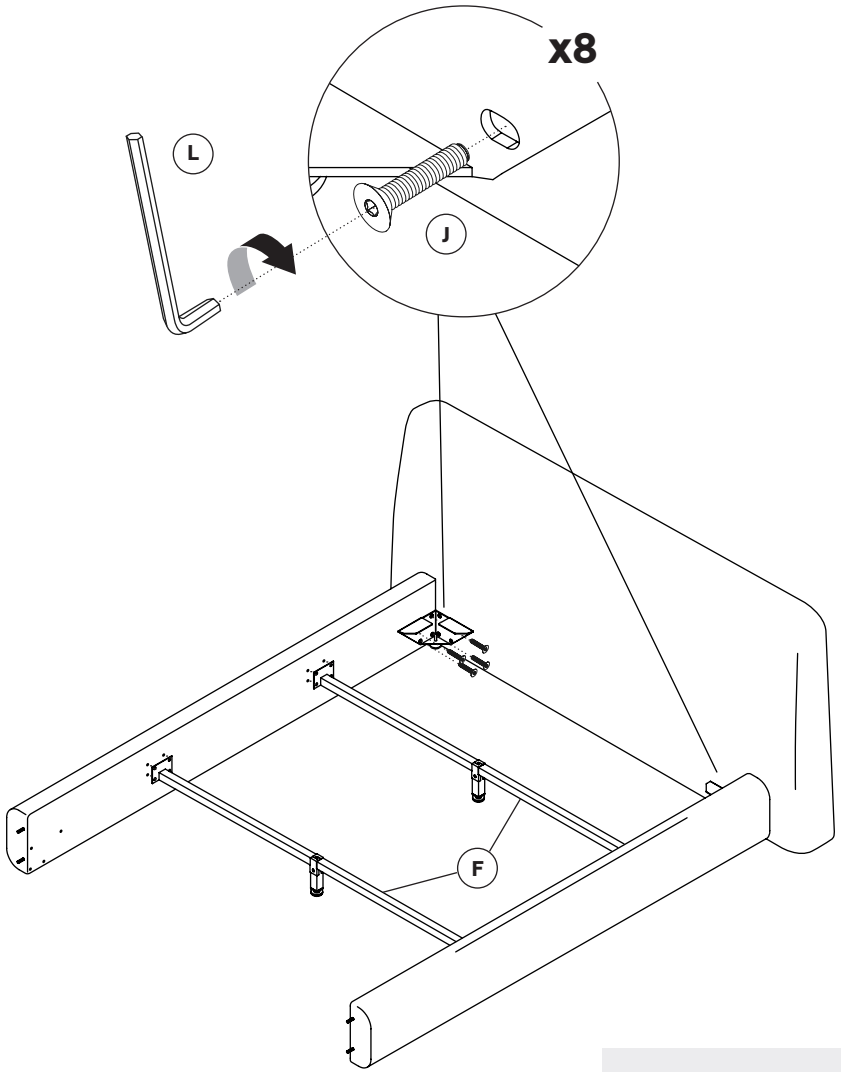


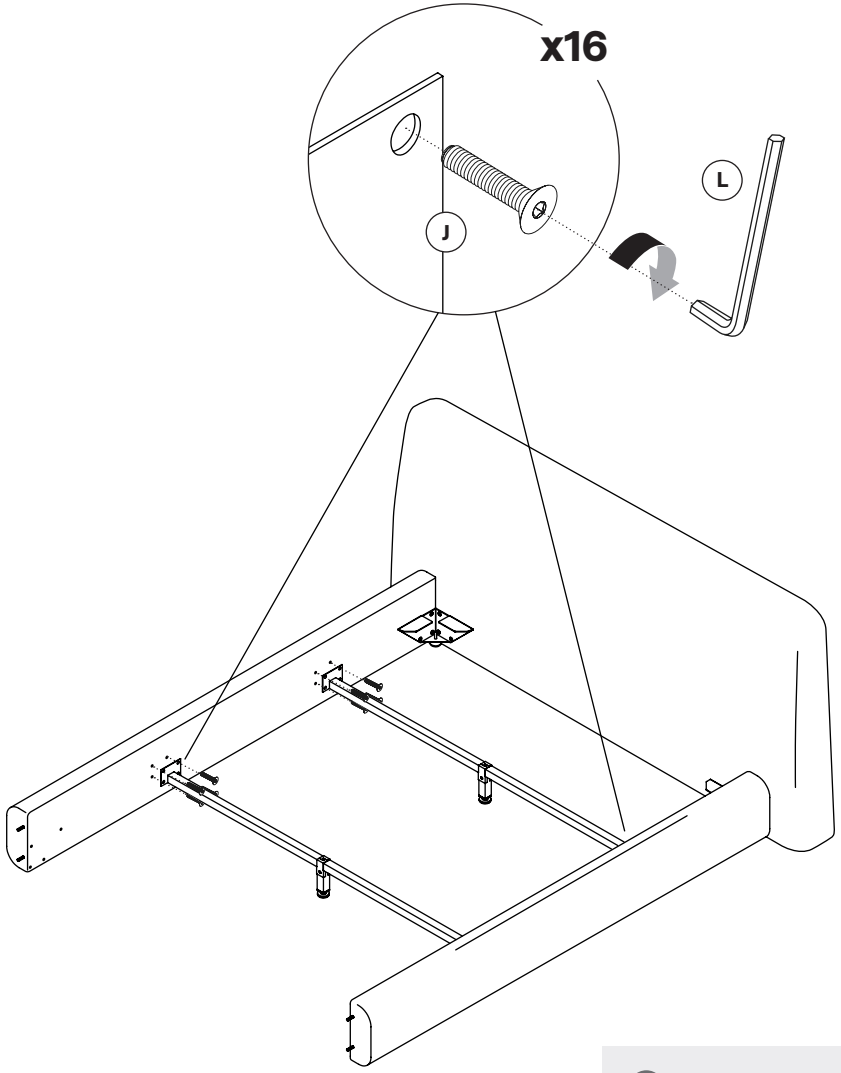
6



i
x2



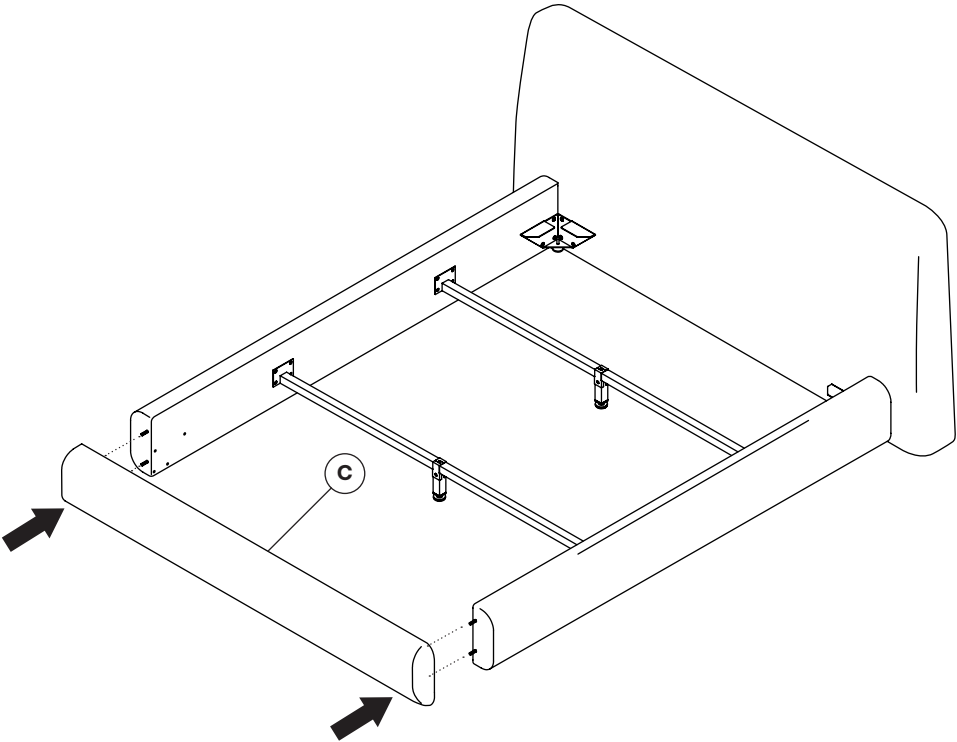


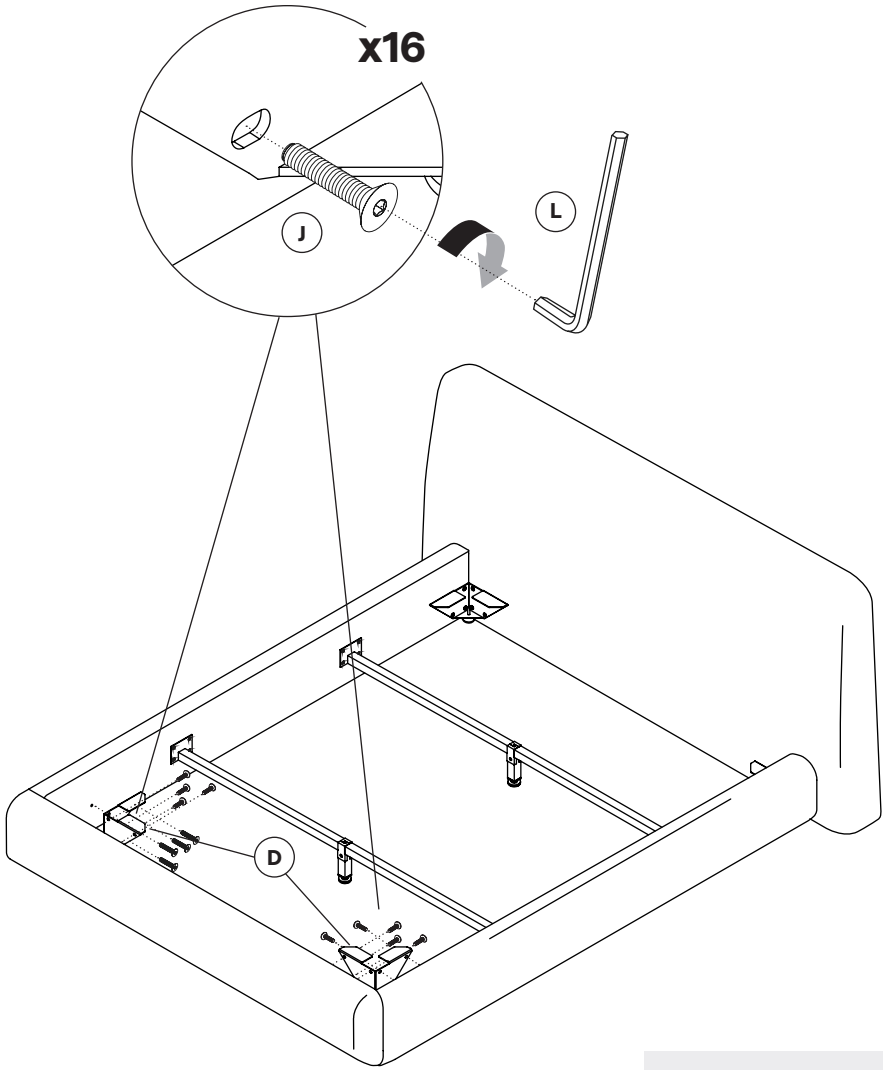


i

50% ~~100%~~

The warning block contains an information icon 'i' and two screw icons. The first icon is labeled '50%' and shows a screw with a standard thread. The second icon is labeled '100%' and shows a screw with a double thread, which is crossed out with a large 'X' to indicate it is not to be used.

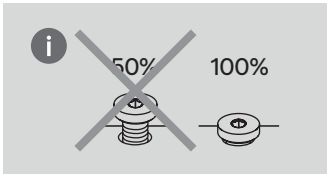
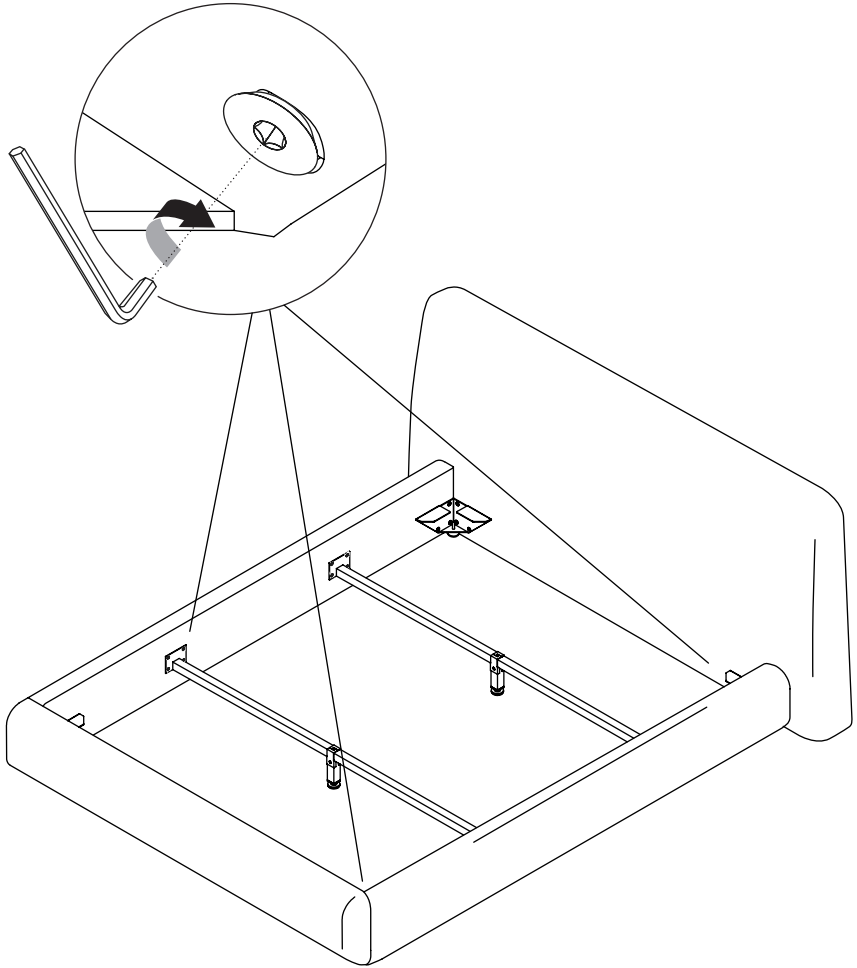


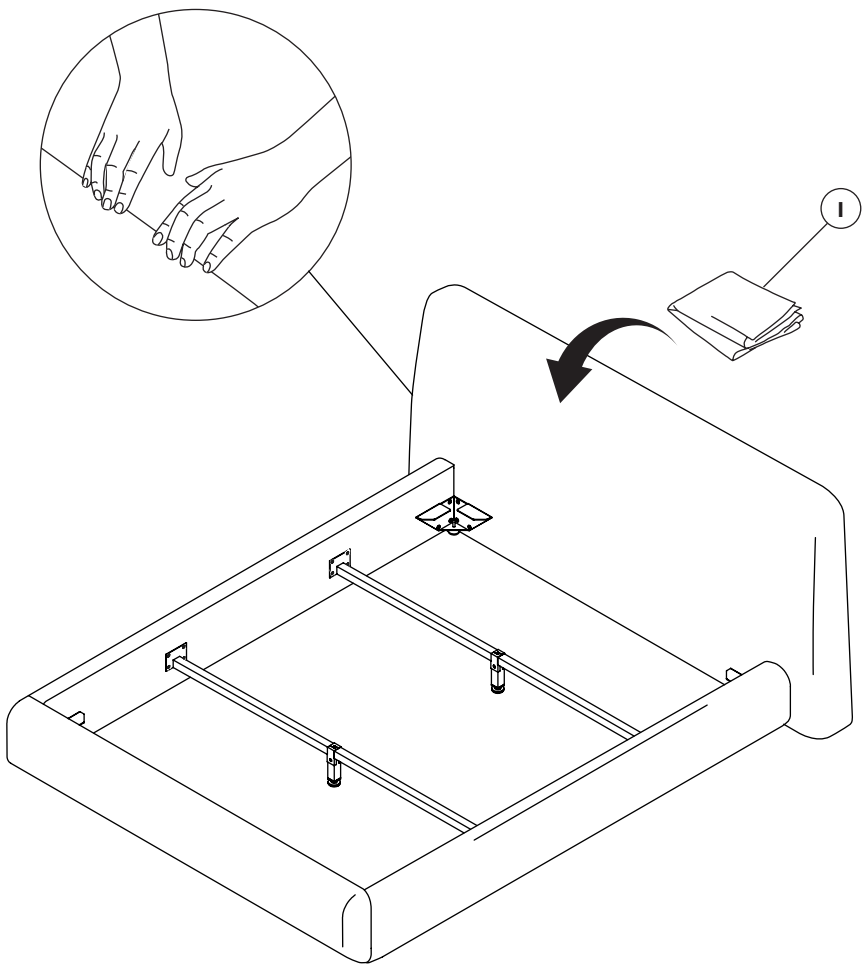


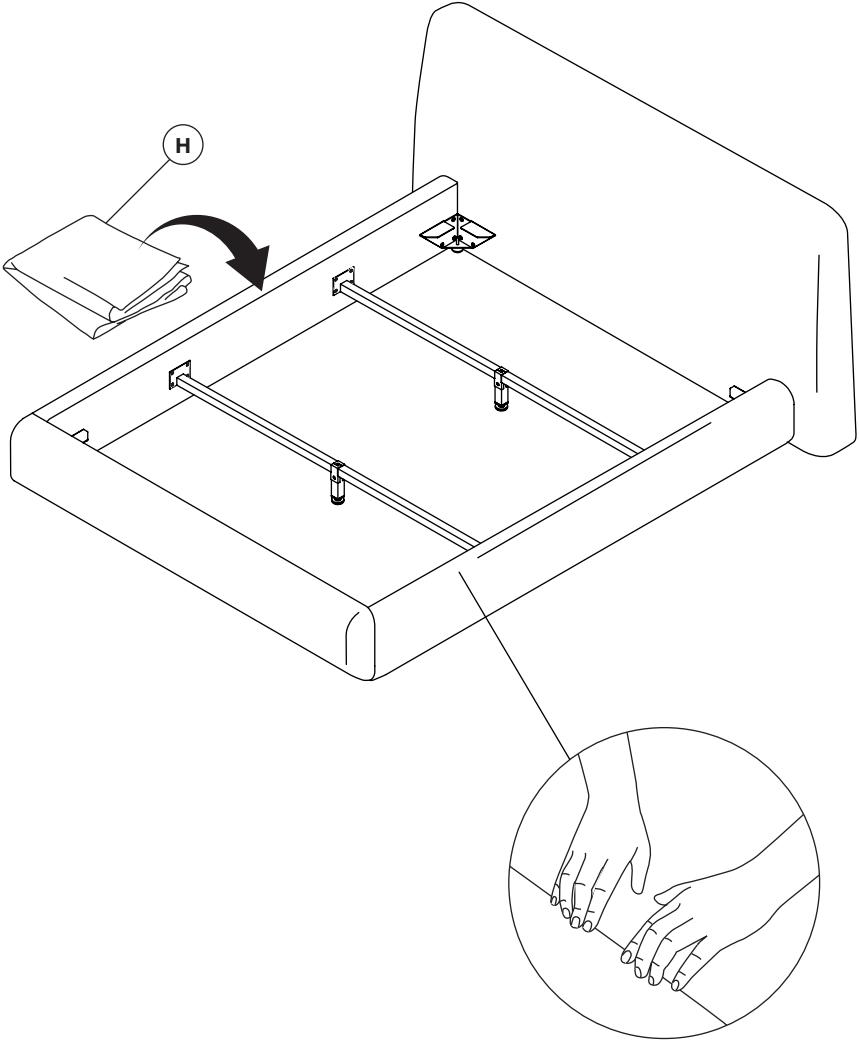
i

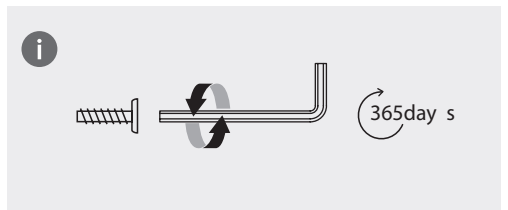
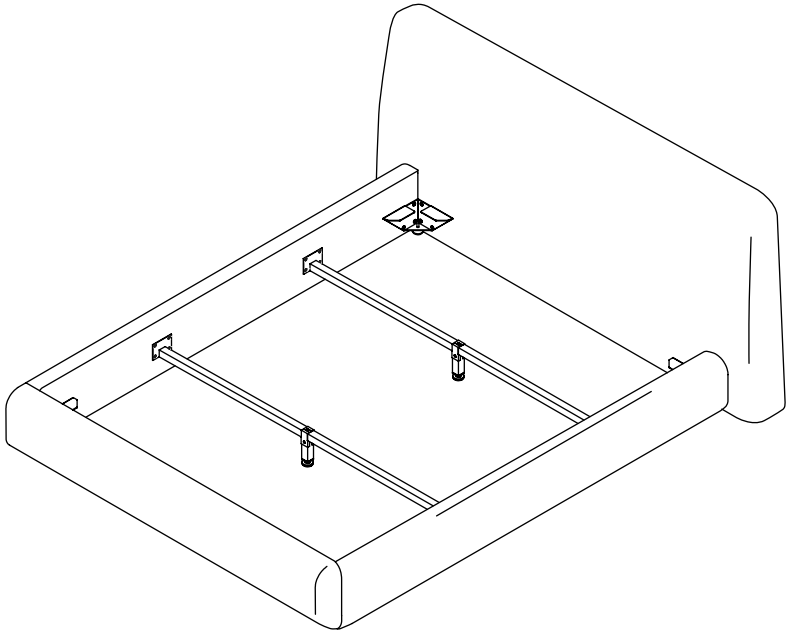
50% ~~100%~~

The warning section contains an information icon 'i'. Below it, the text '50%' is followed by a screw icon, and '100%' is followed by a crossed-out screw icon. This indicates that the screws should be tightened to 50% of their maximum torque, and not to 100%.









Kave

Julià Grup Furniture Solutions S.L.

B-17616277

Pol. Ind. Bosc d'en Cuca
C/ Tallers, 14. 17410 Sils, Spain
contact@kavehome.com



IT: PAP 22, Carta.
Verifica le disposizioni del tuo comune.