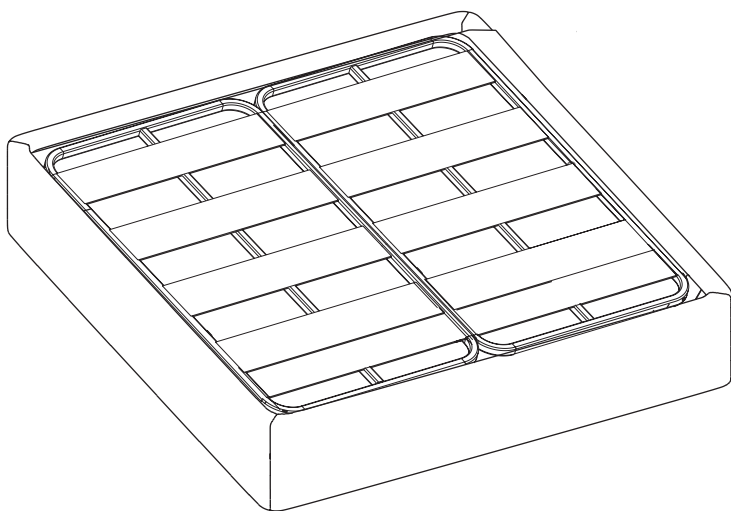
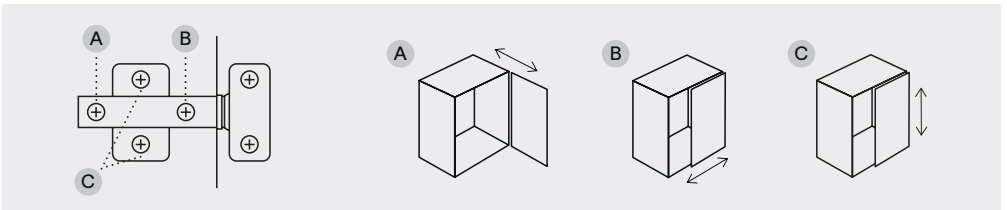
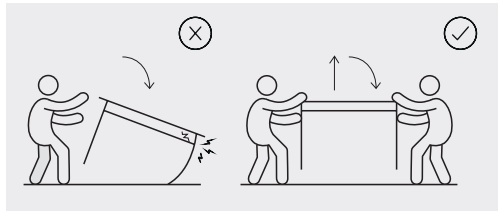
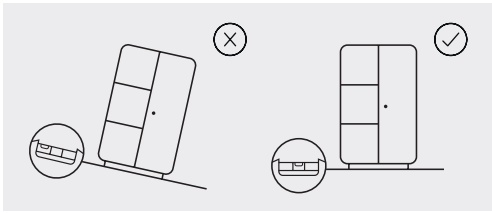
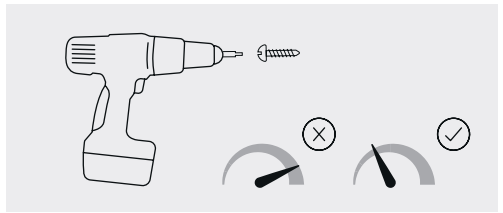
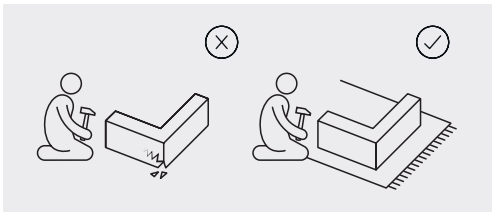
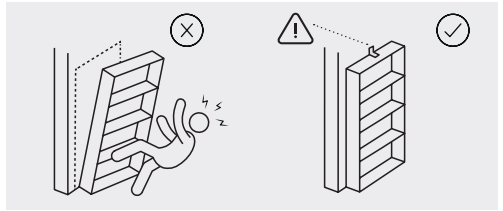
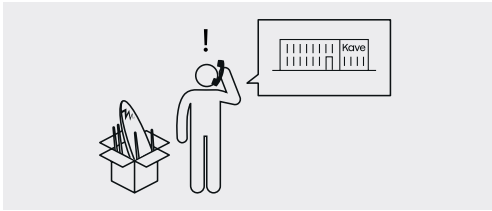
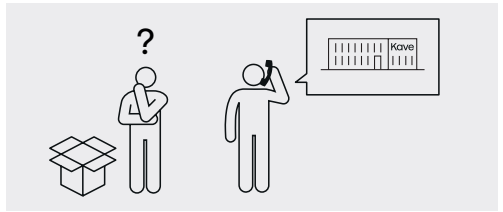


# Nelzi



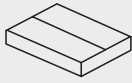
Kave

ED03





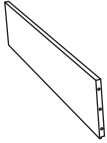
60 min



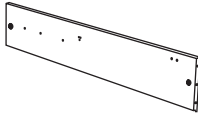
x2



x2



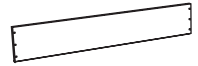
**Ax1**



**Bx1**



**Cx1**



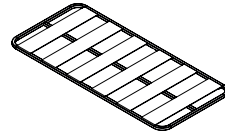
**Dx1**



**Ex1**



**Fx1**



**Gx2**



**Hx2**



**Ix1**



**Jx1**



**Kx2**



**Lx1**



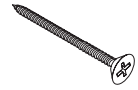
**M x8**  
ø8×35mm



**N x10**  
M8×20mm



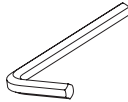
**O x8**  
M6×25mm



**P x16**  
ø3,5×30mm



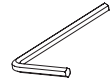
**Q x4**



**R x1**  
6mm



**S x1**  
5mm



**T x1**  
3mm



**U x4**  
M8



**V x4**



**W x6**  
M8



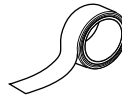
**X x6**



**Y x1**  
N°13



**Z x18**  
M4×30mm



**AA x1**



**AB x3**  
M6×90mm



**AC x3**  
M6



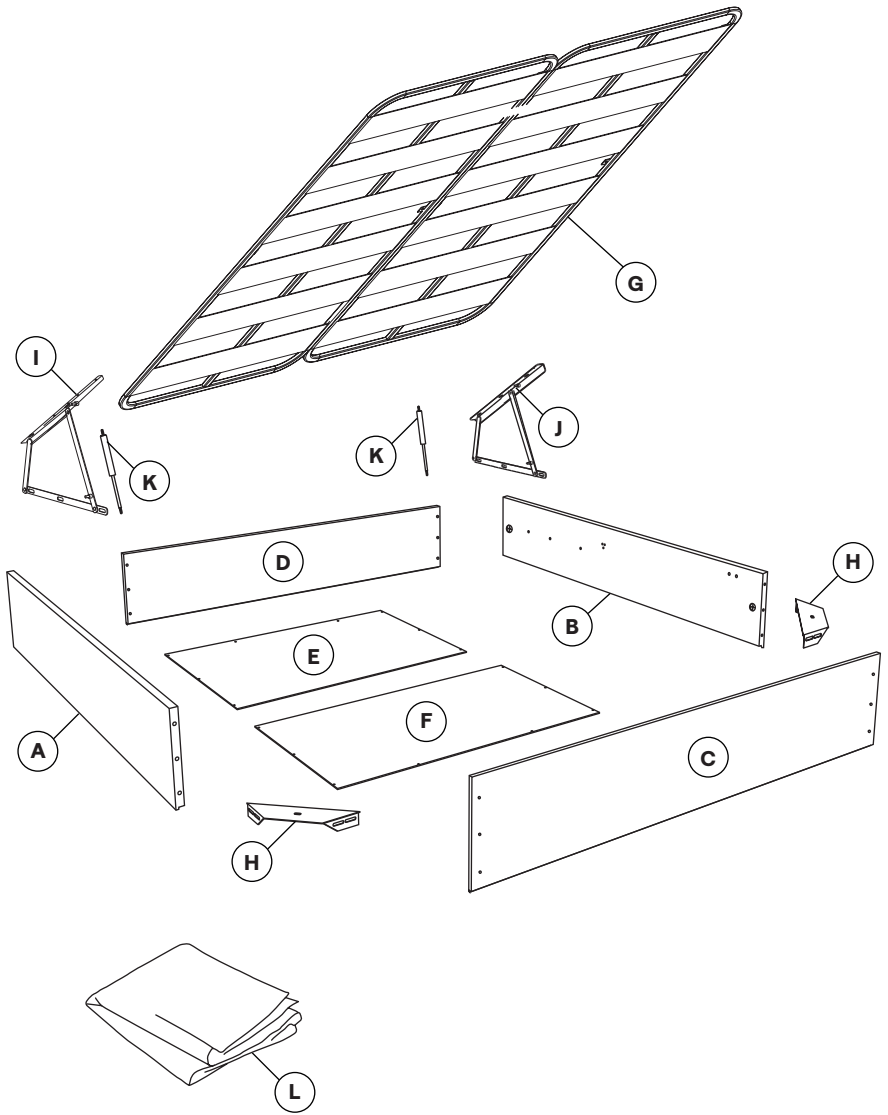
**AD x6**



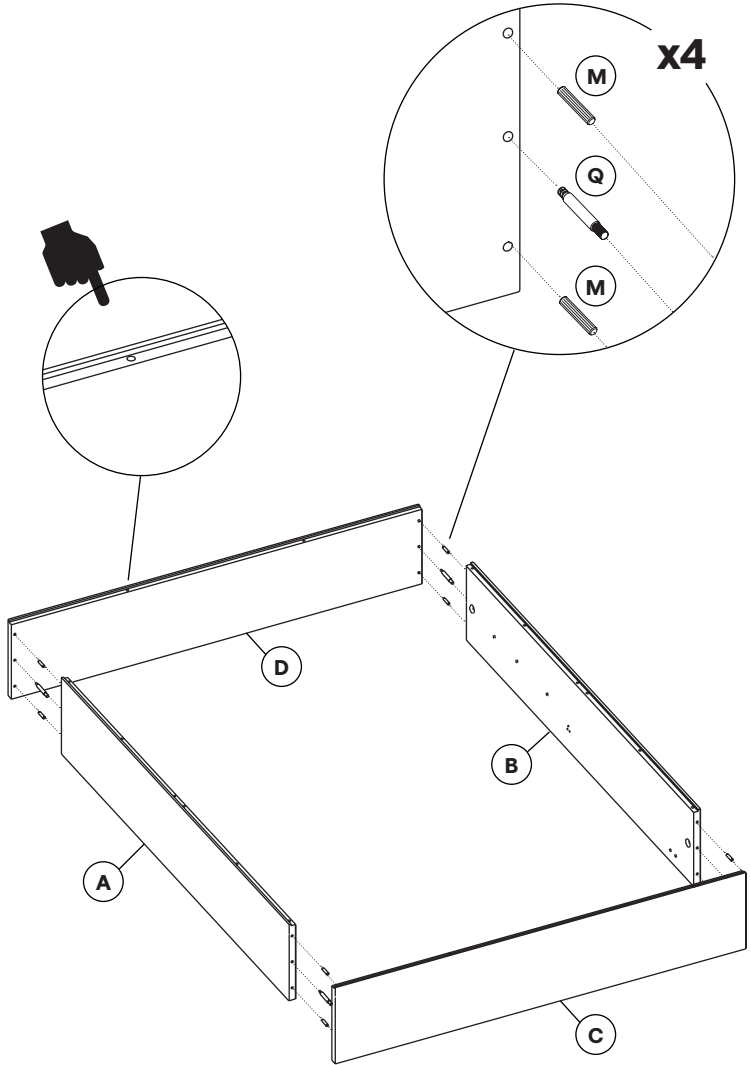
**AE x1**  
4mm

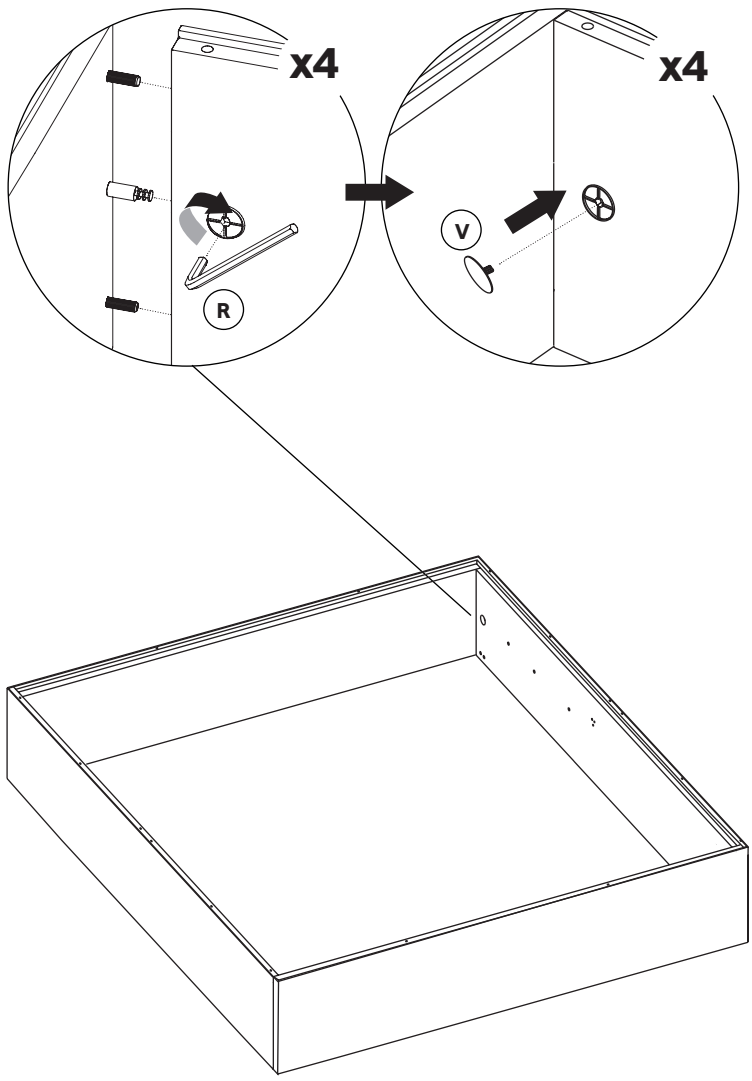


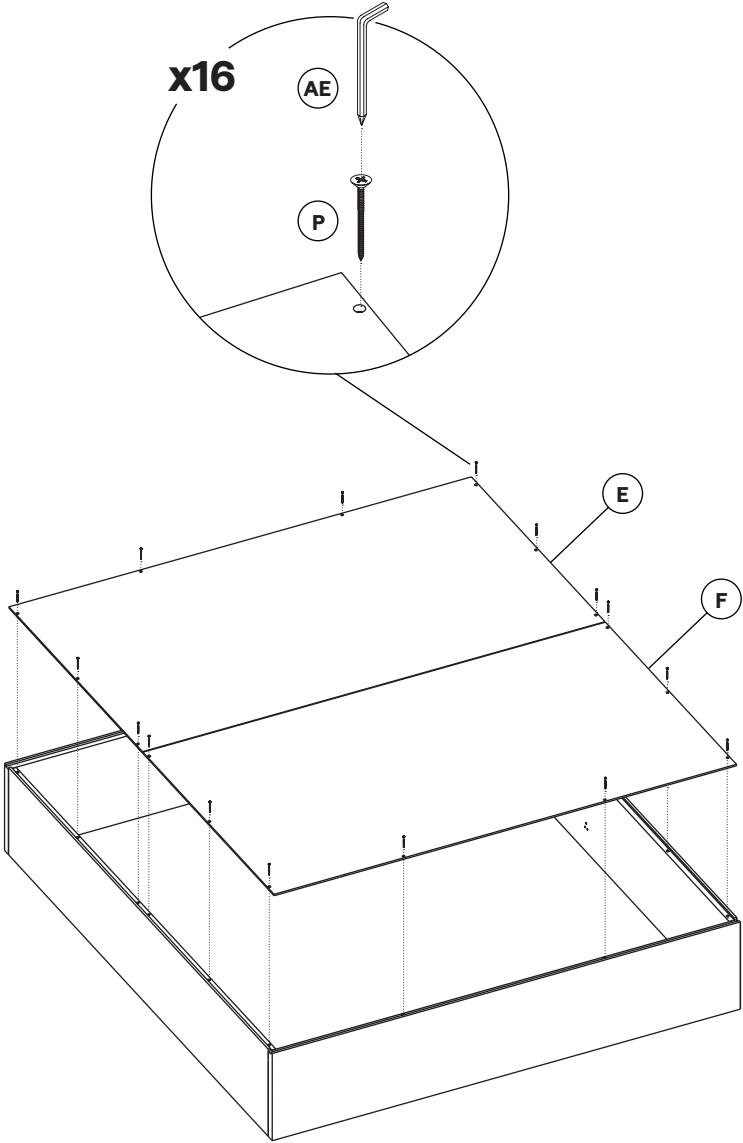
**AF x18**

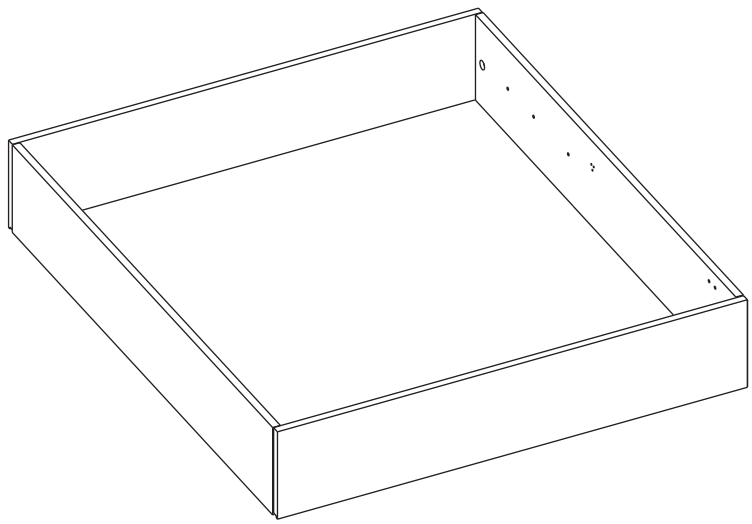
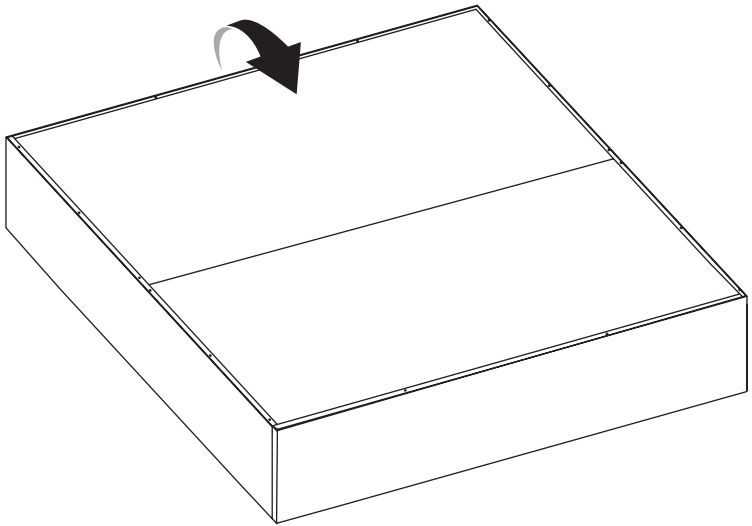


1

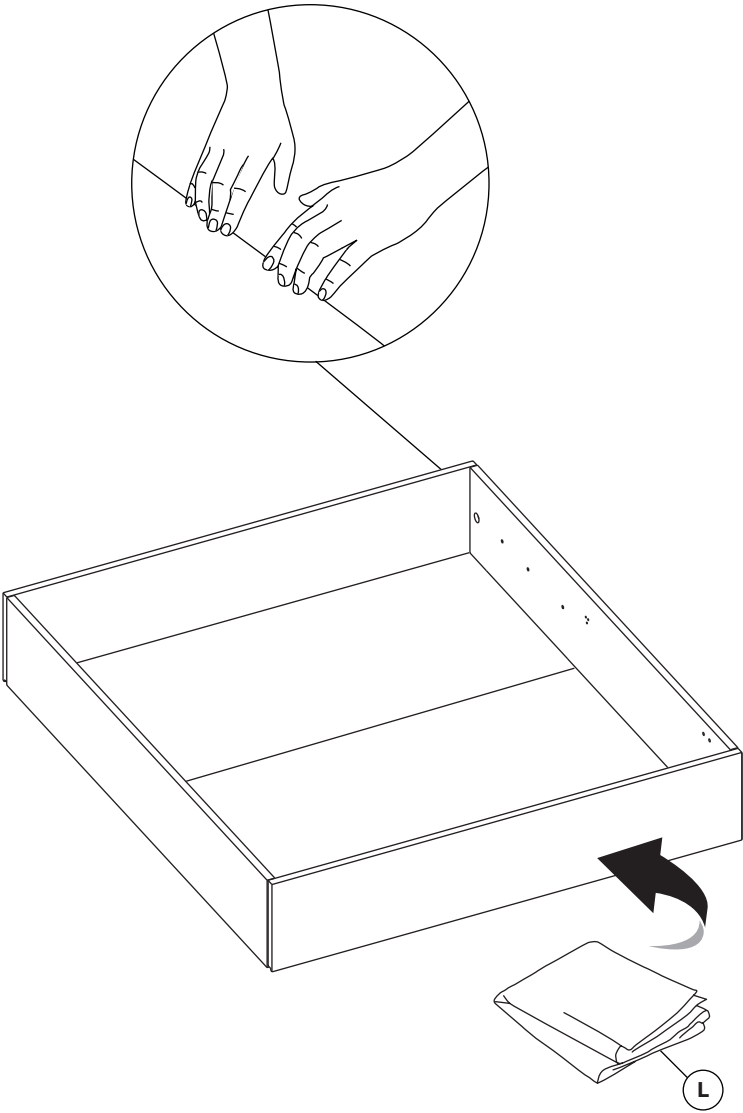


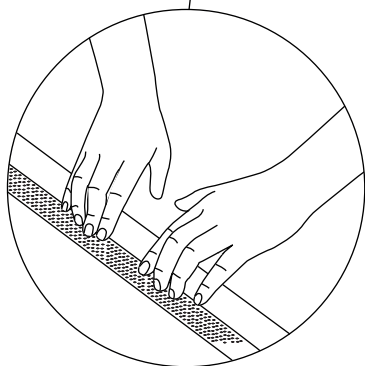
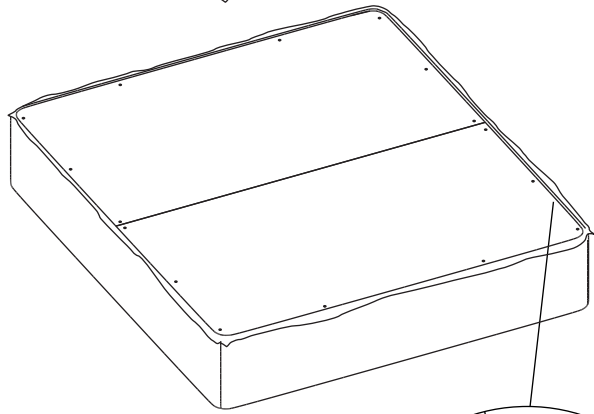
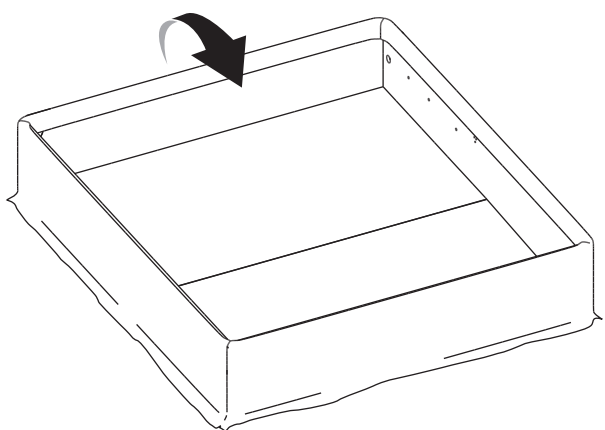




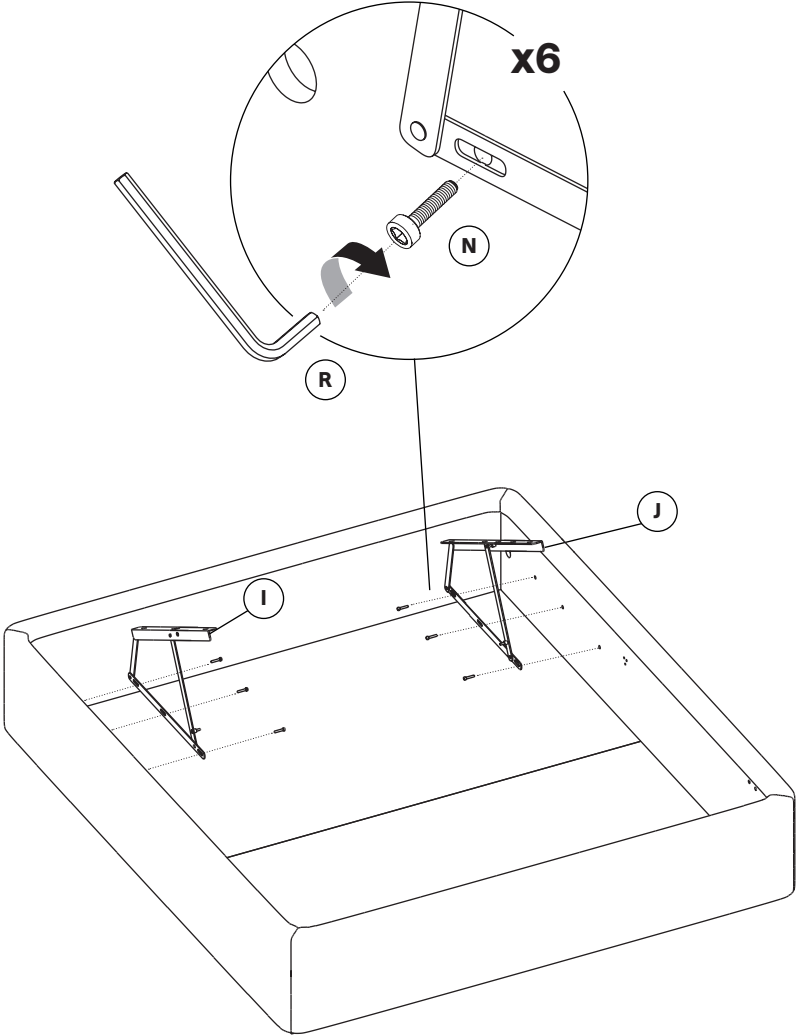


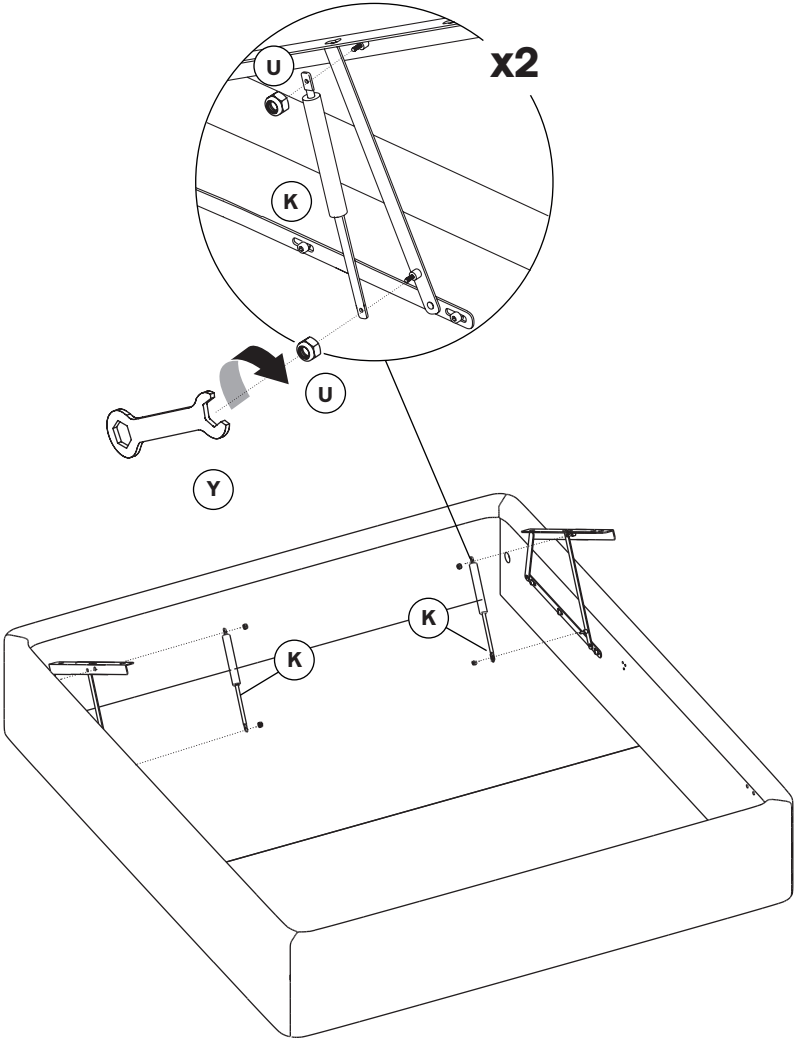
5

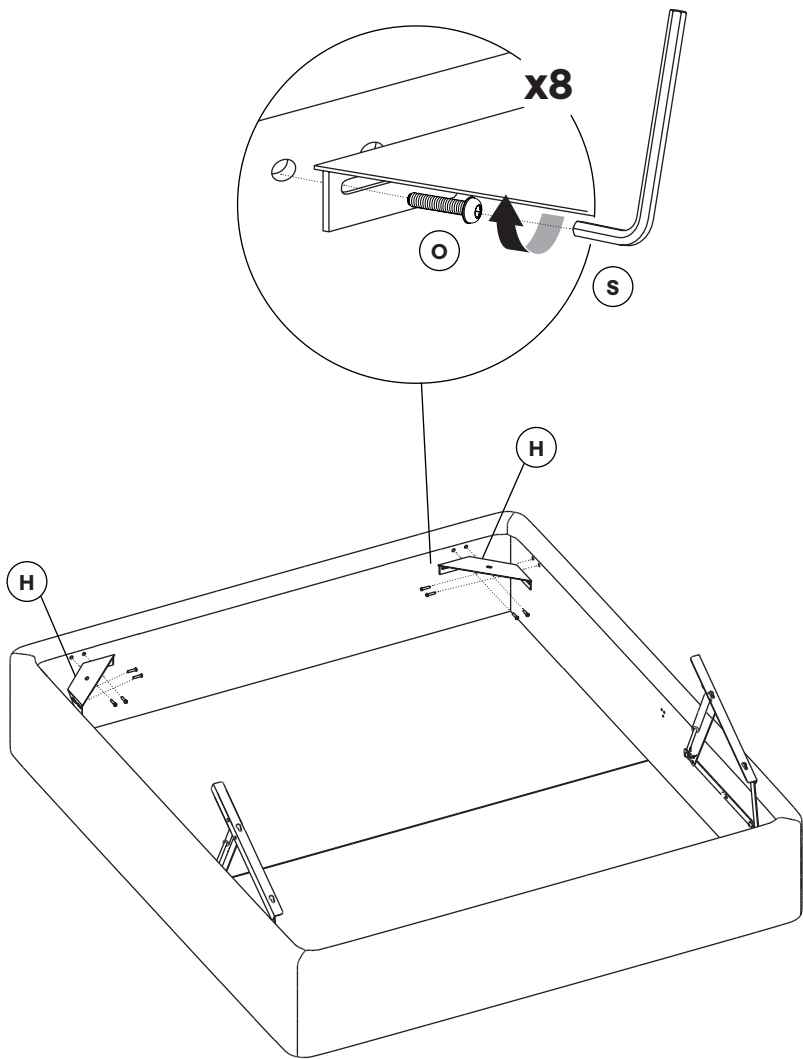


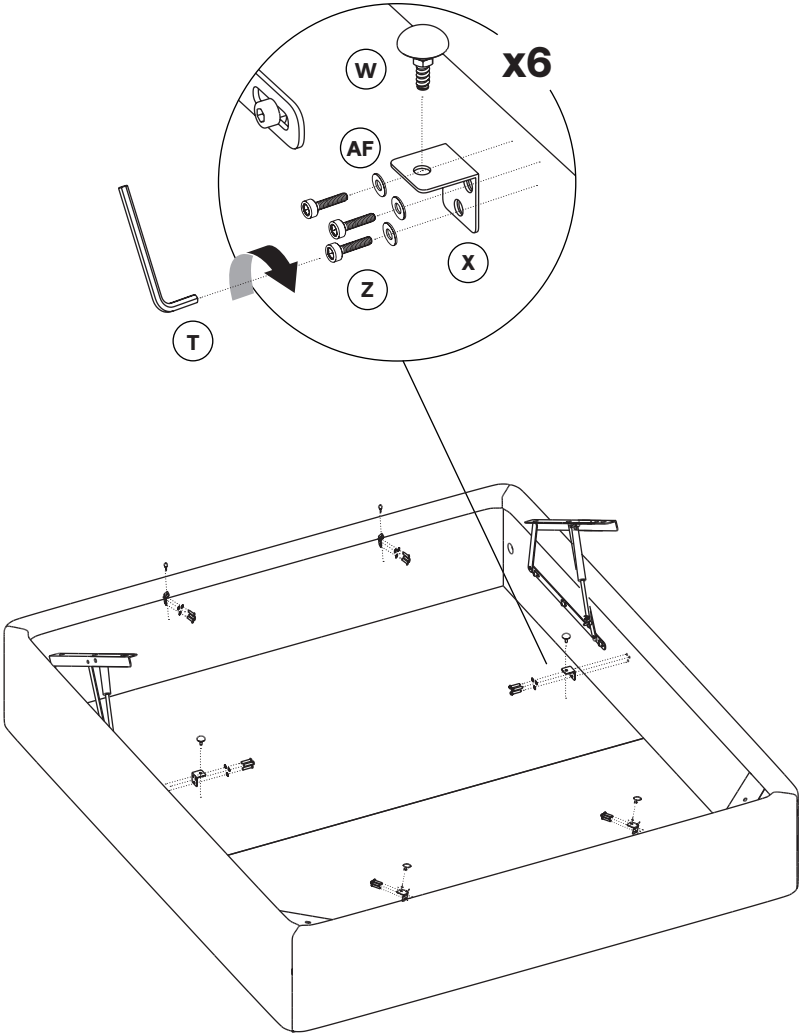


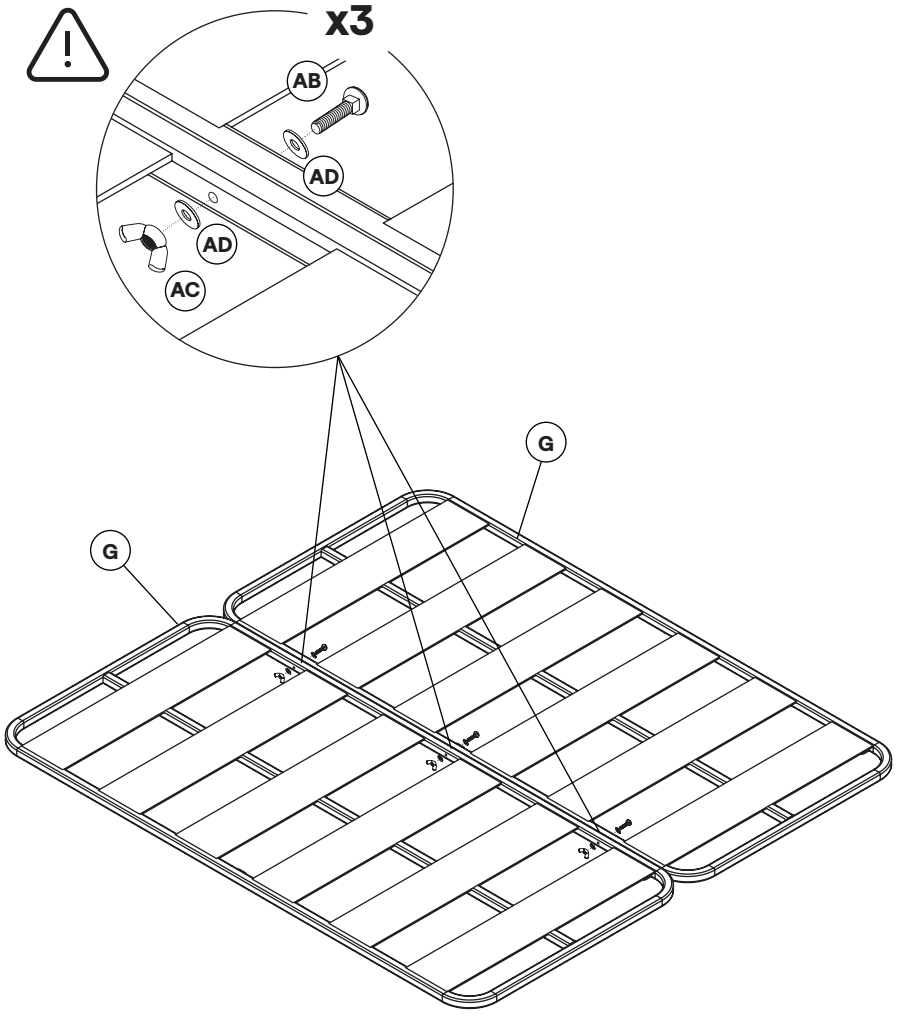
7

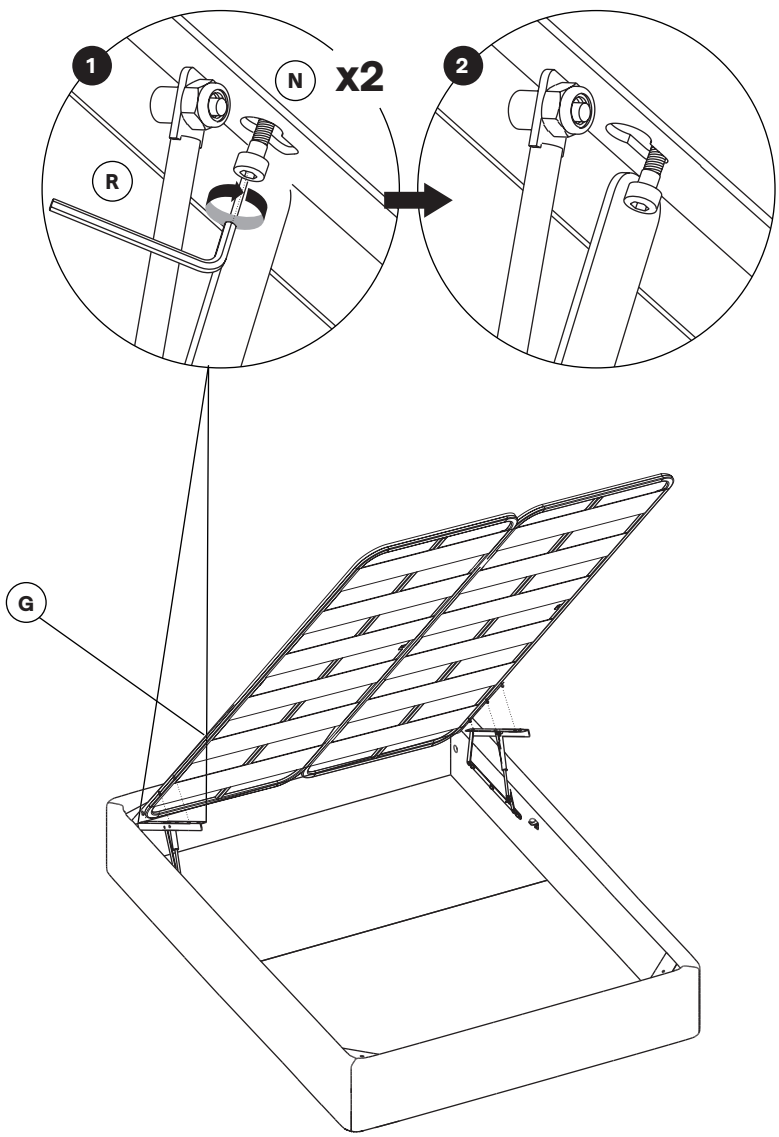


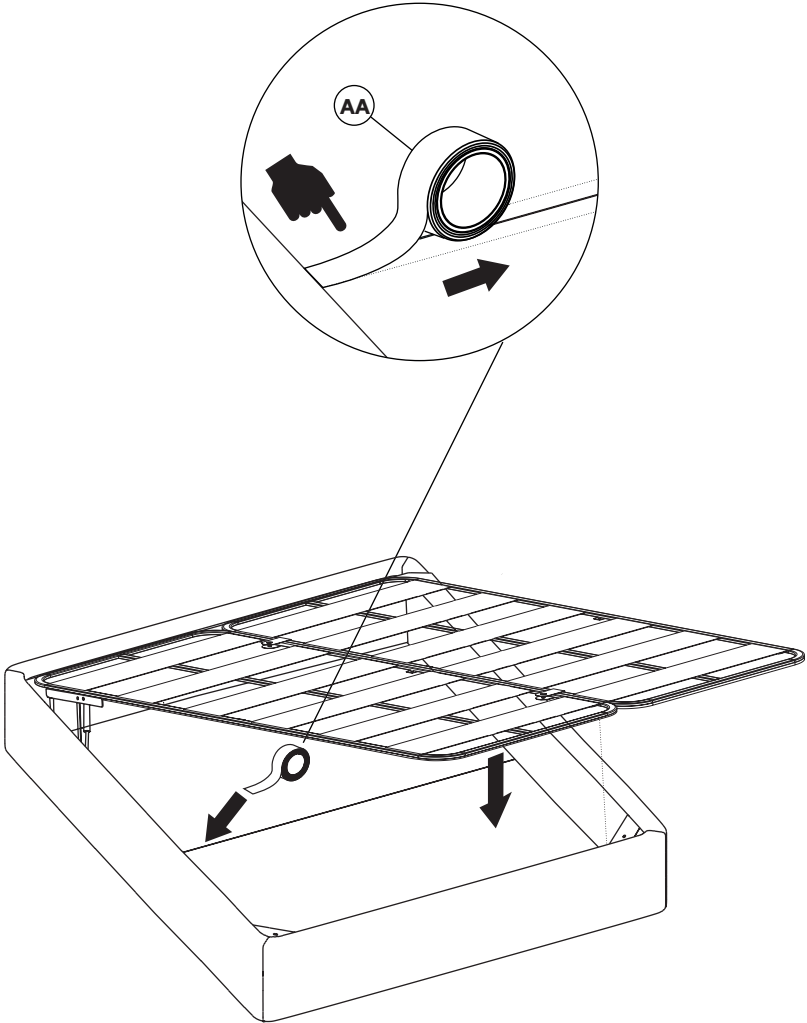


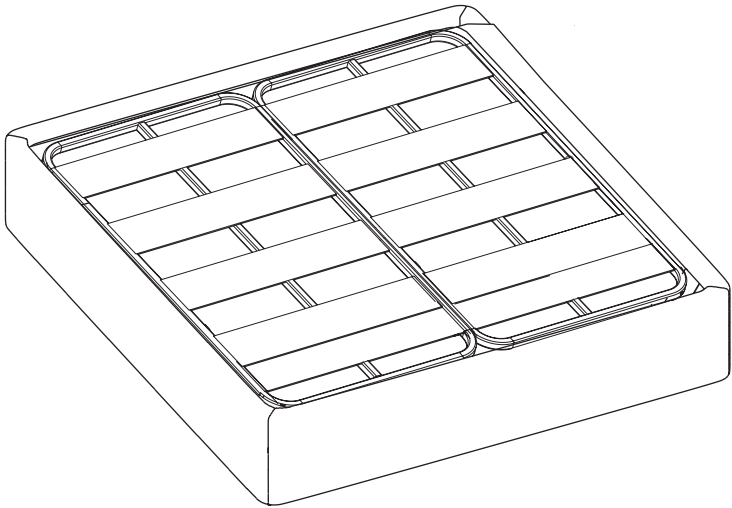












# Kave

**Julià Grup Furniture Solutions S.L.**

B-17616277

Pol. Ind. Bosc d'en Cuca  
C/ Tallers, 14. 17410 Sils, Spain  
contact@kavehome.com



IT: PAP 22, Carta.  
Verifica le disposizioni del tuo comune.