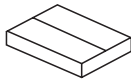




Kave® Cares



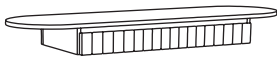
20 min



x1



x2



A x1



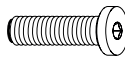
B x1



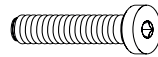
C x2



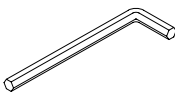
D x8
8x22 mm



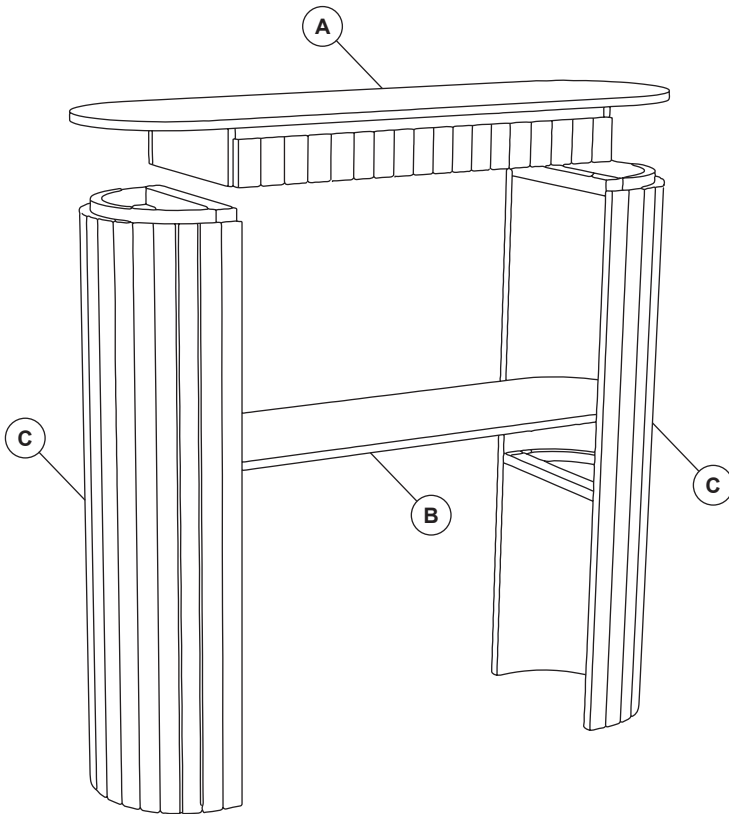
E x4
6x40 mm



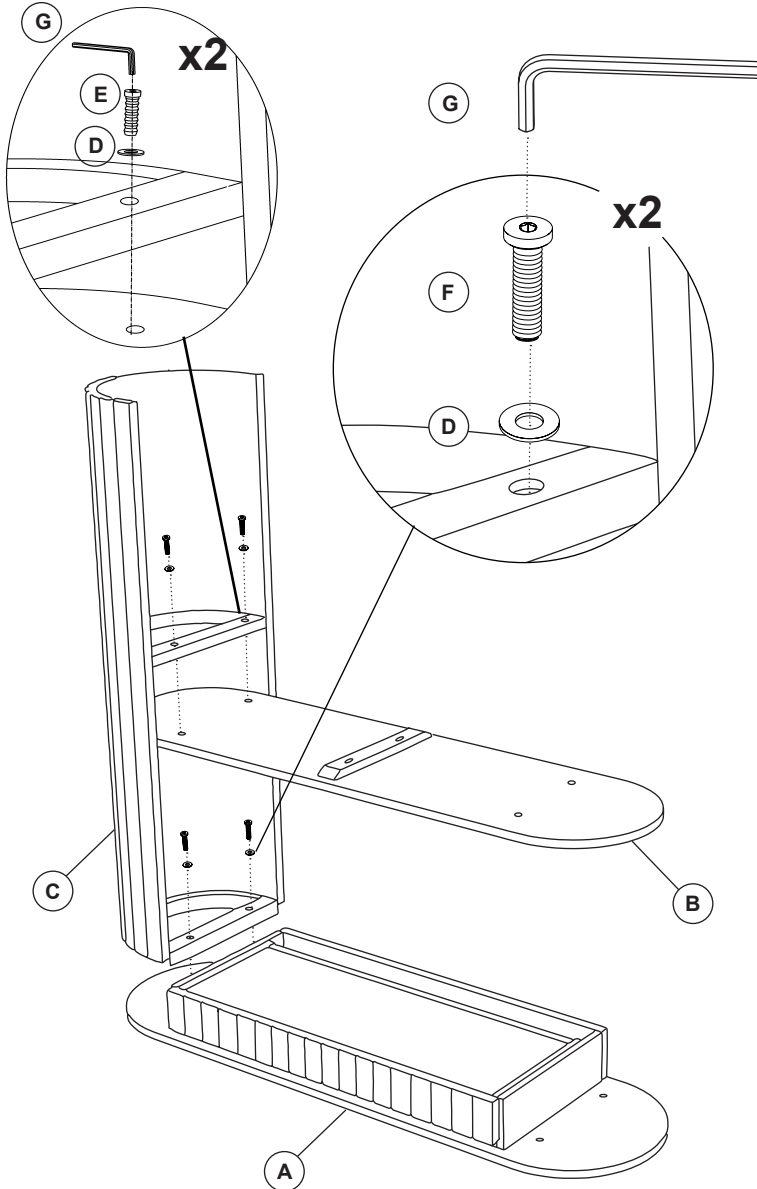
F x4
6x50 mm



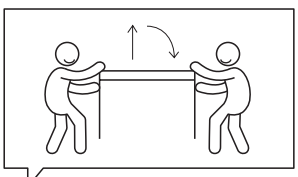
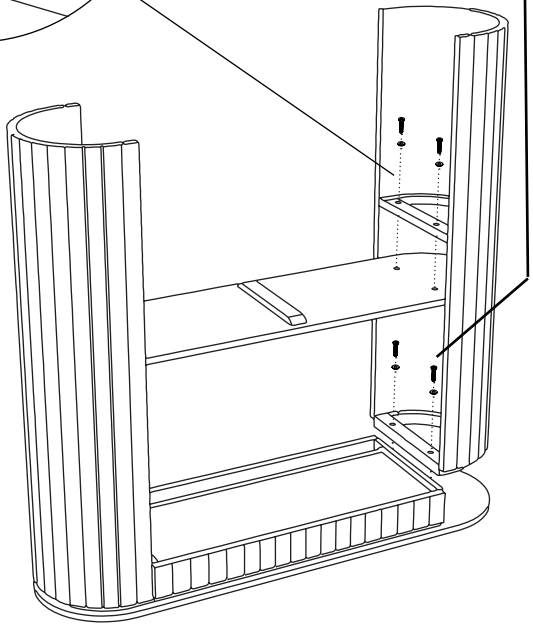
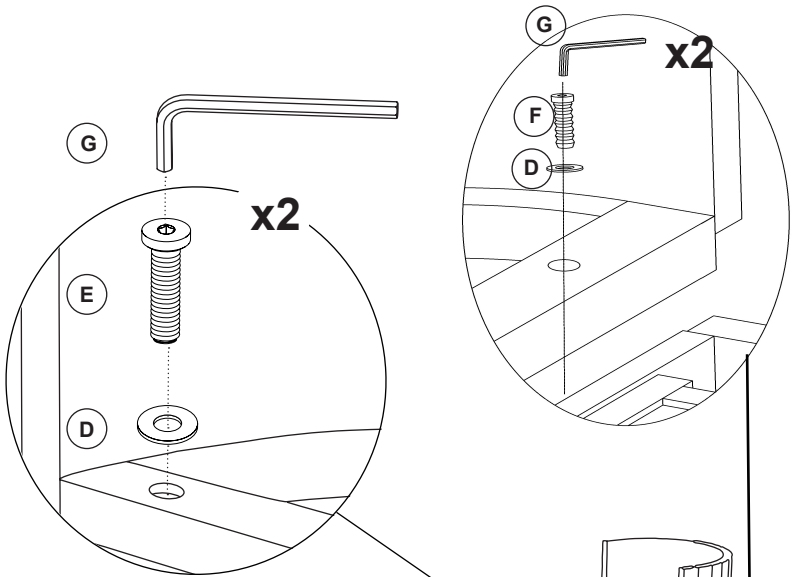
G x1

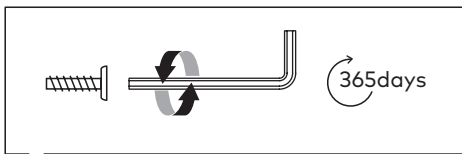
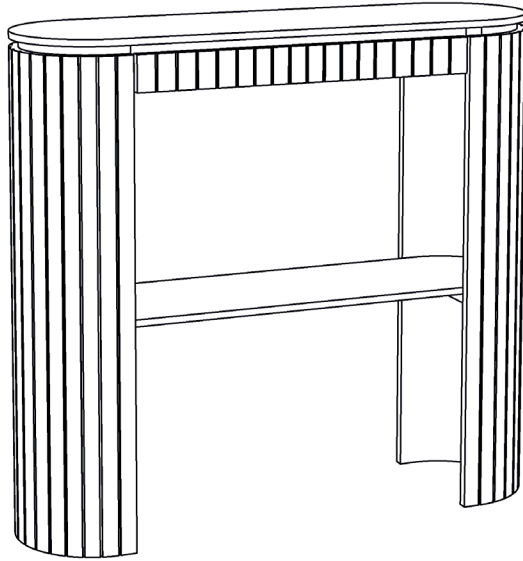


1



2







THAT'S ALL FOLKS

Share your style!

#KaveHome

