





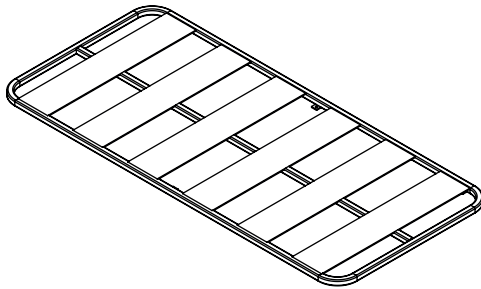
15 min



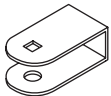
x1



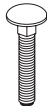
x1



A x2



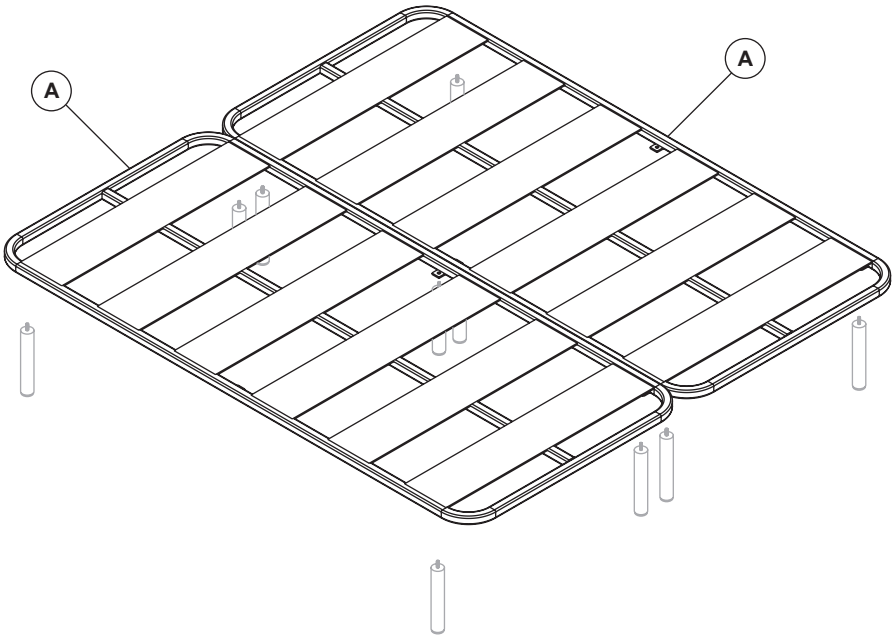
B x2



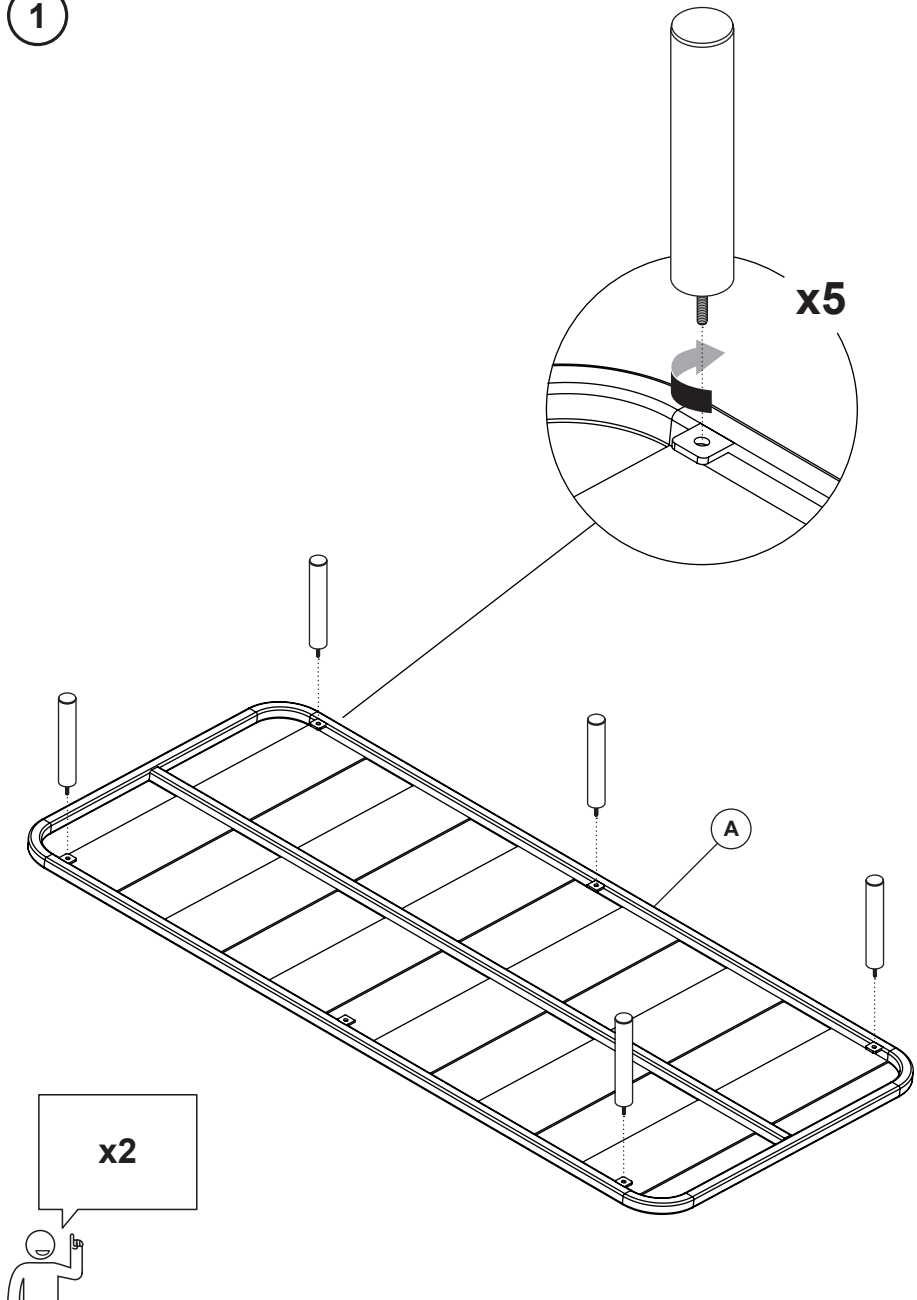
C x2



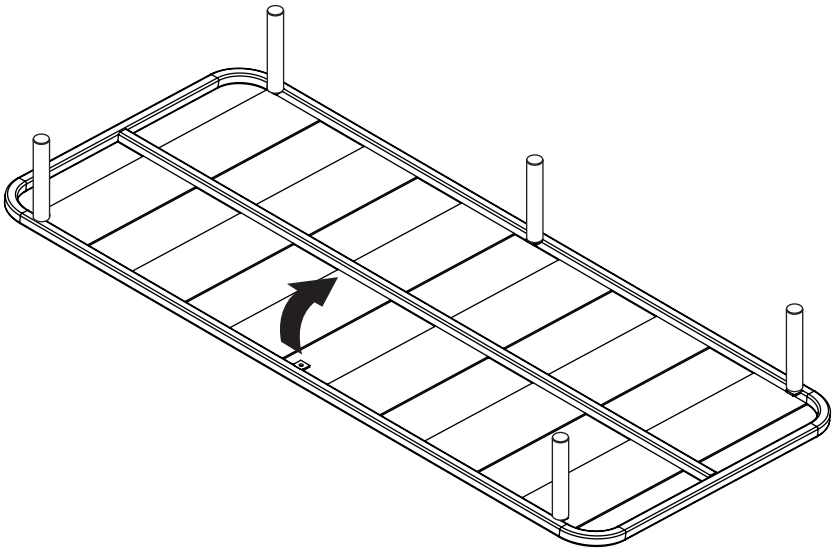
D x2



1



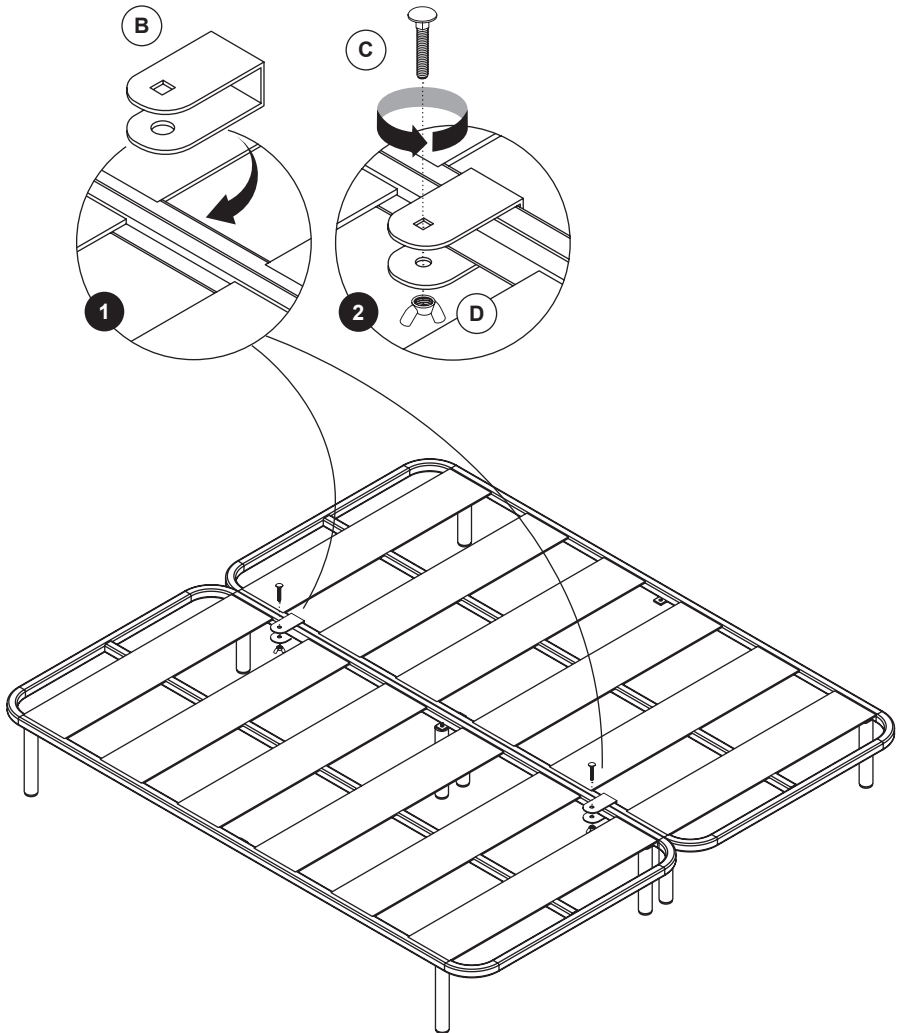
2

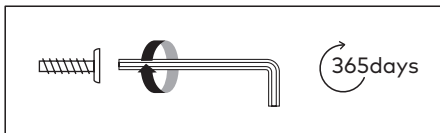
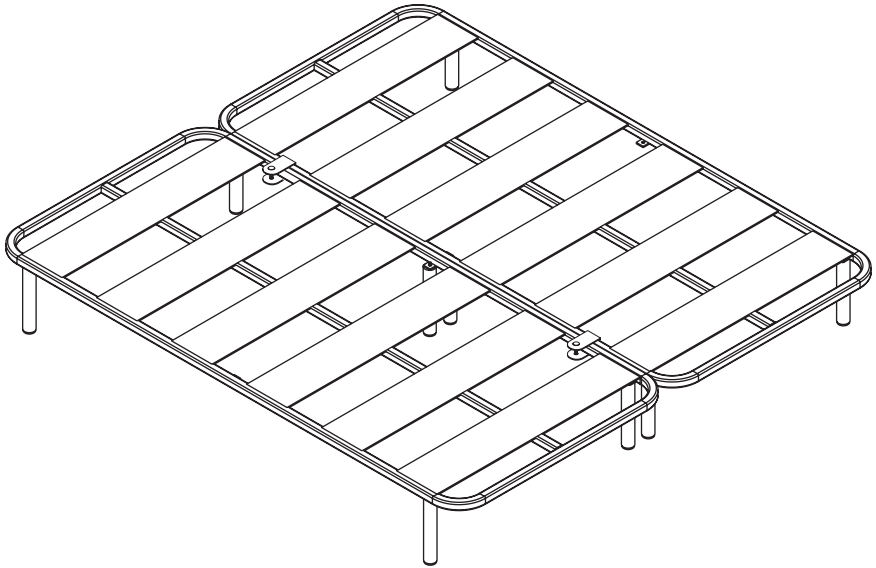


x2



3







THAT'S ALL FOLKS

Share your style!

#KaveHome

