
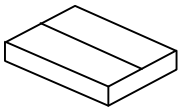
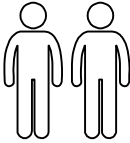
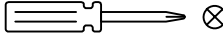
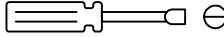
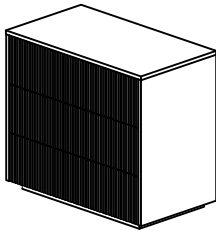
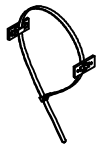


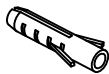
|   |   |   |  |   |
|---|---|---|--|---|
| <br>30 min | <br>x2 | <br>x2 | <br>x1 | <br>x1 |
|---|---|---|--|---|



**Ax1**



**Bx2**



**Cx4**  
Ø8x38

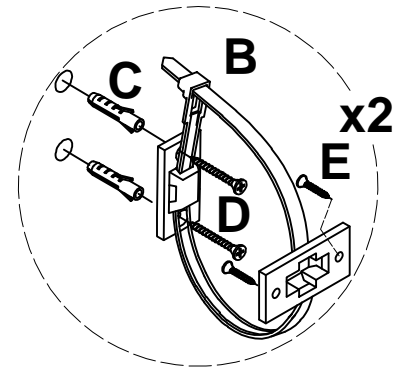
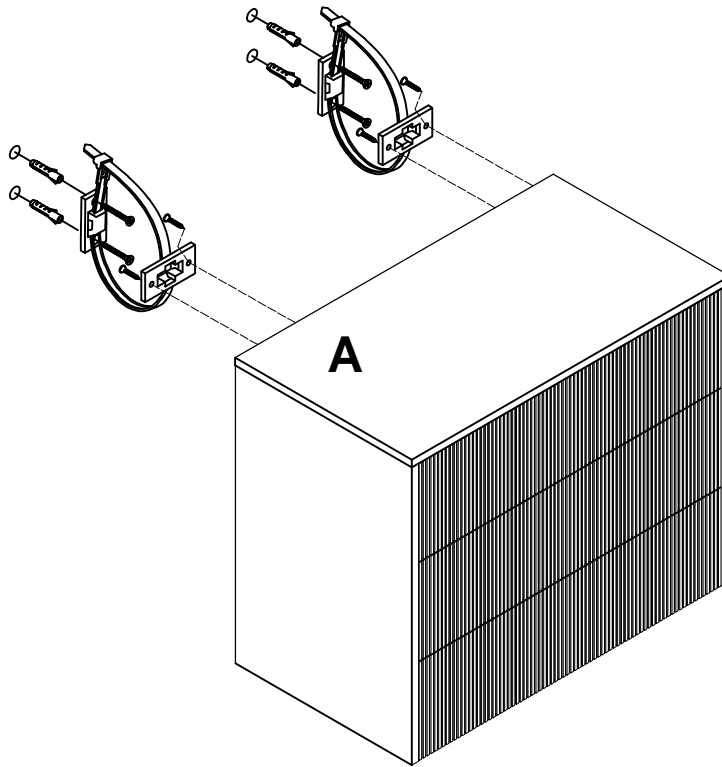


**Dx4**  
Ø7x4x38



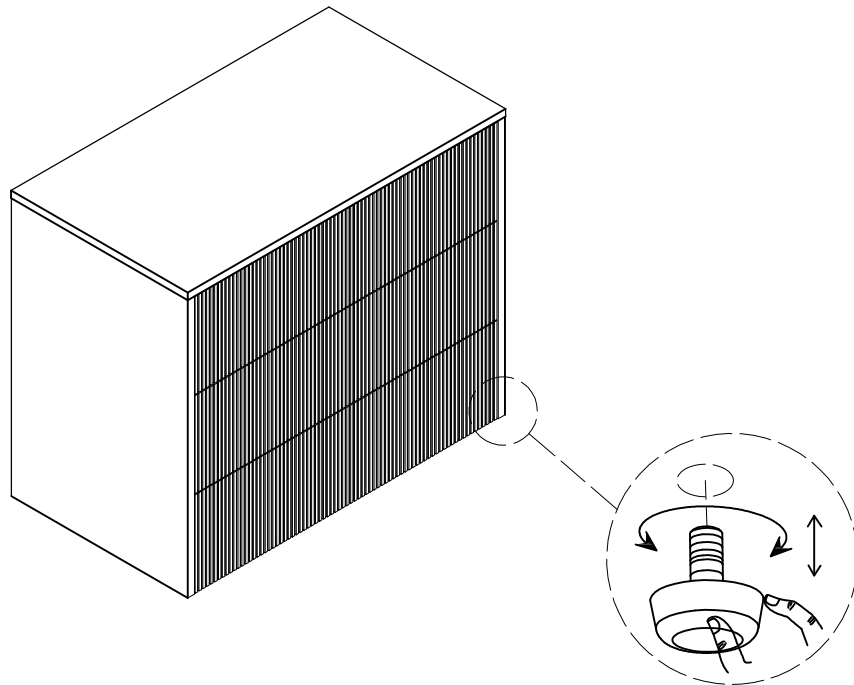
**Ex4**  
Ø7x3.5x18

1



| <b>⚠ WARNING</b>  |  |
|---|--|
|   |  |
| <p><b>Children have died from furniture tipover.</b></p> <ul style="list-style-type: none"> <li>• ALWAYS secure this furniture with an anchor device.</li> <li>• NEVER allow children to stand, climb or hang on drawers, doors, or shelves.</li> </ul> |  |

2









**THAT'S ALL FOLKS**

Share your style!

**#KaveHome**

