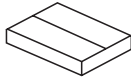


Kave® Cares



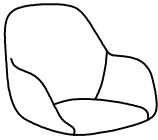
45 min



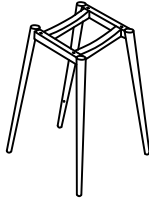
x2



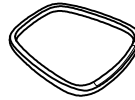
x2



A x1



B x1



C x1



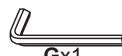
Dx4
M6x55mm



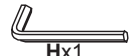
E x4
M5x35mm



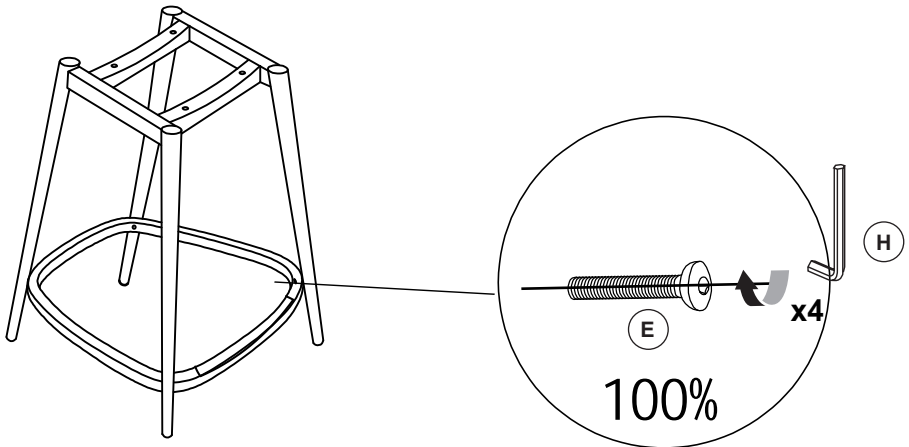
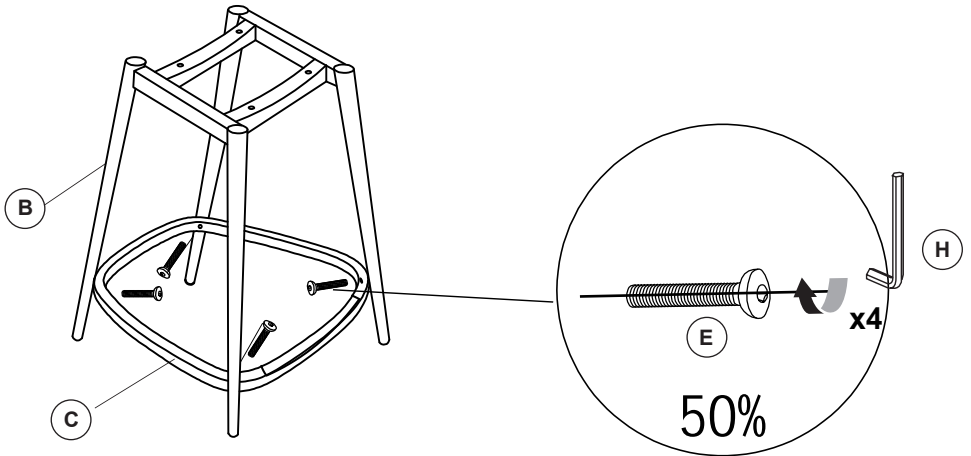
Fx4
Ø16x1.2

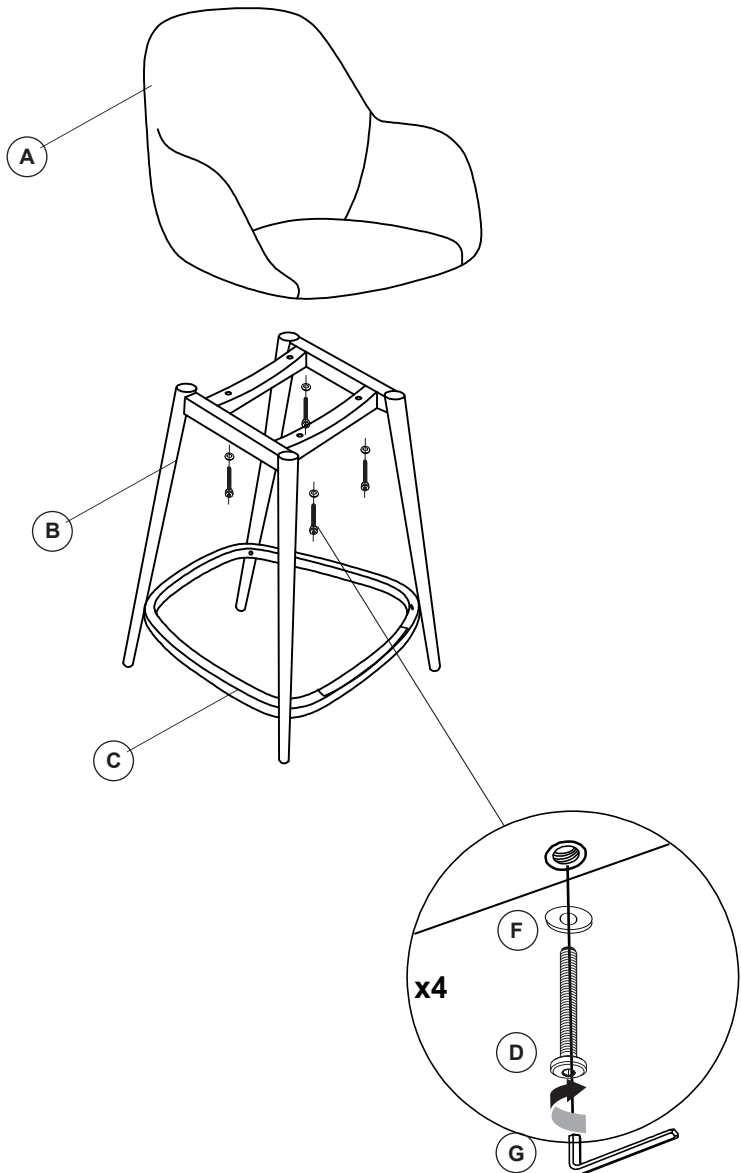


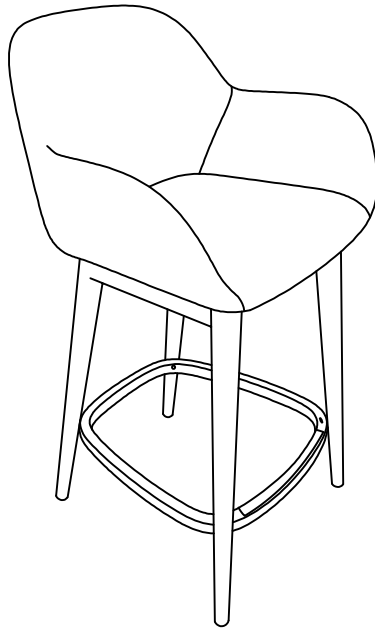
Gx1
M4x1



Hx1
M3x1









THAT'S ALL FOLKS

Share your style!

#KaveHome

