
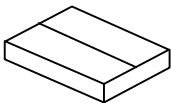
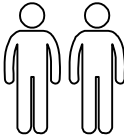
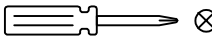
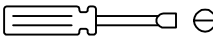
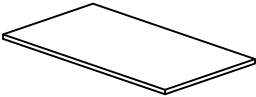
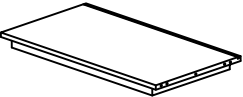
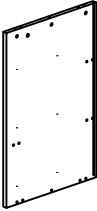

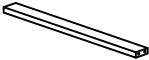

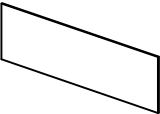
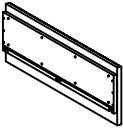

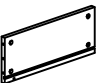




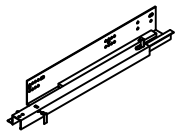


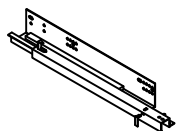
Kave® Cares

				
30 min	x2	x2	x1	x1

- |   |   |   |   |
|---|---|---|---|
|    |    |    |    |
| ①x1   | ②x1   | ③x1   | ④x1   |
|  |  |  |   |
| ⑤x1   | ⑥x2   | ⑦x3   | ⑧x3   |
|  |  |  |  |
| ⑨x3   | ⑩x3   | ⑪x3   | ⑫x3   |
|  |  |   |   |
| ⑬x3   | ⑭x1   |   |   |



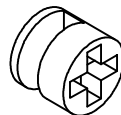
**Ax3**



**Bx3**



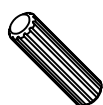
**Cx36**  
Ø3.5x15mm



**Dx48**



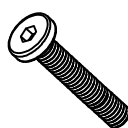
**Ex48**



**Fx38**  
8x30mm



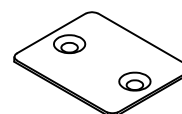
**Gx10**  
M6x16mm



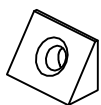
**Hx3**  
M6x40mm



**Ix1**  
M4



**Jx4**



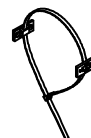
**Kx16**



**Lx16**  
3.0x18mm



**Mx24**



**Nx2**



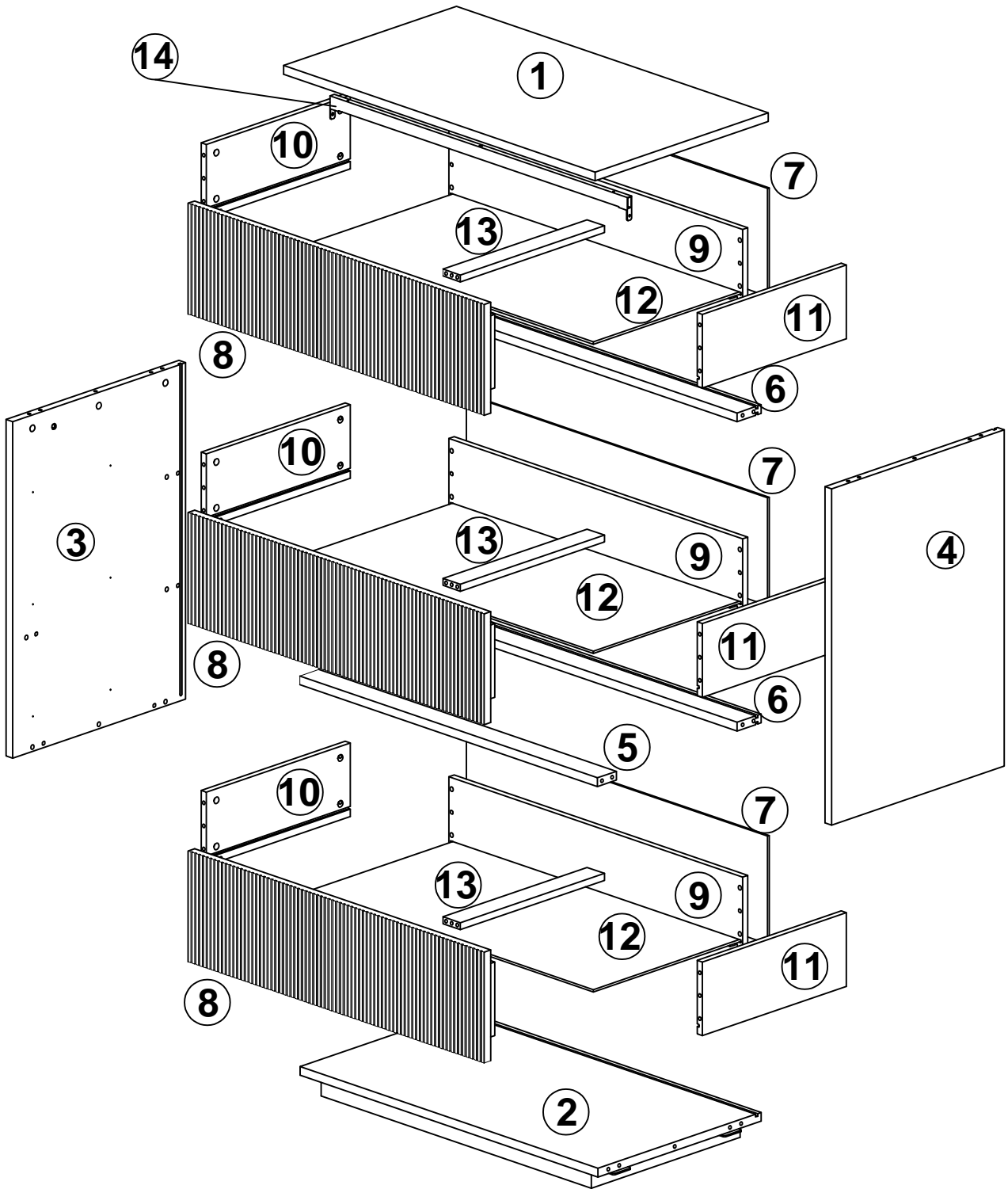
**Ox4**  
Ø8x38



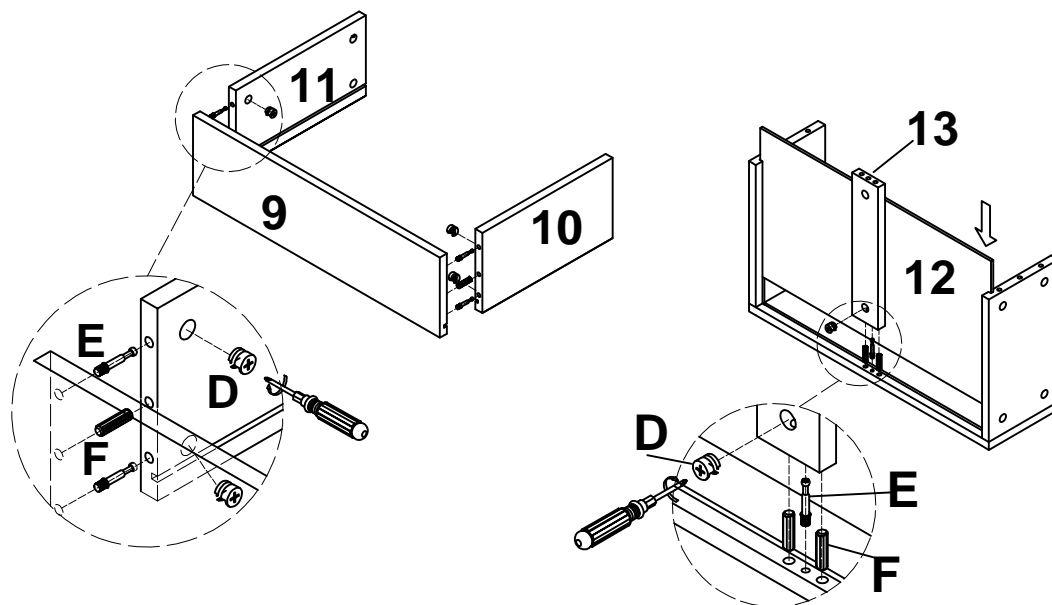
**Px4**  
Ø7x4x38



**Qx4**  
Ø7x3.5x18

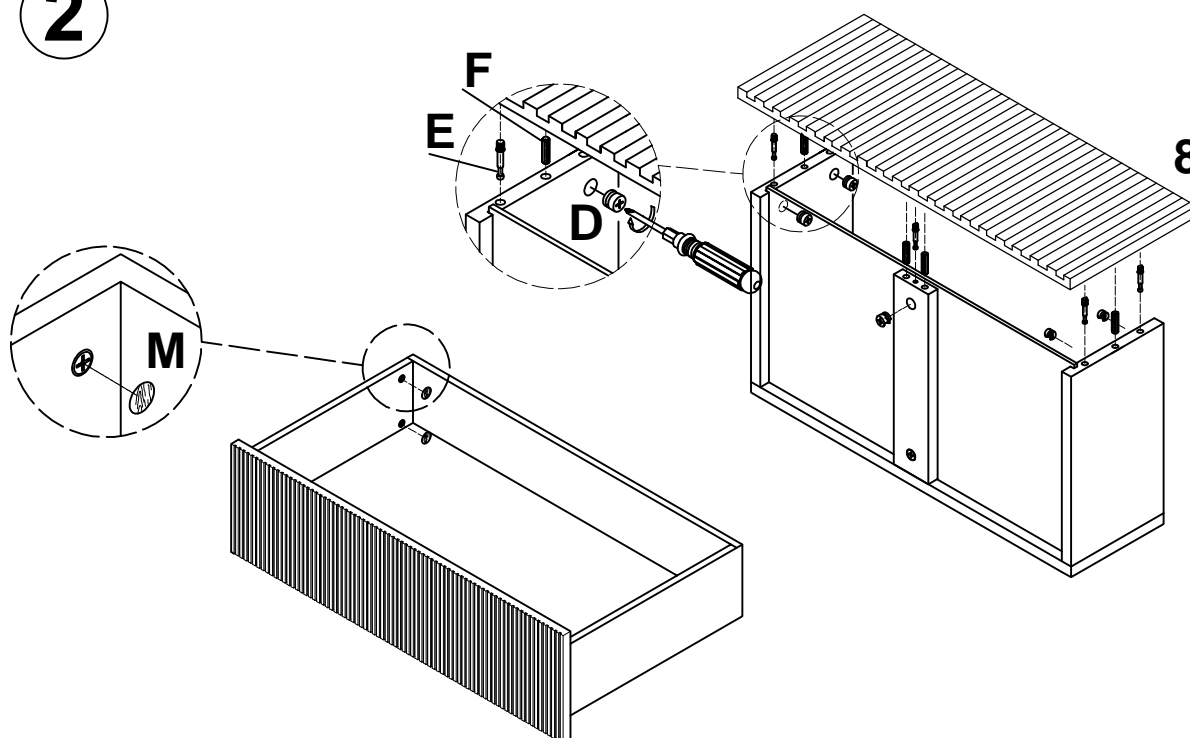


1



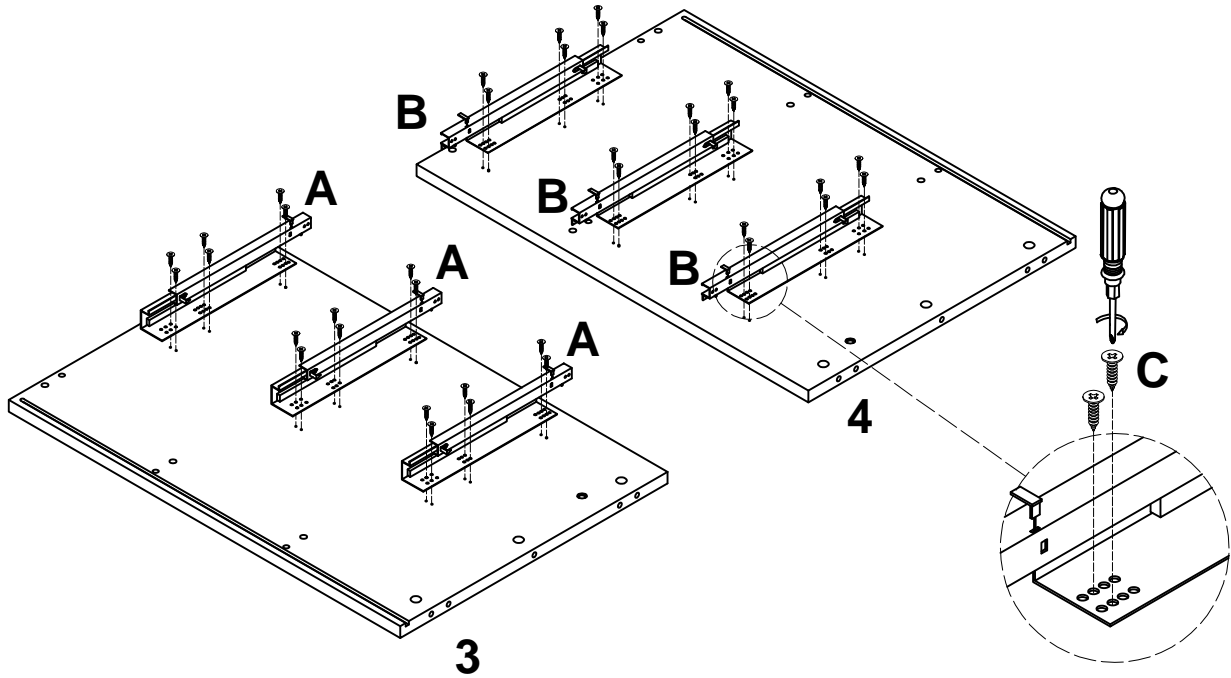
x 3

2

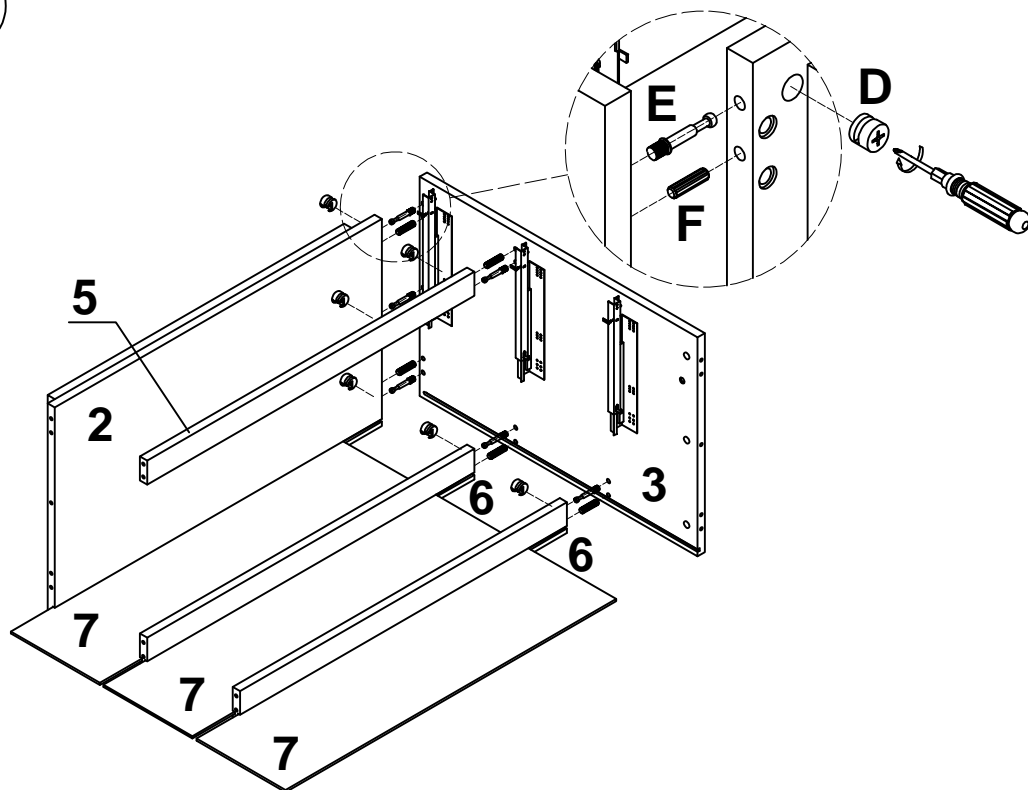


x 3

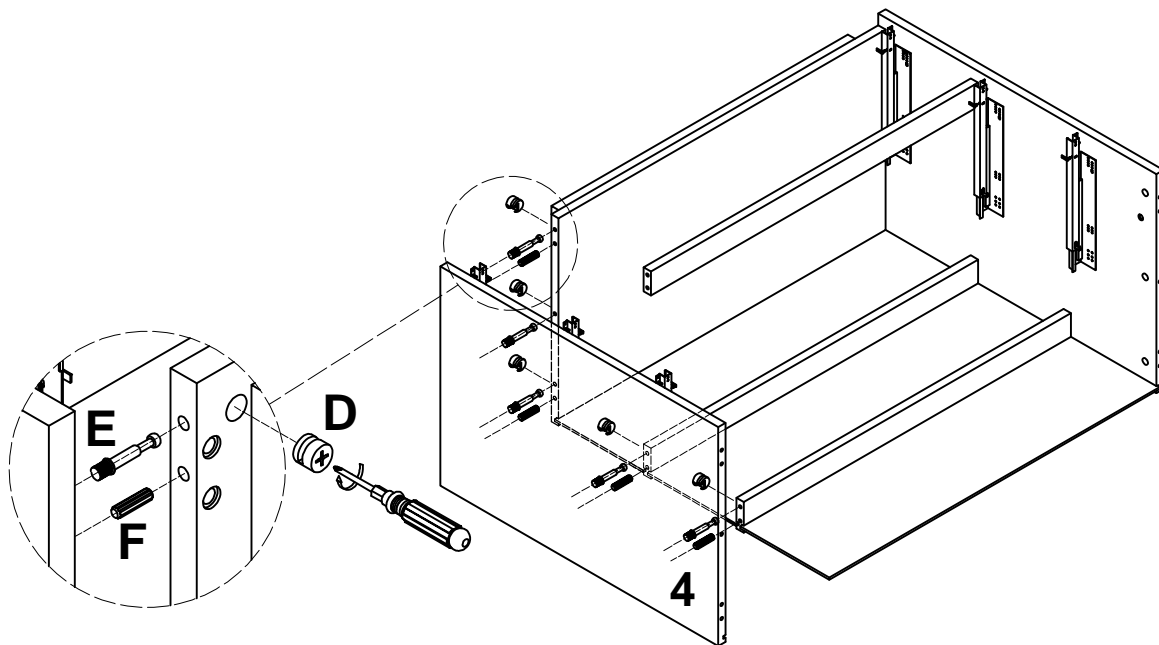
3



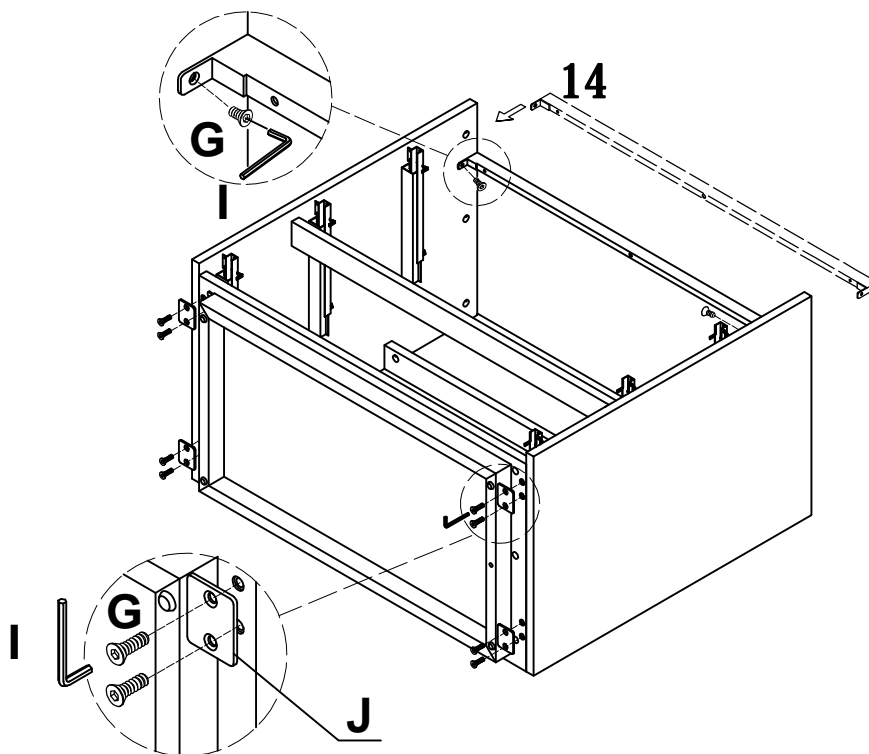
4



5

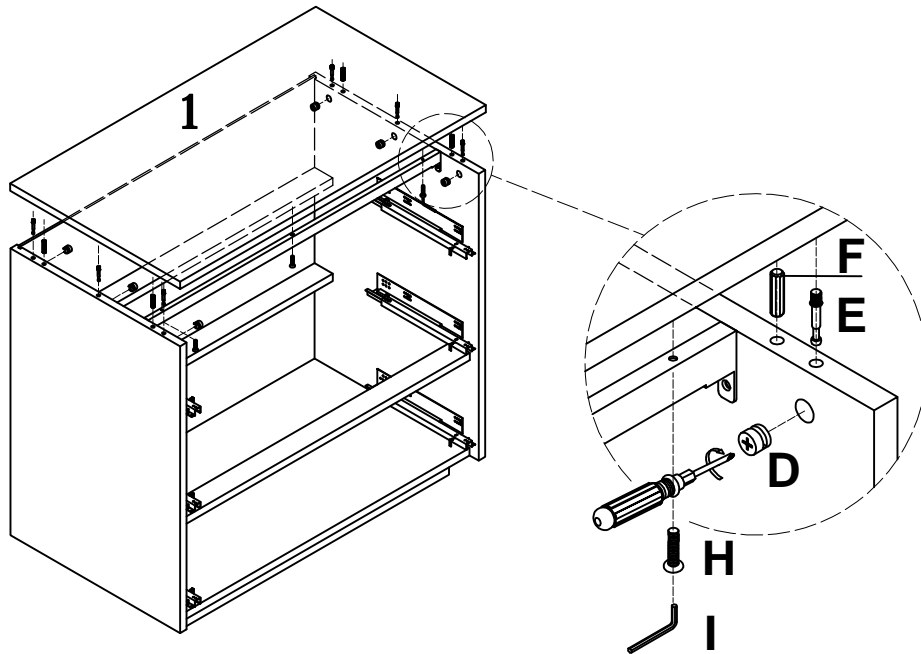


6

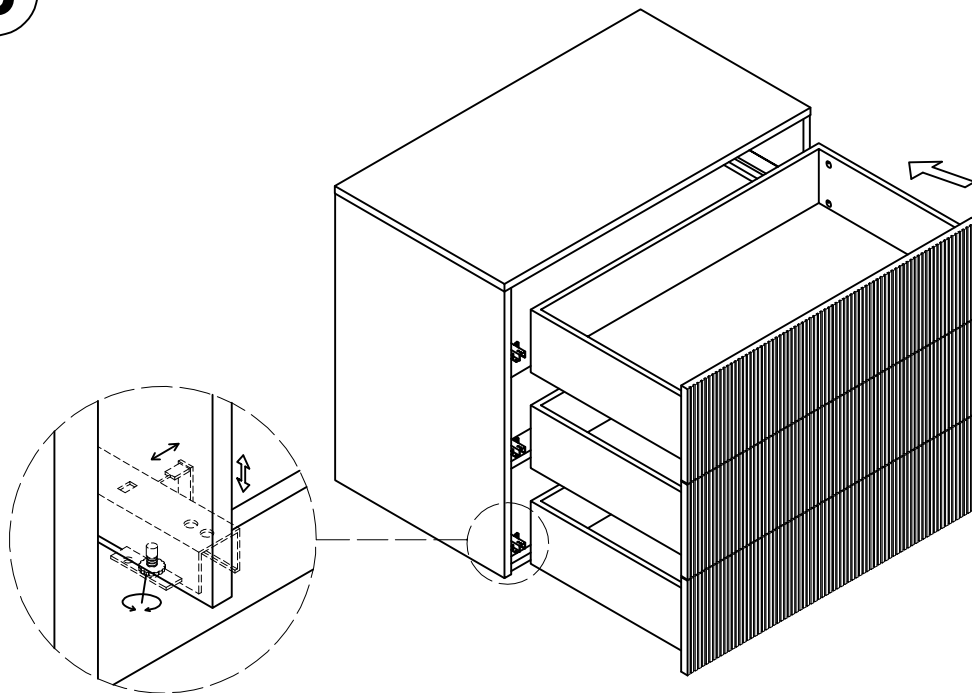




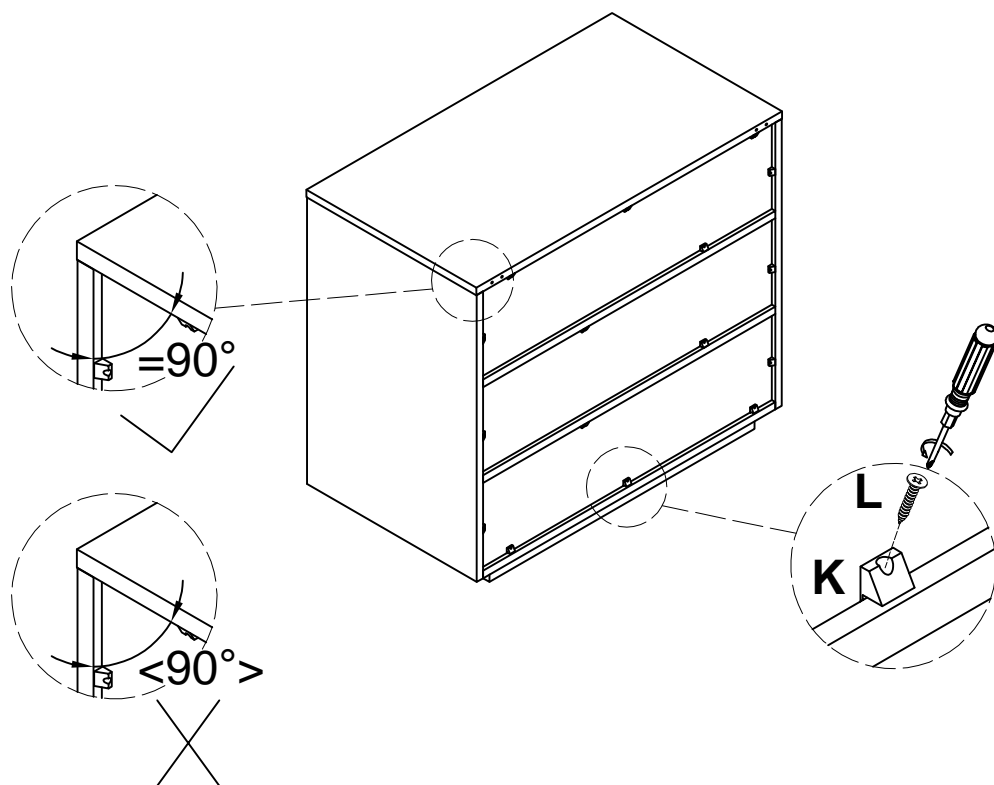
7



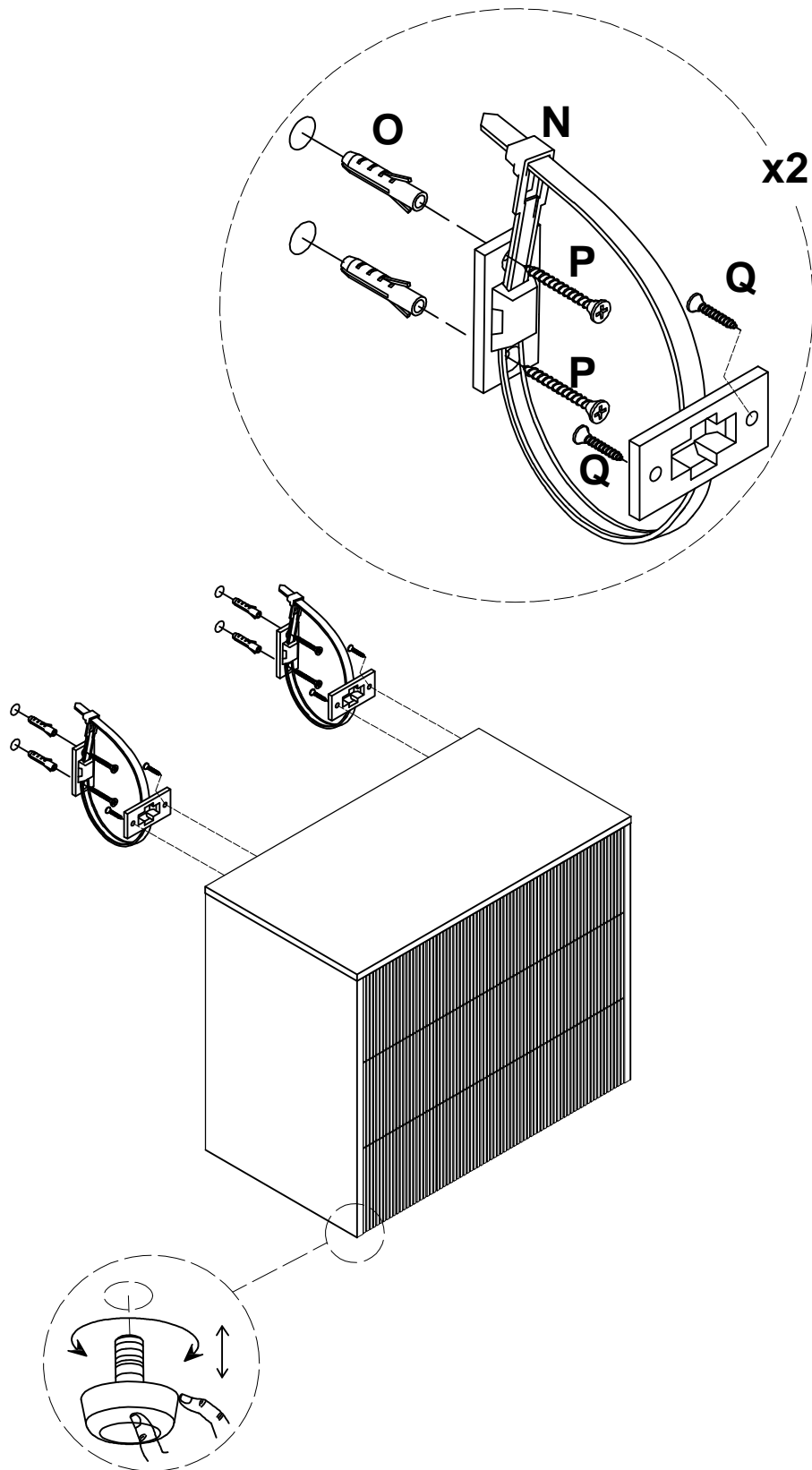
8



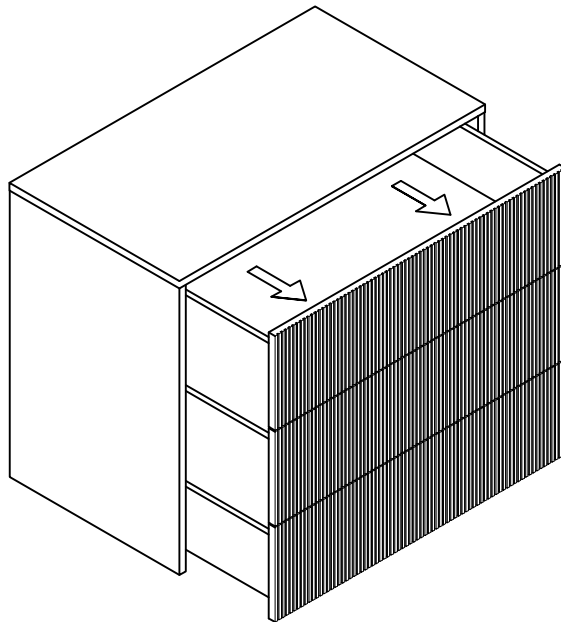
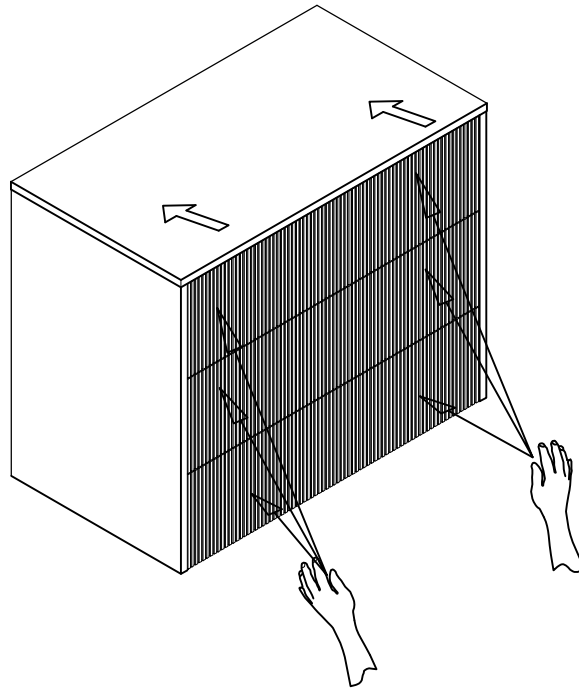
9



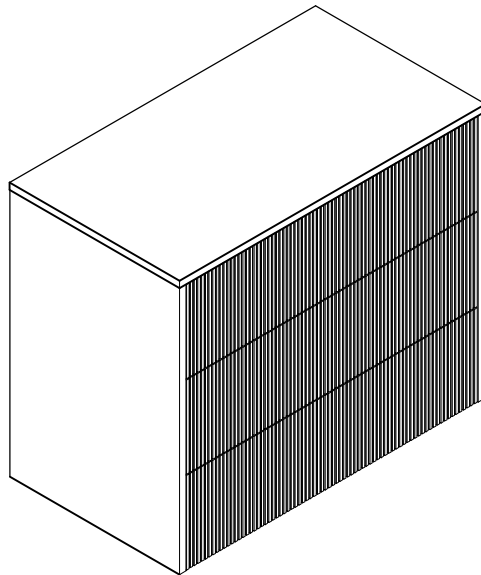
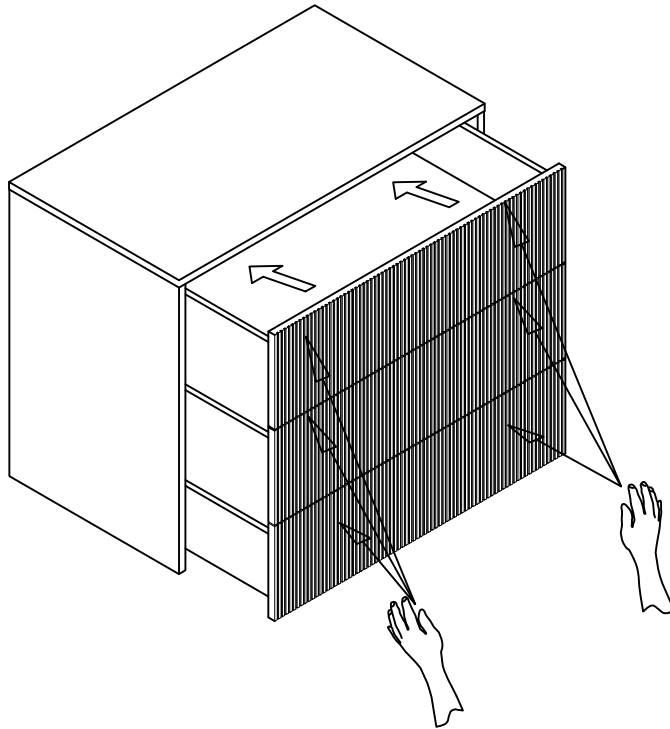
10



11



12









**THAT'S ALL FOLKS**

Share your style!

**#KaveHome**

