
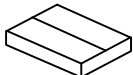
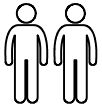
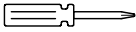


Kave® Cares

			
40 min	x 1	x2	x1



Ax12(m4x25)



Bx22(ø15x12)



Cx22(M6x45)



Dx40(ø8x30)



Ex7(ø3.5x35)



Fx16(ø5x14)



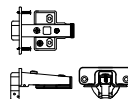
Gx6
(ø23x7-M8x25)



Hx48(ø4x14)



Ix16



Jx8(ø35)



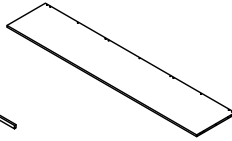
Kx4(ø10*17)



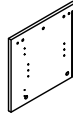
Lx10(ø20)



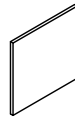
(1)x1



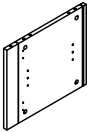
(2)x1



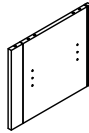
(3)x1



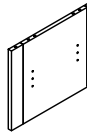
(4)x1



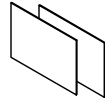
(5)x1



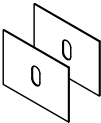
(6)x1



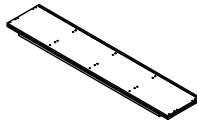
(7)x1



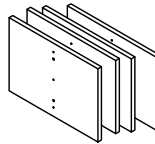
(8)x2



(10)x2



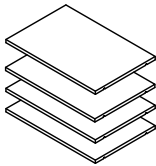
(11)x1



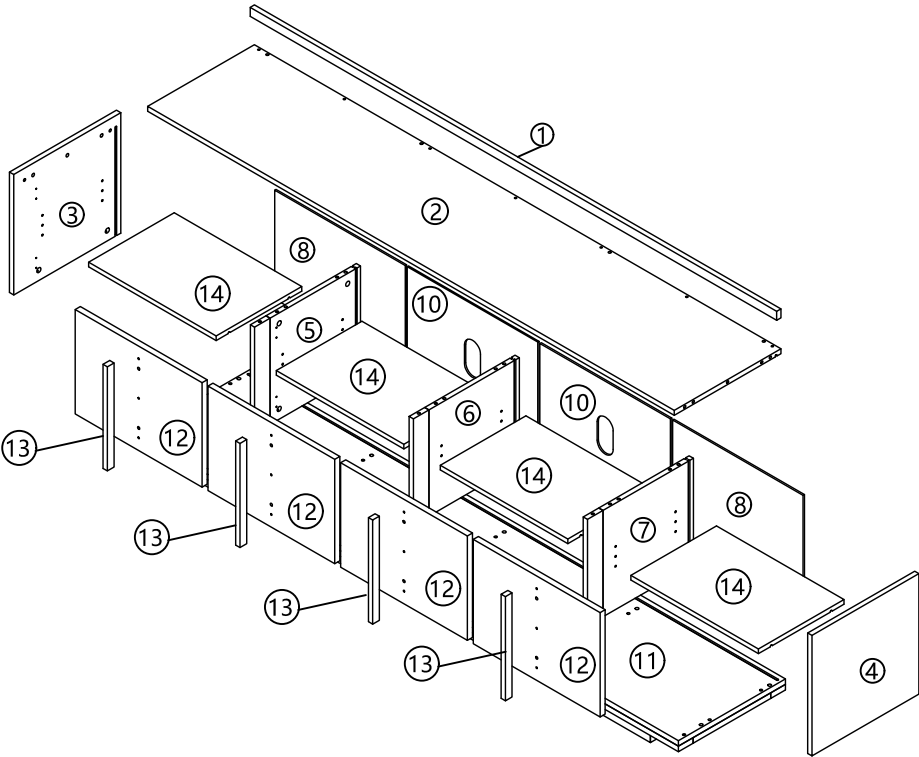
(12)x4



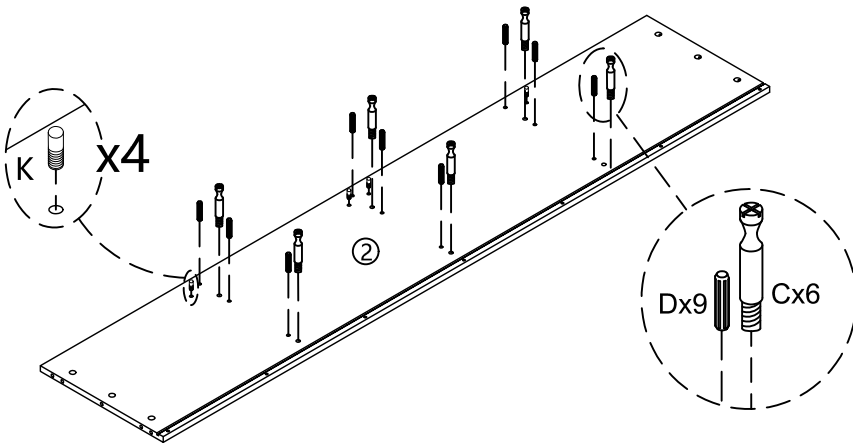
(13)x4



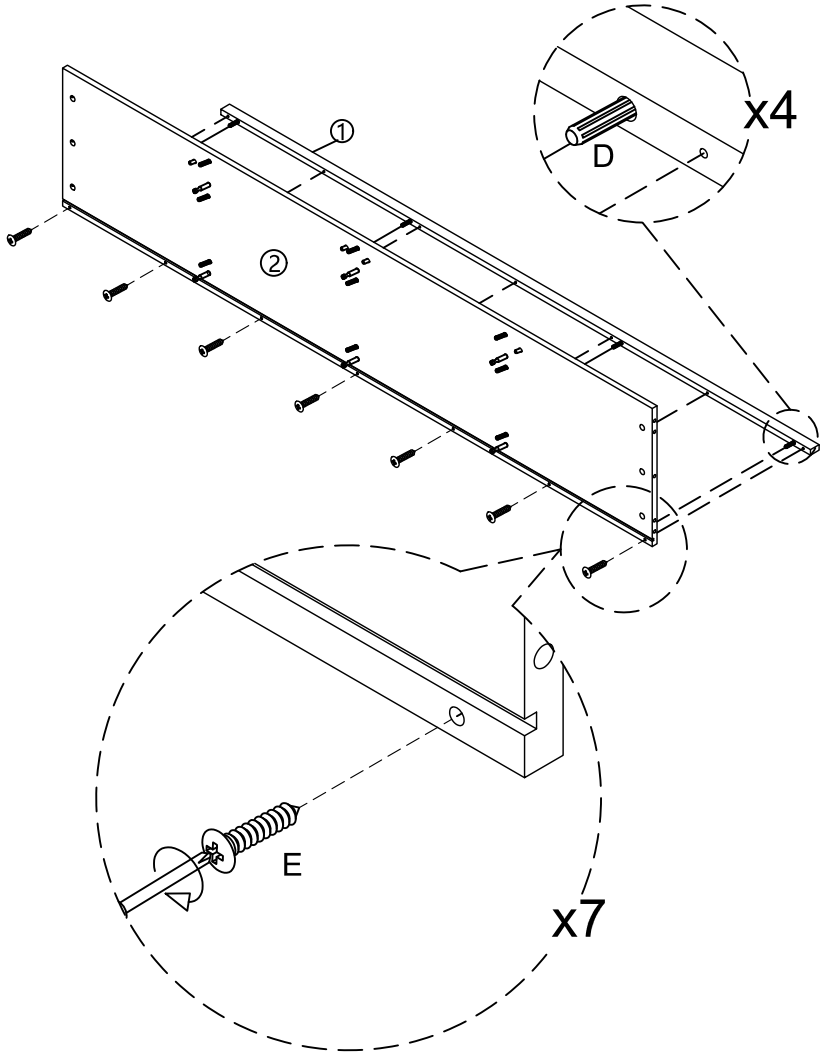
(14)x4



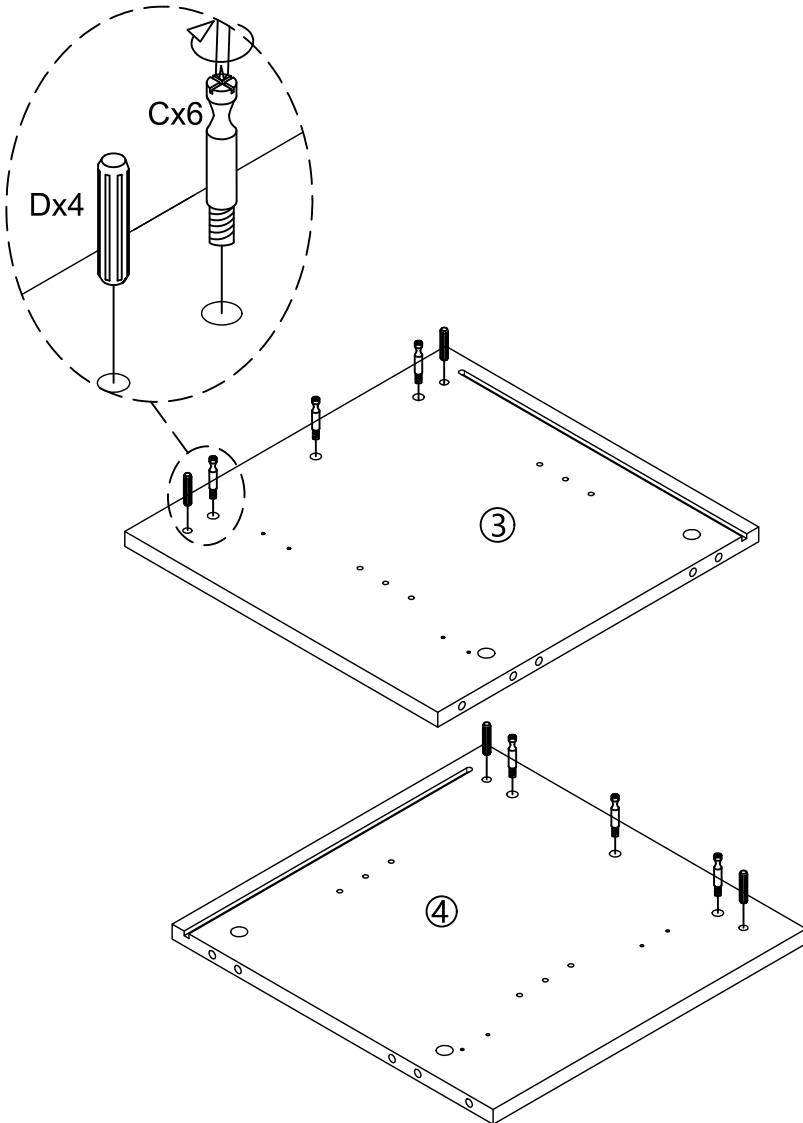
1



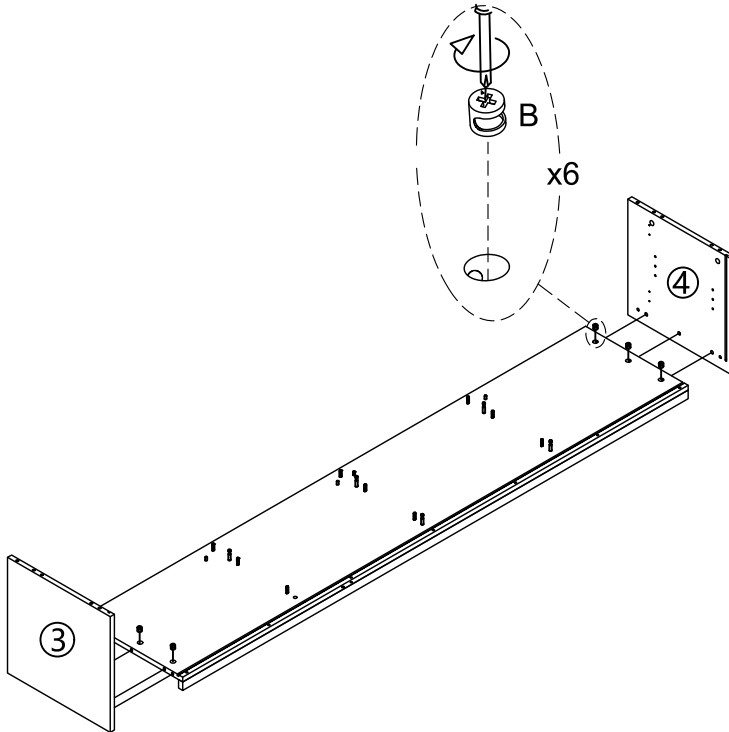
2



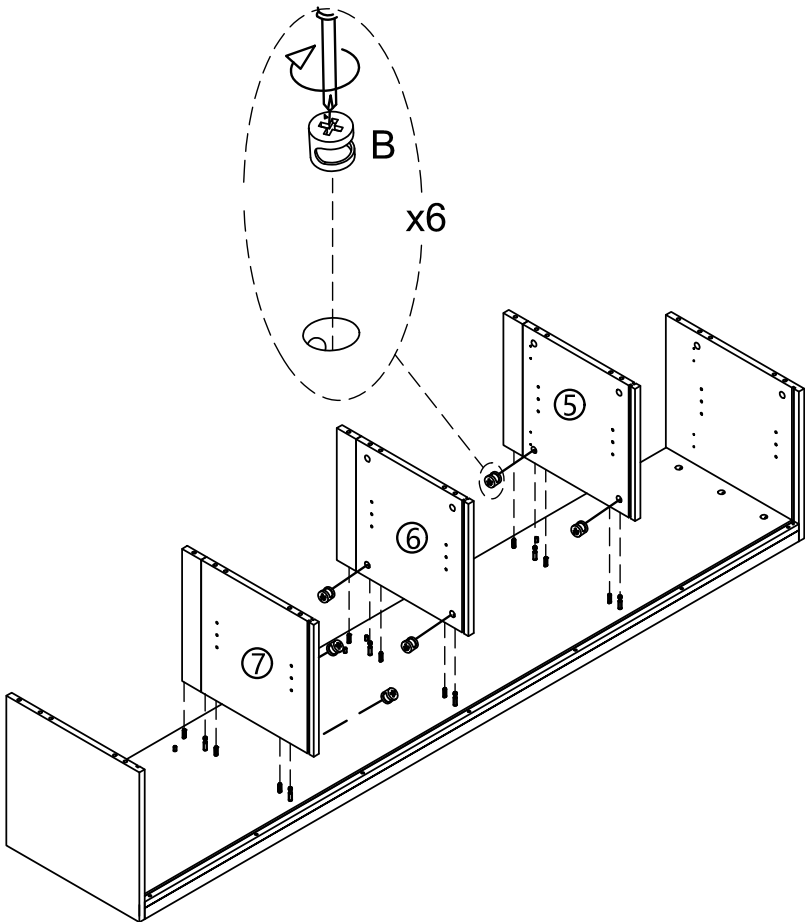
3



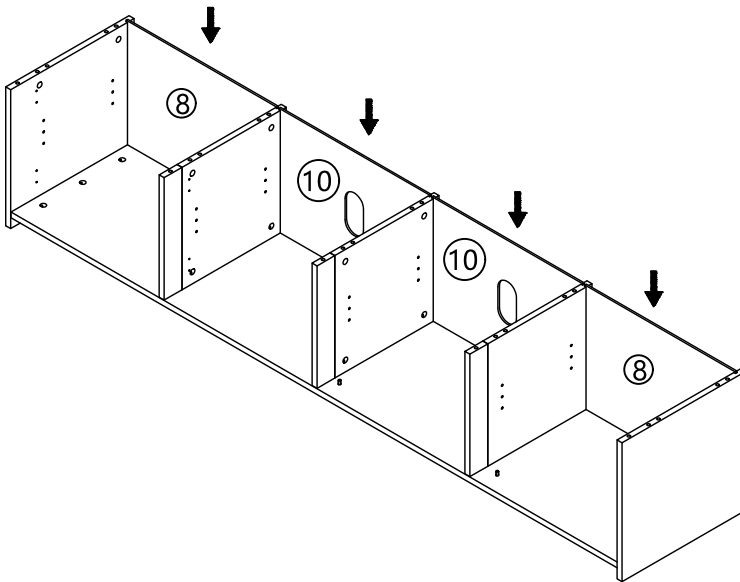
4



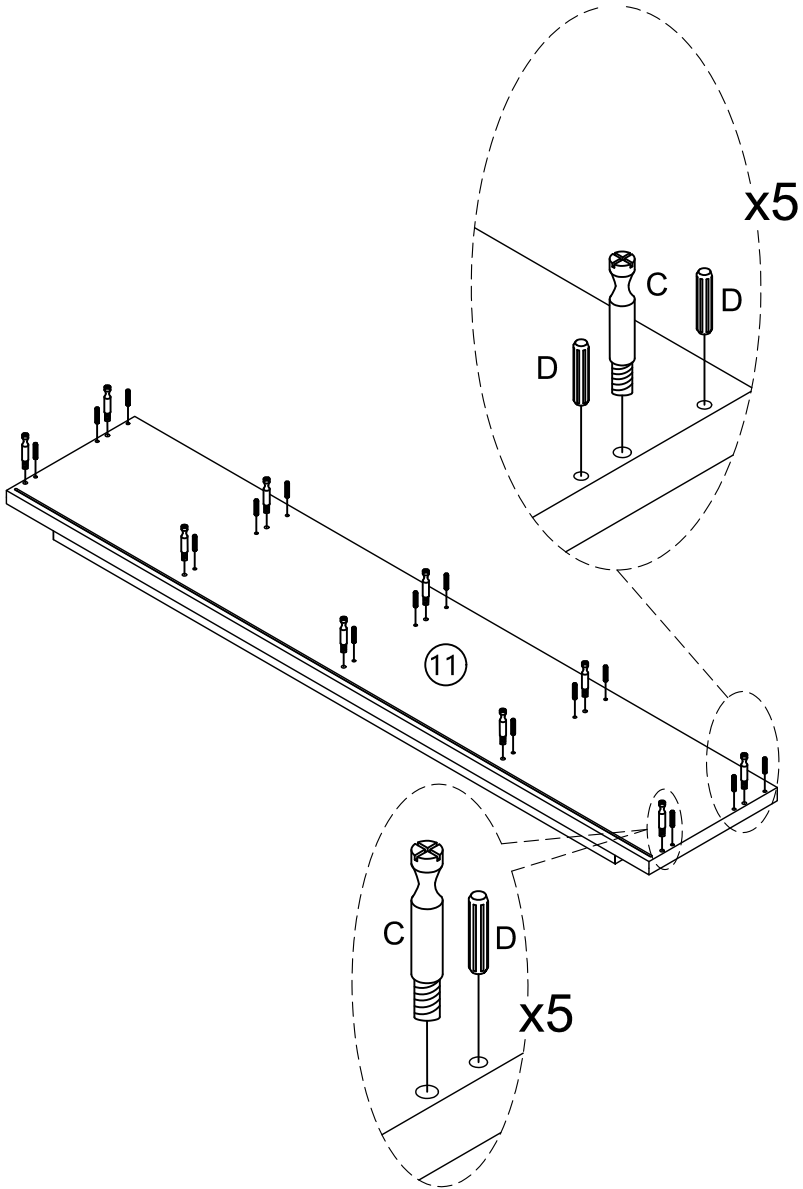
5



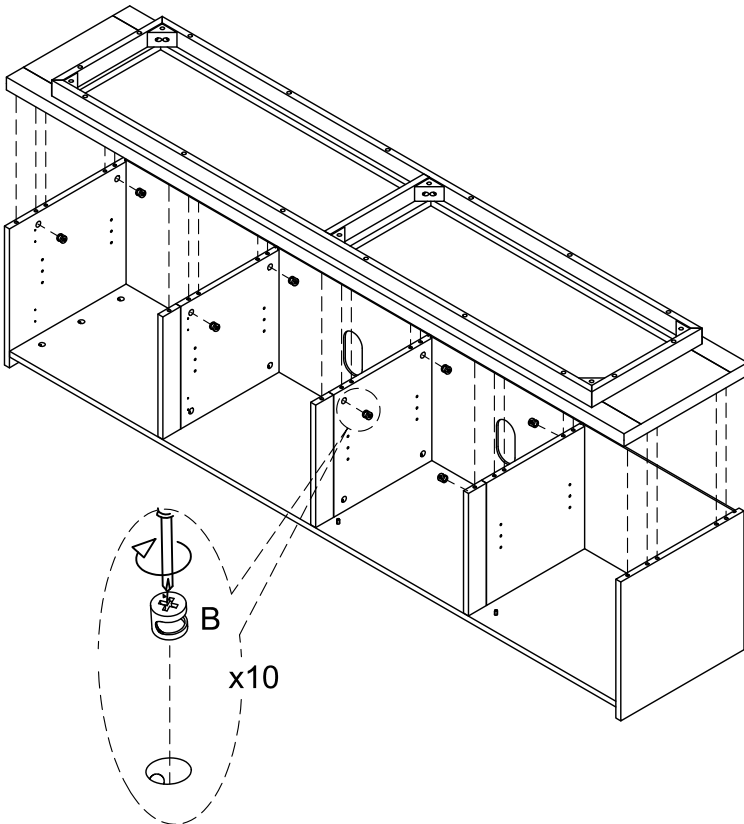
6



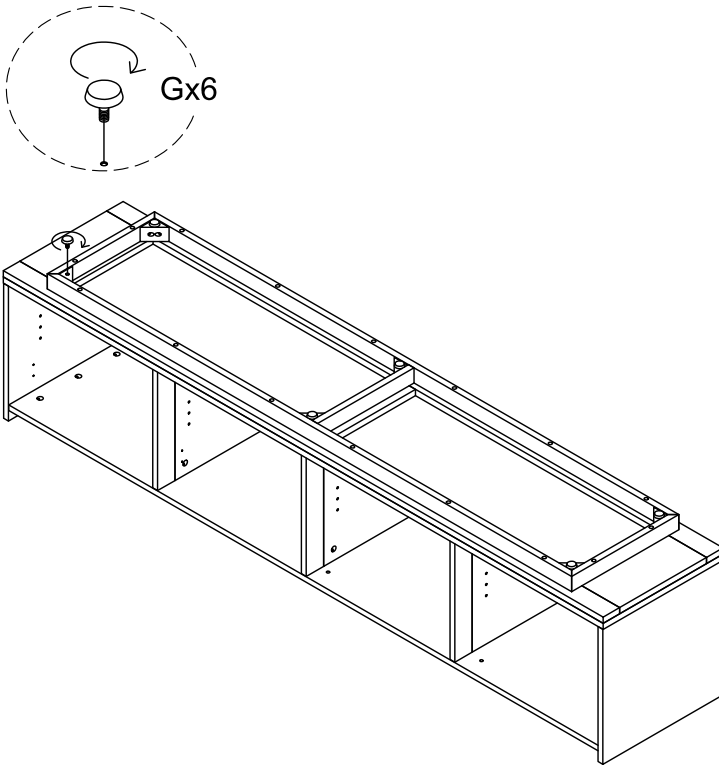
7



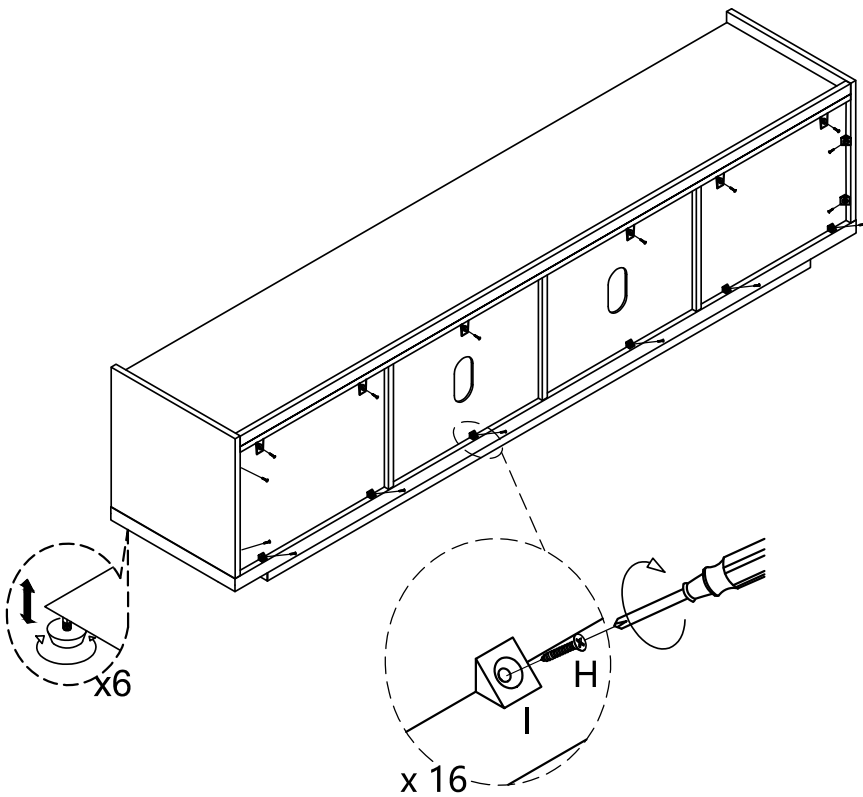
8



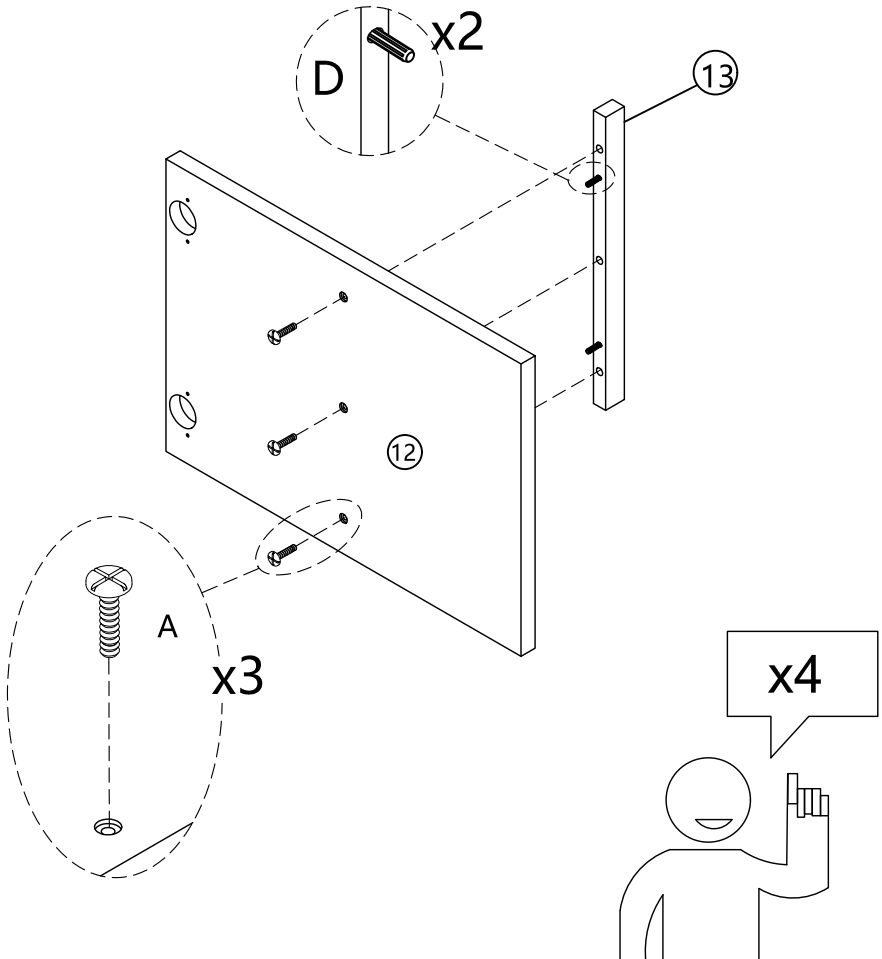
9



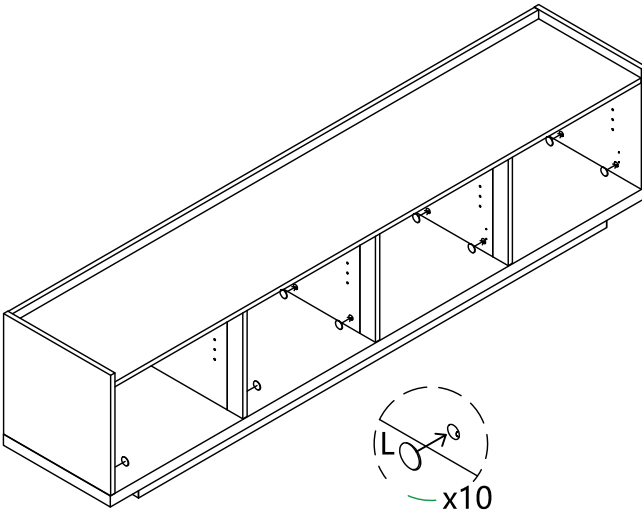
10



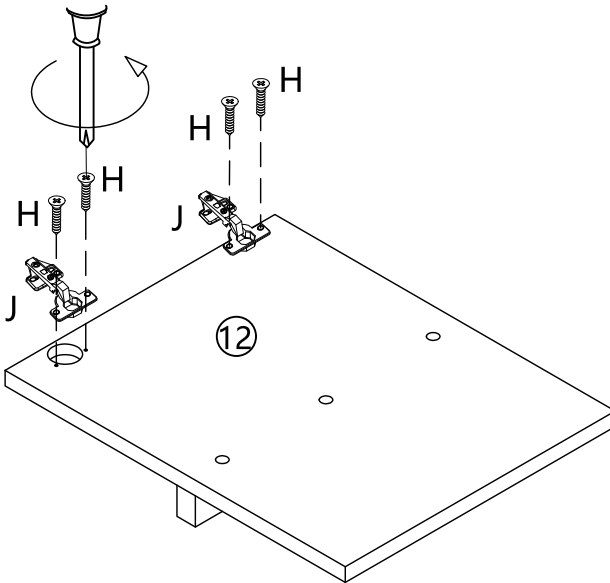
11



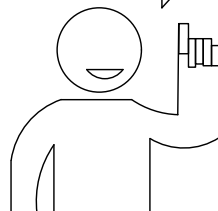
12



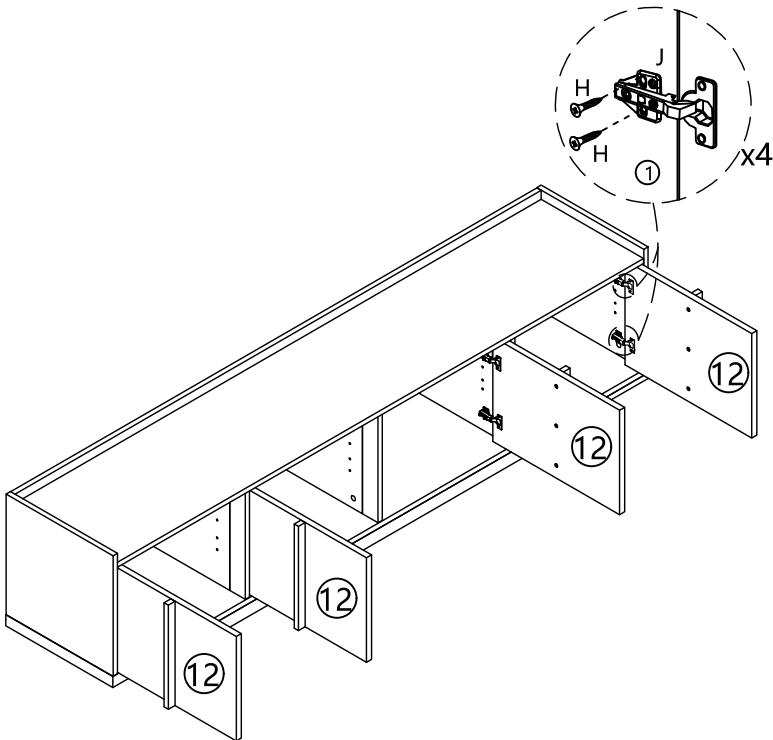
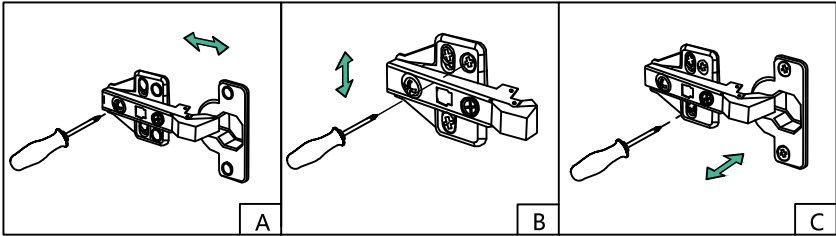
13



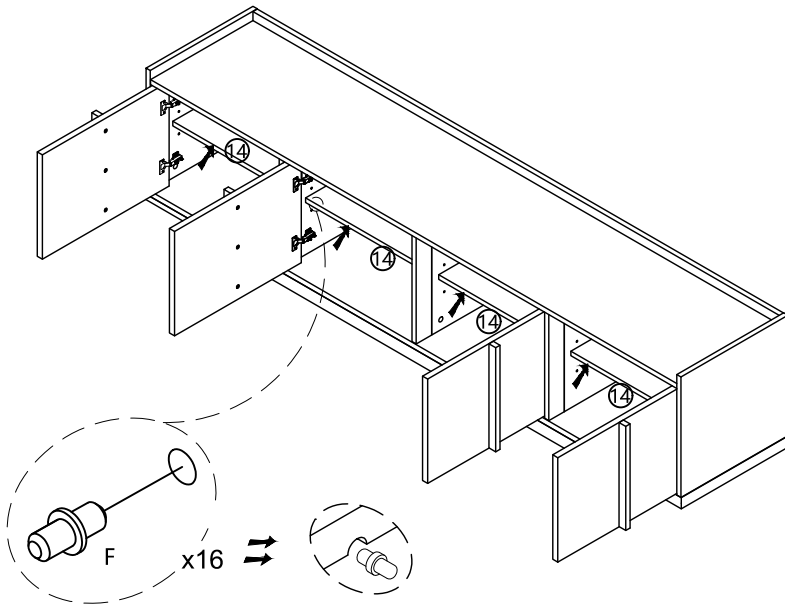
x4



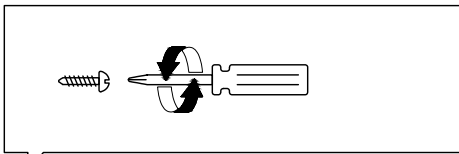
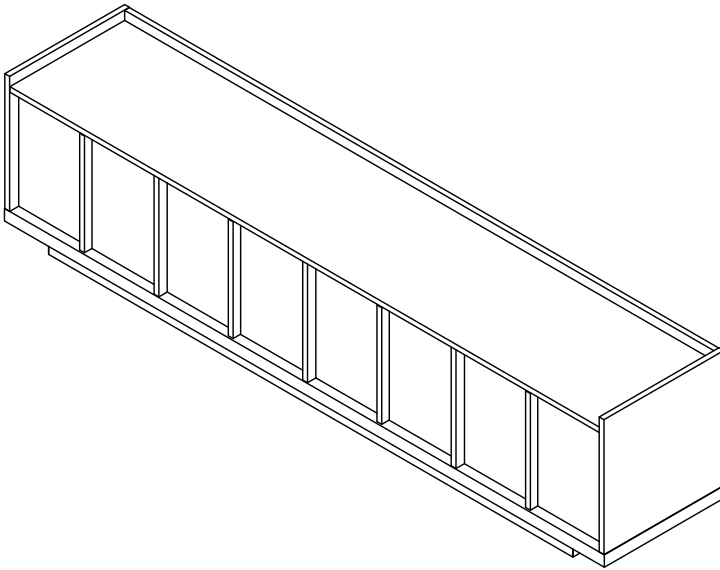
14



15



16



17

16



THAT'S ALL FOLKS

Share your style!

#KaveHome

