

Kave® Cares



10 min



x1



x1



A x1



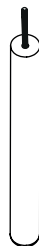
B x1



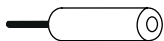
C x1



D x1



E x1



F x2



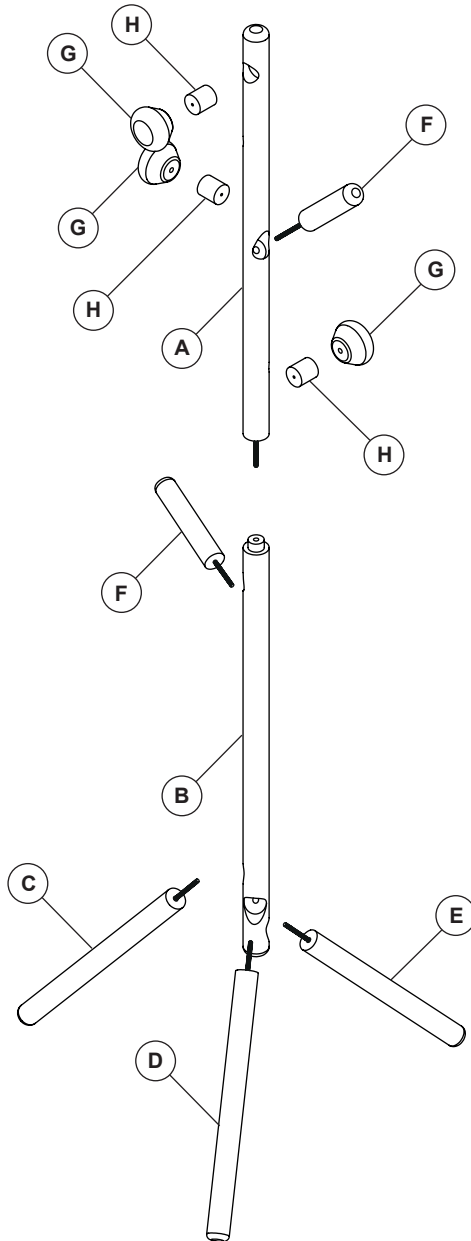
G x3



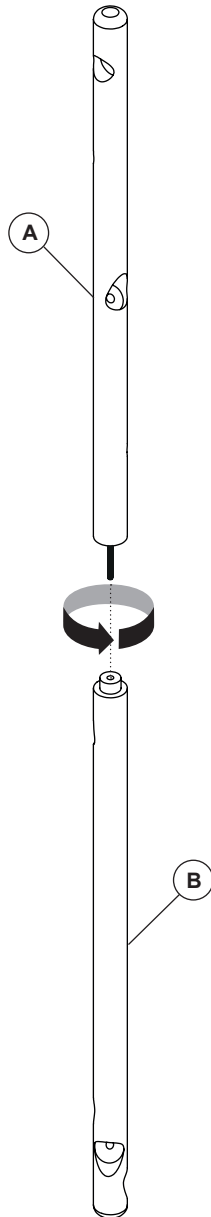
H x3



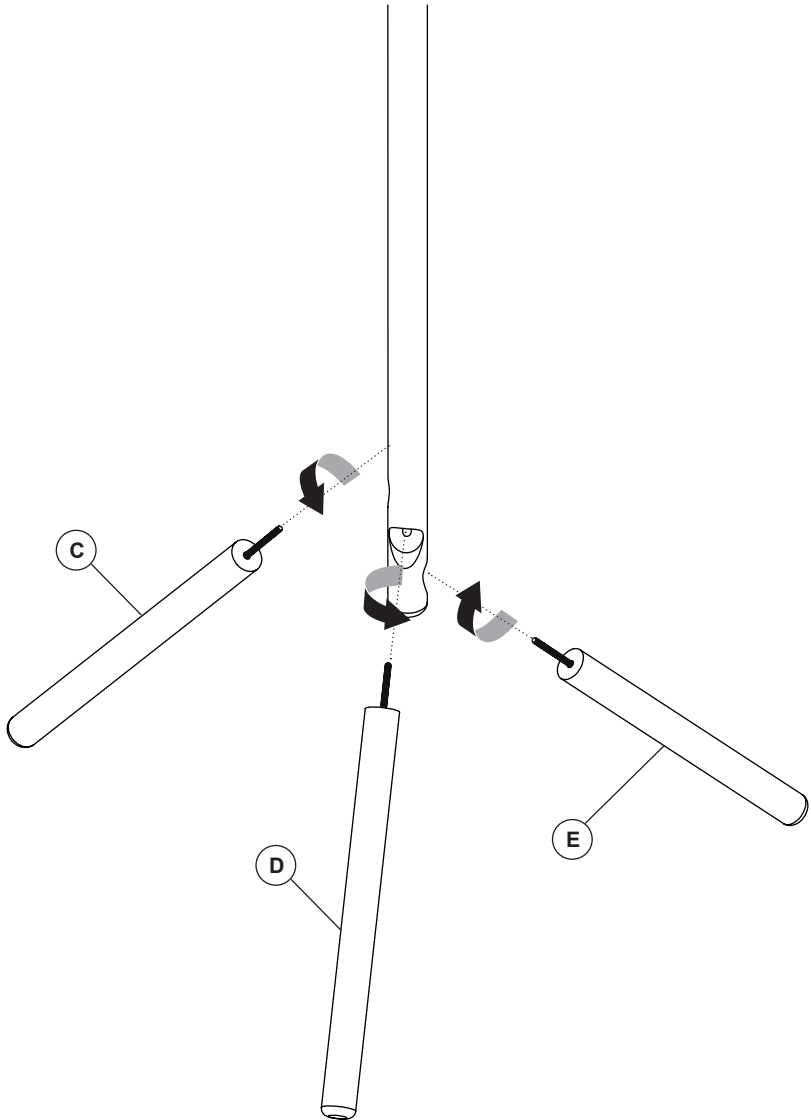
I x3  
M4x70mm



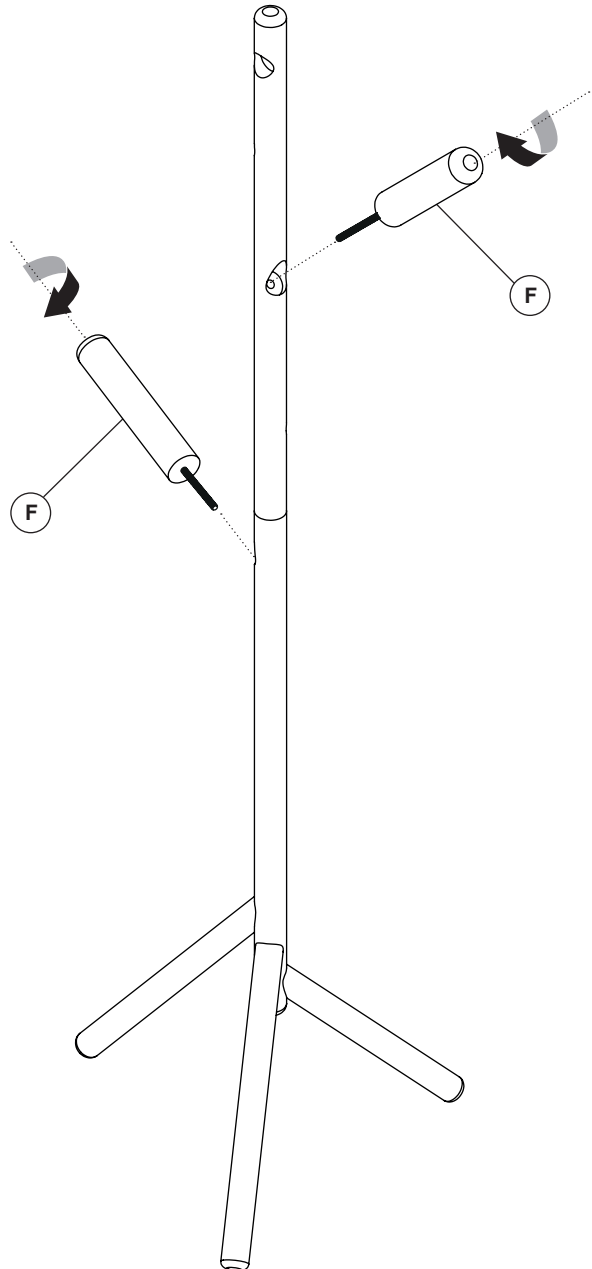
1



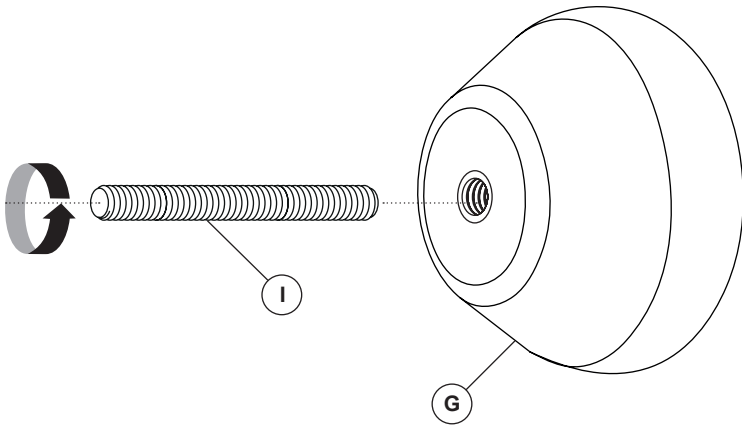
2



3



4

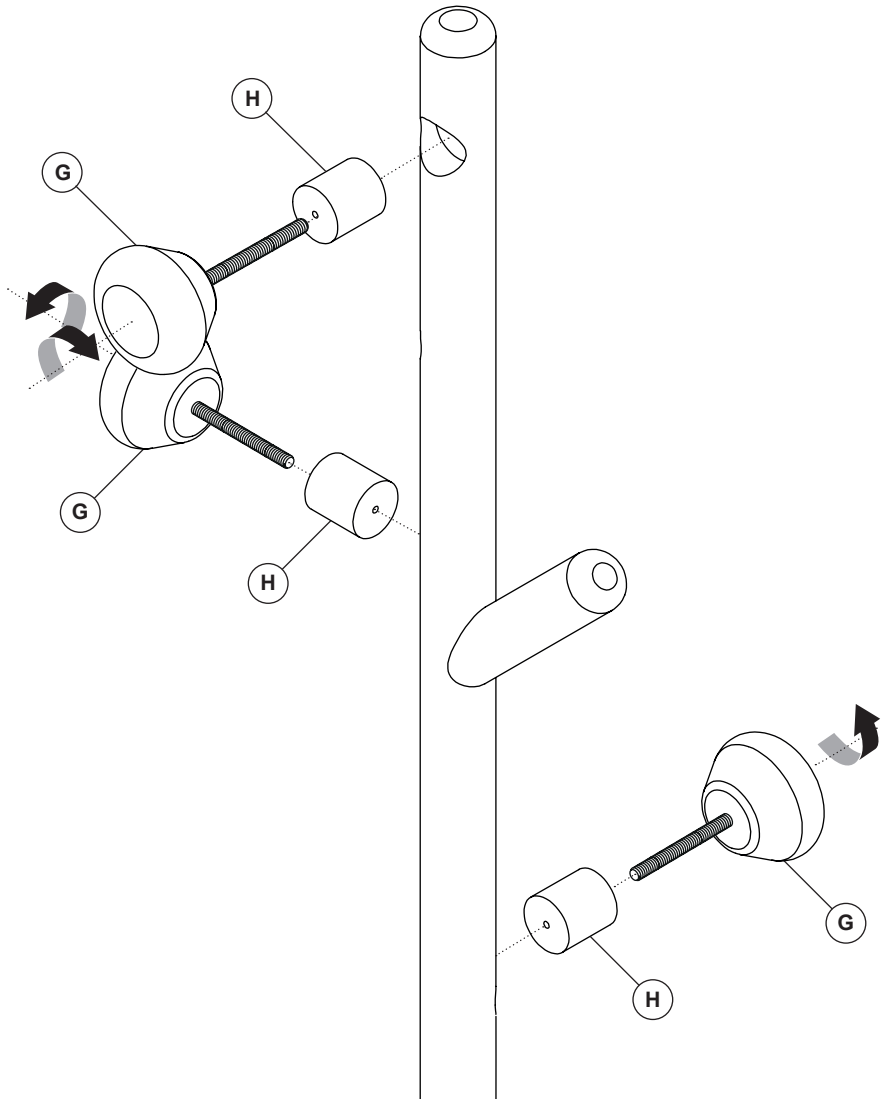


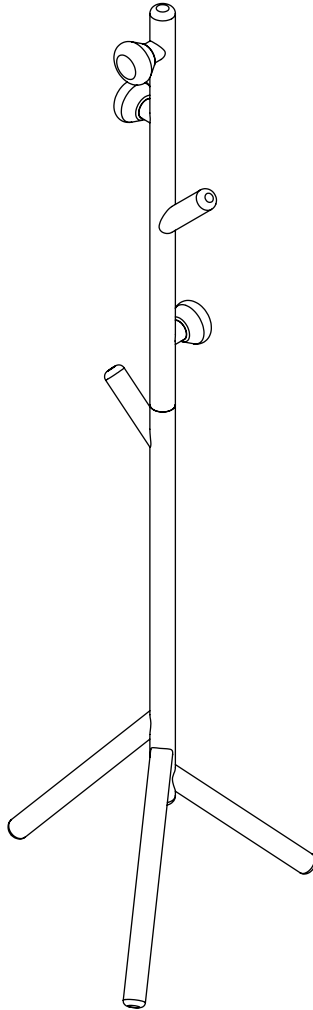
x3





5









**THAT'S ALL FOLKS**

Share your style!

#KaveHome

