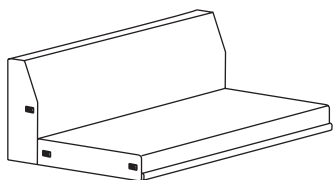
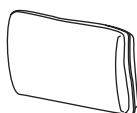

15 min	x2	x2



**A x1**



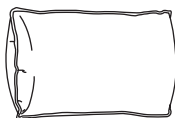
**B x1**



**C x1**



**D x2**



**E x2**



**F x4**



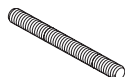
**G x1**



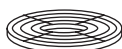
**H x6**  
M8



**I x6**  
M8



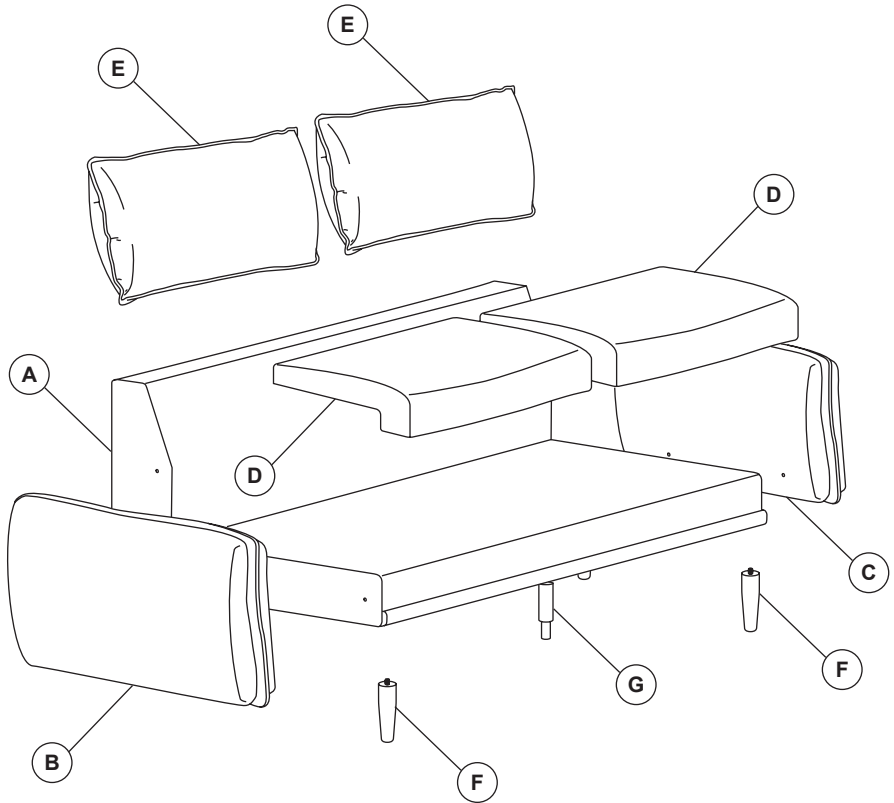
**J x6**  
M8x80



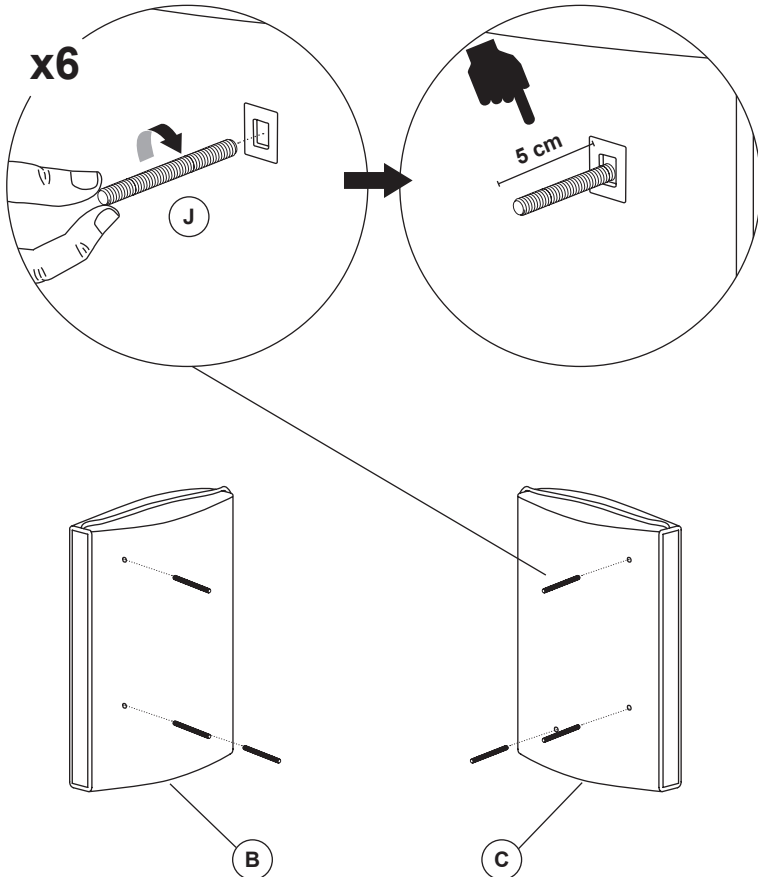
**K x4**



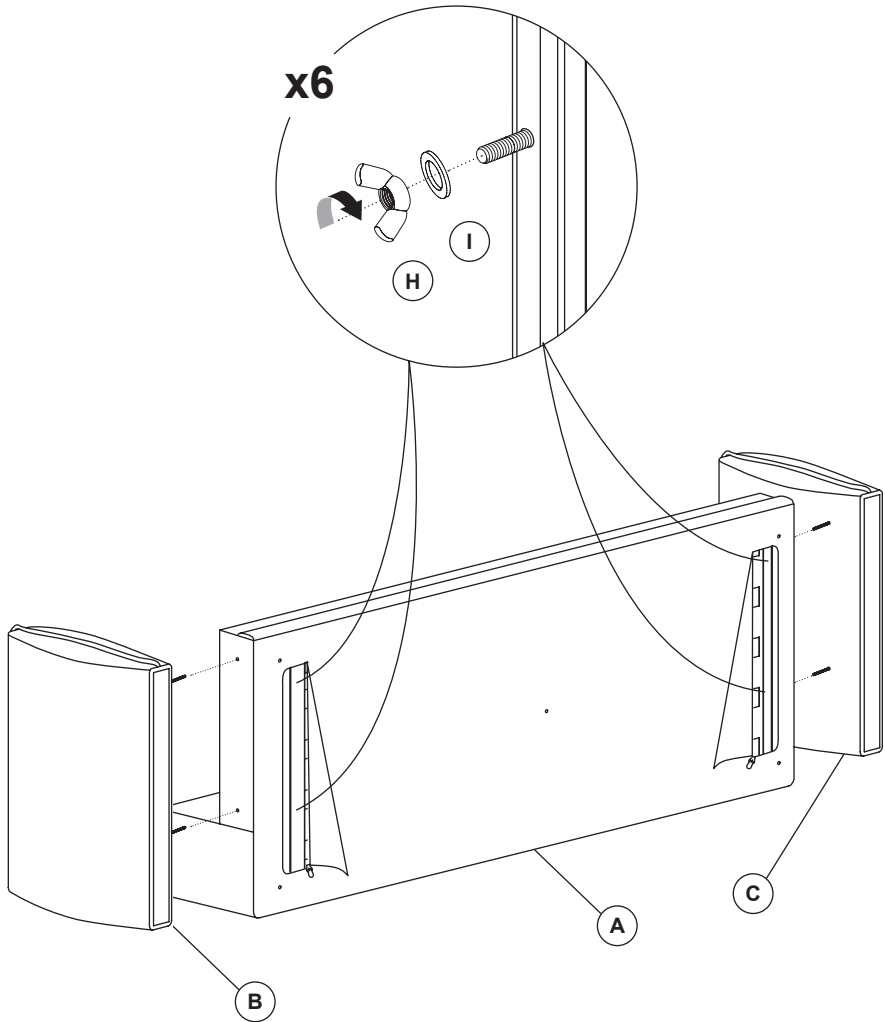
**L x4**



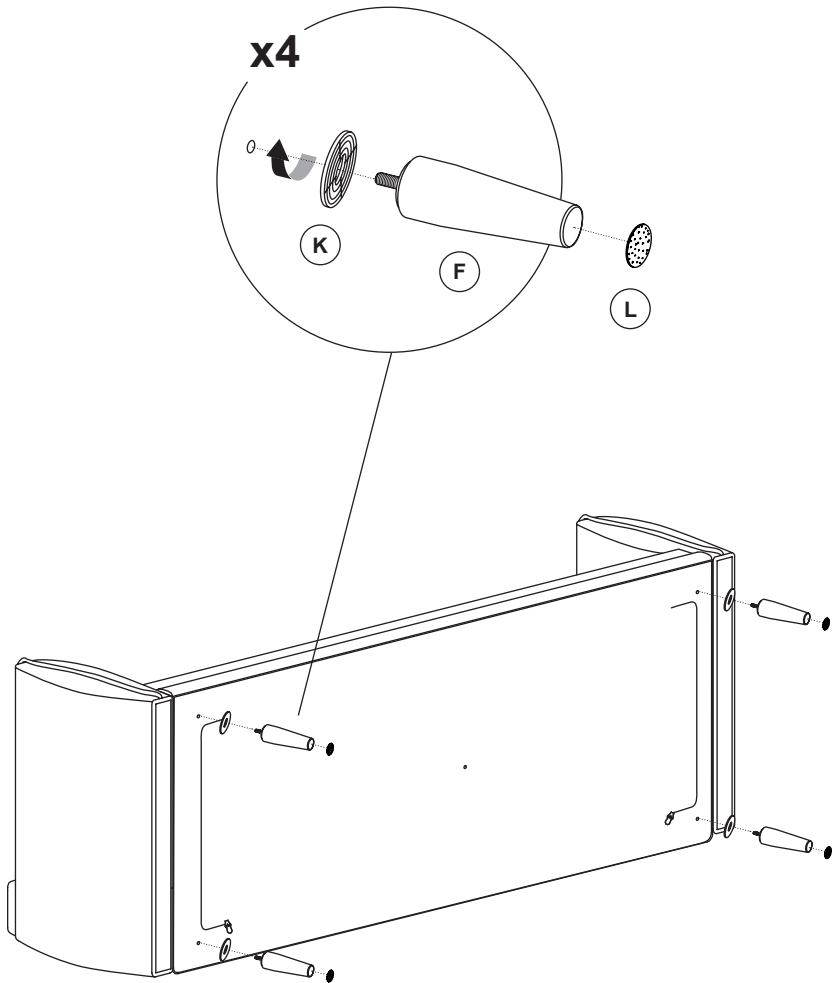
1



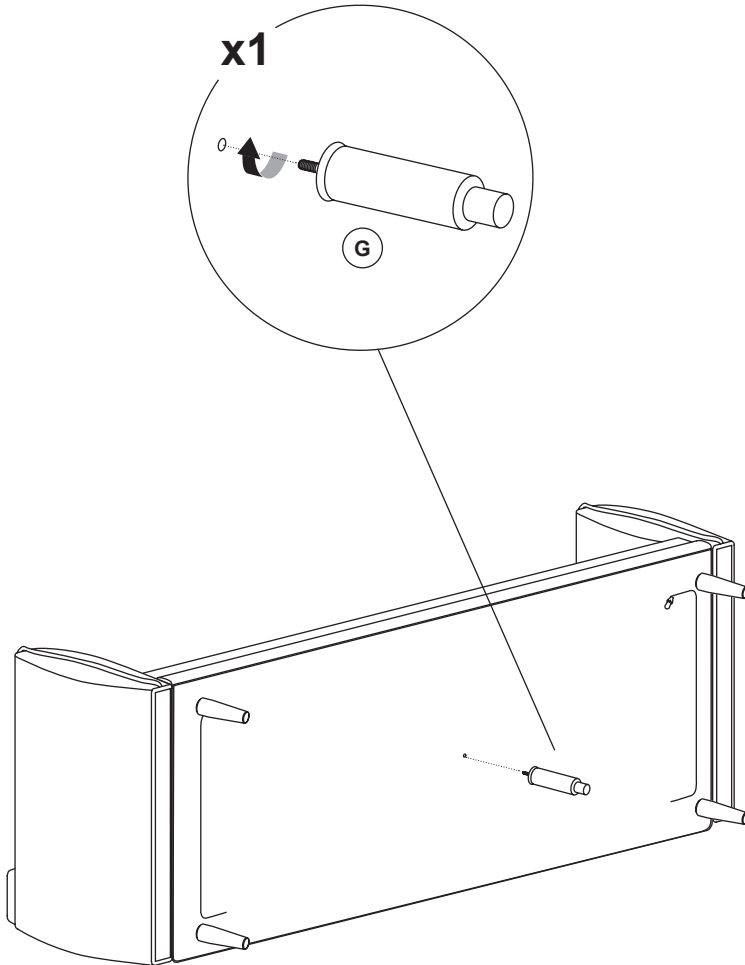
2



3

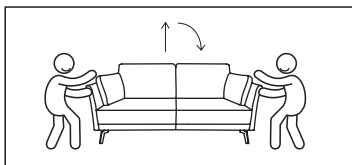
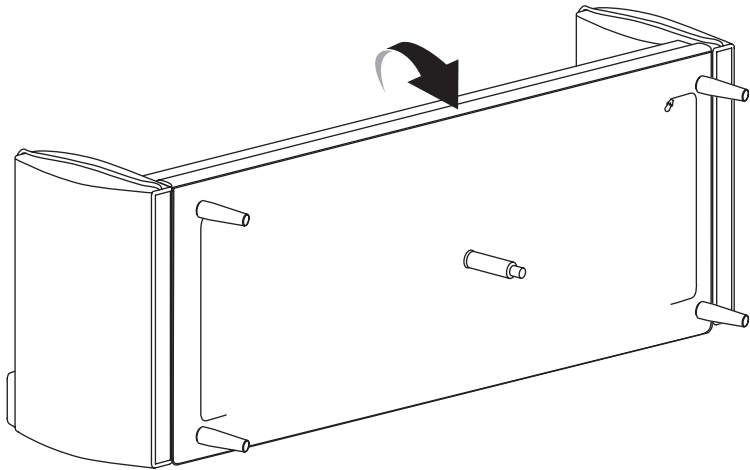


4

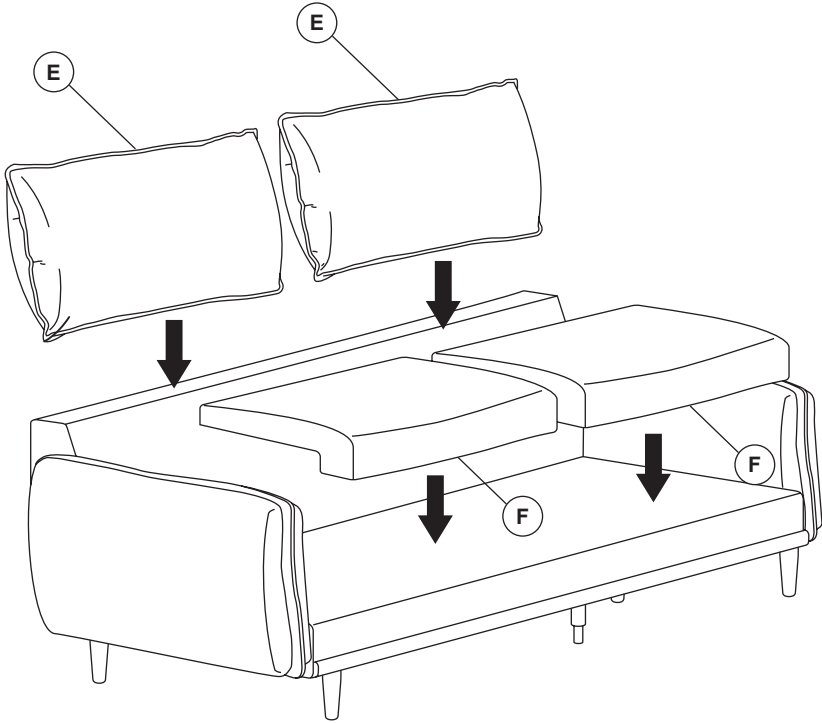


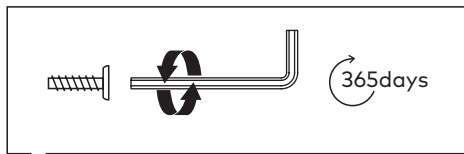
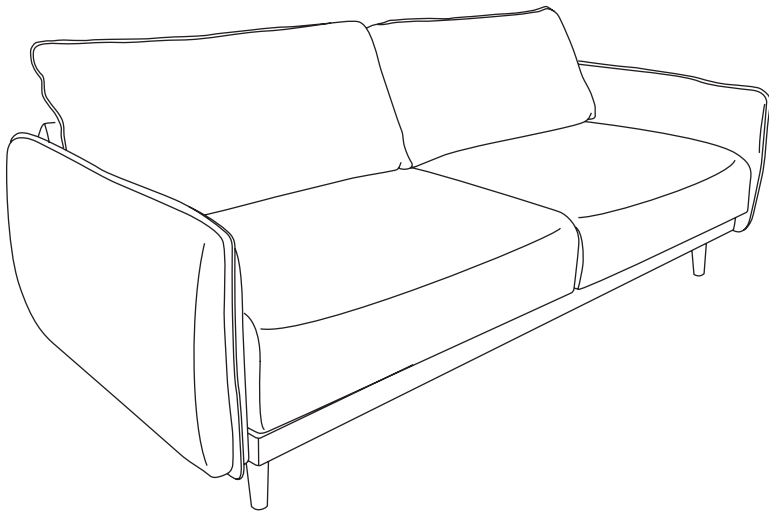


5



6







**THAT'S ALL FOLKS!**

Share your style!

#KaveHome

