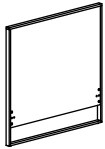
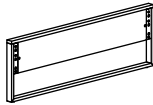

90 min	x1	x2	x1



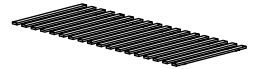
A x1



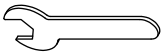
B x1



C x2



D x1



F x1
M13



G x8
Ø8x70



H x8
7x15x30

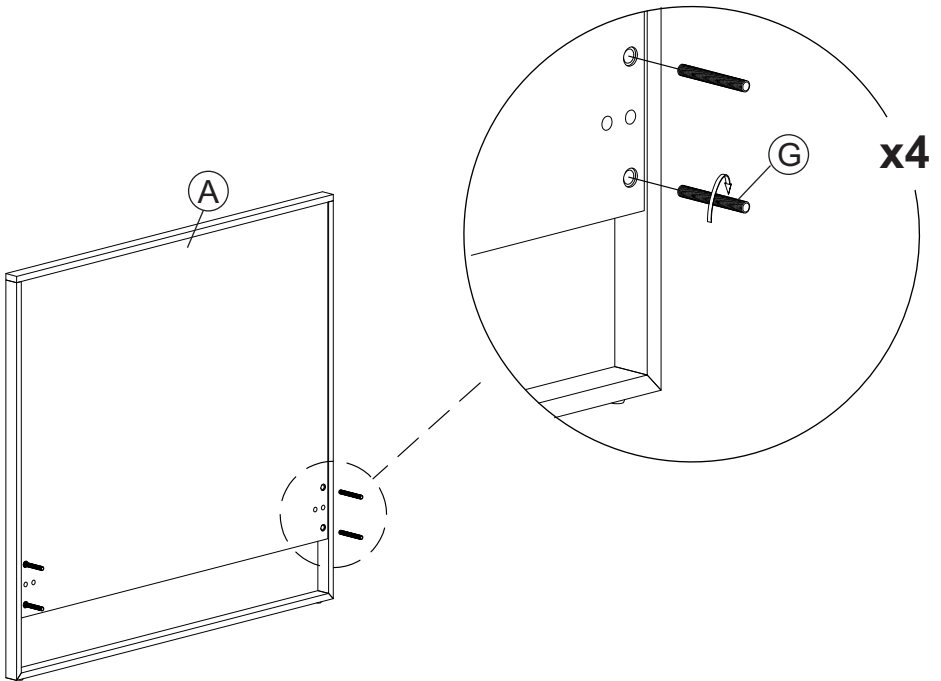


I x8
M8

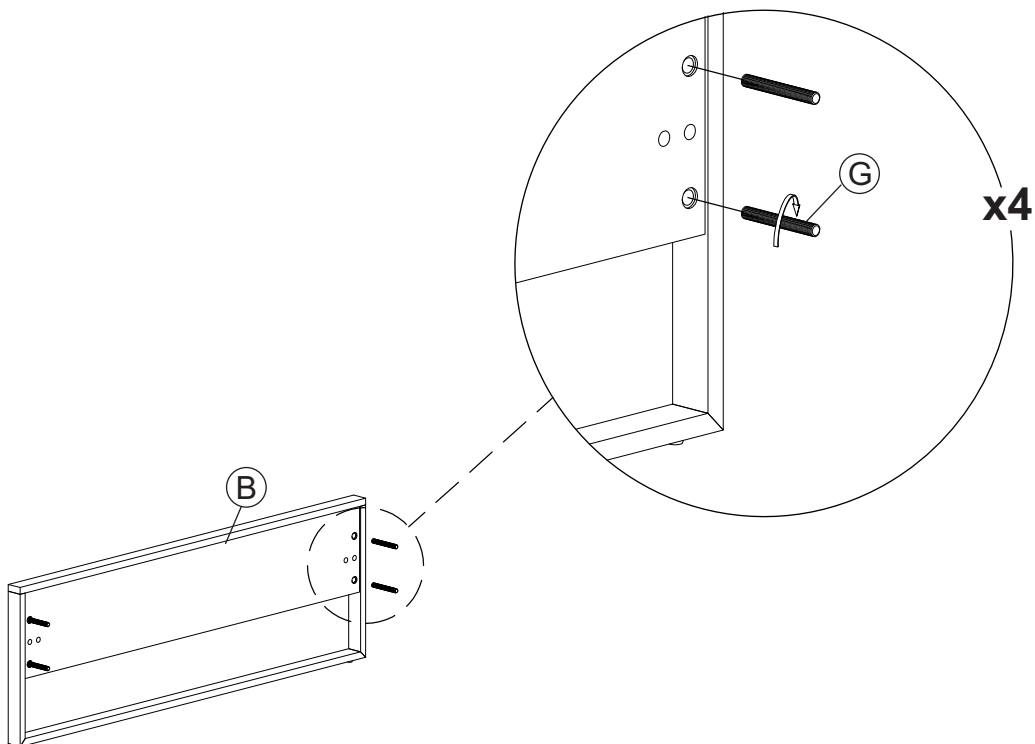


J x10
4X30

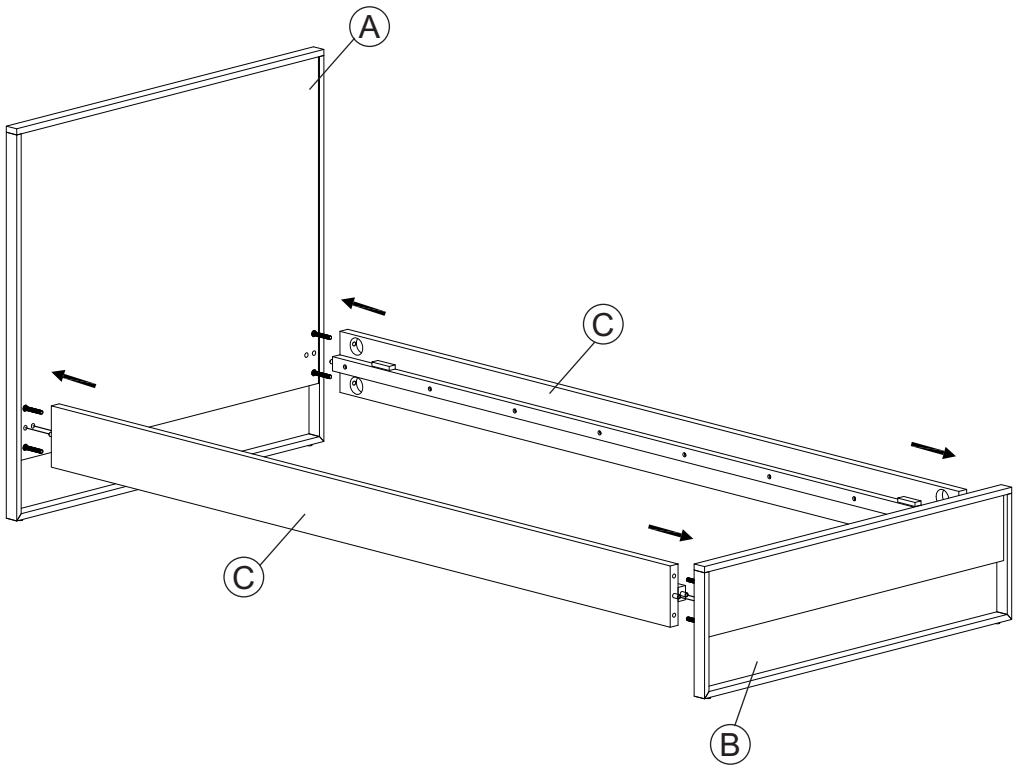
1



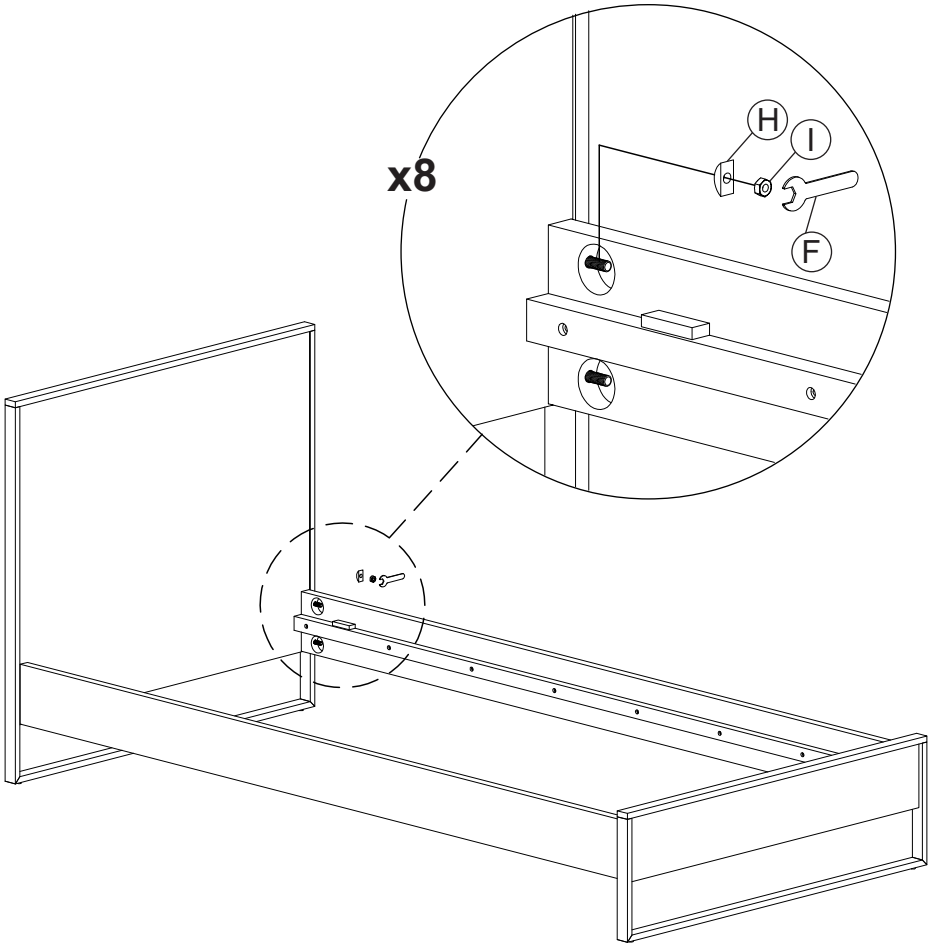
2



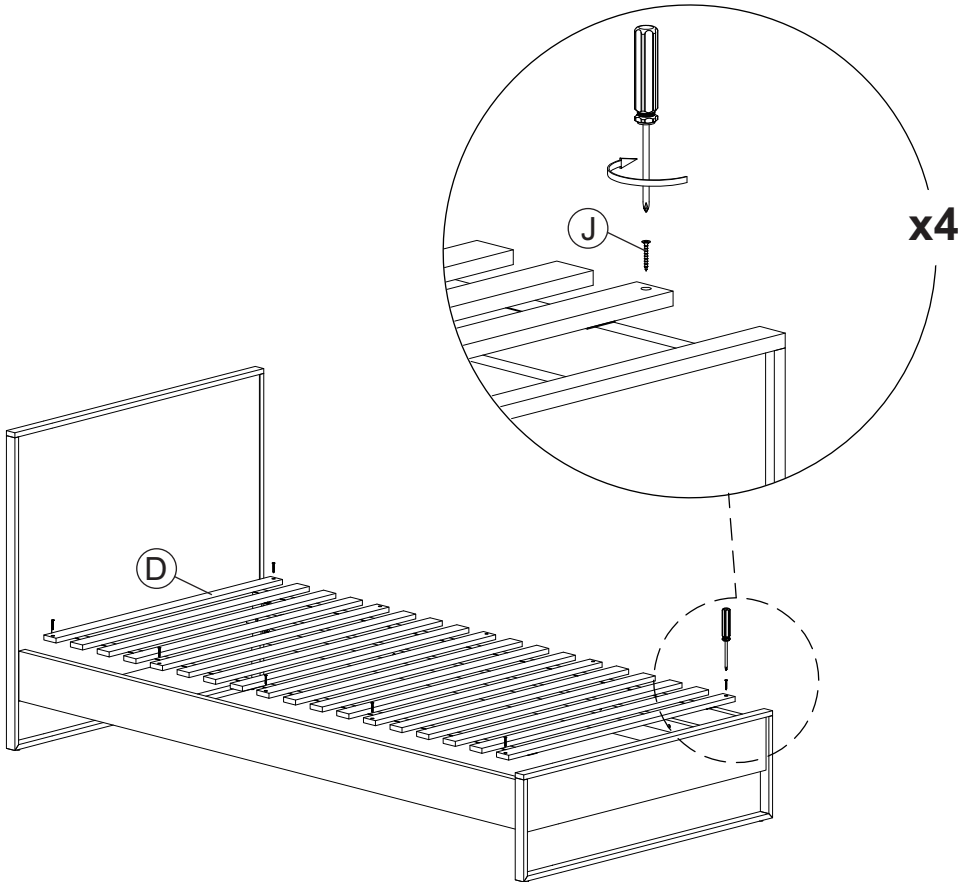
3



4



5



6

