
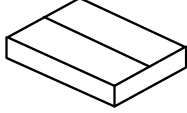
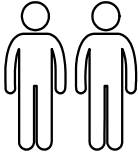


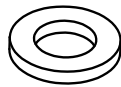


Kave® Cares

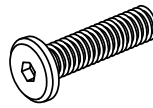
 25 min	 x2	 x2
---	---	---



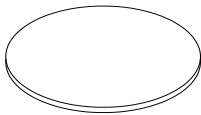
Ax1 (M4)



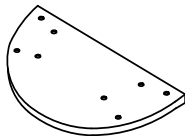
B x16 (M6xØ15 )



C x16 (M6x30)



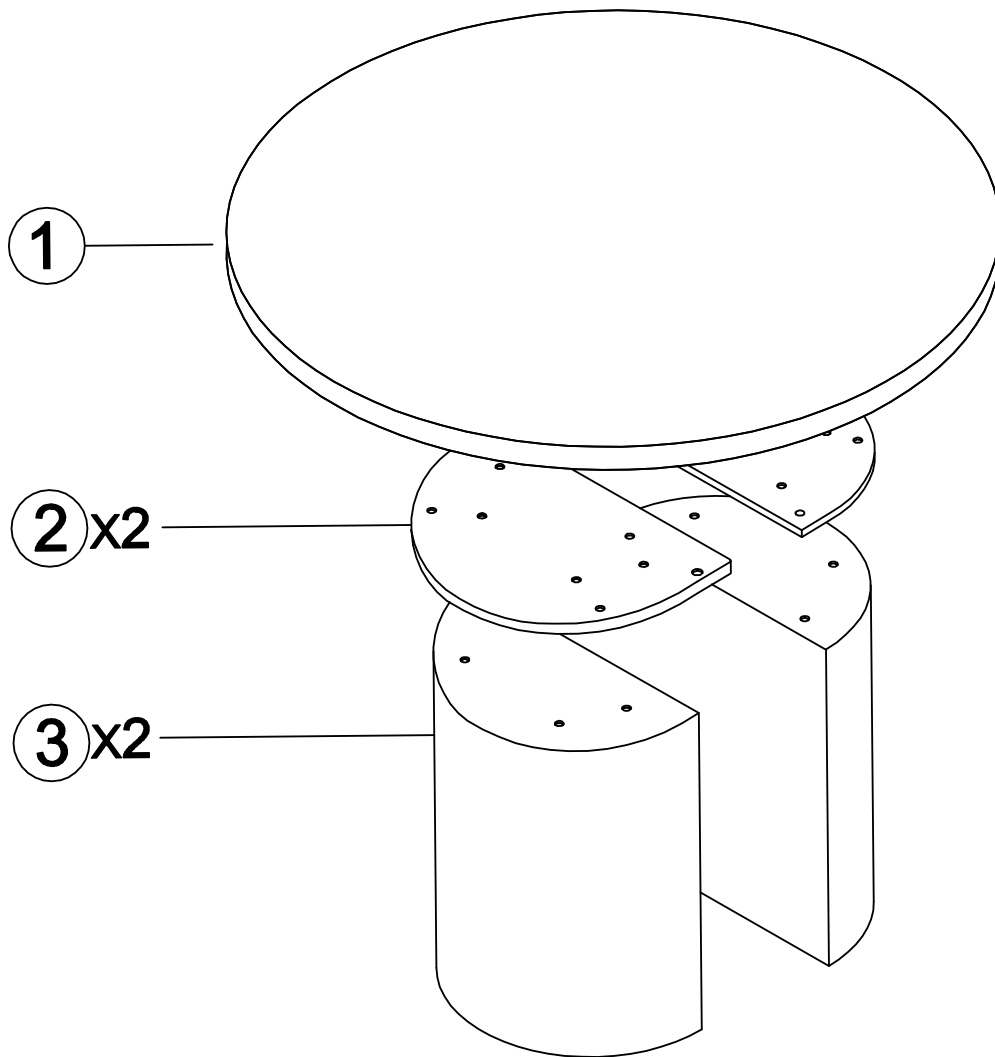
(1) x1

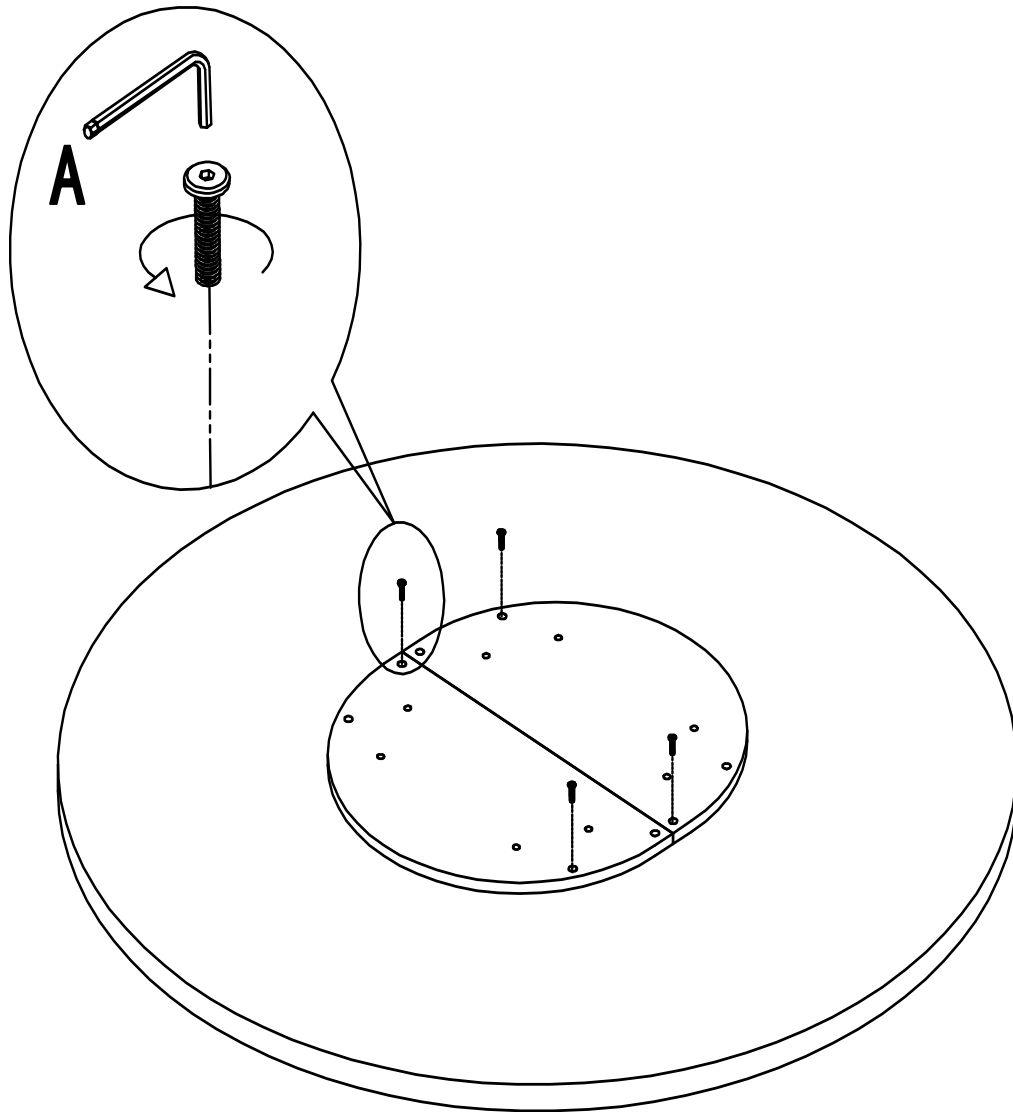


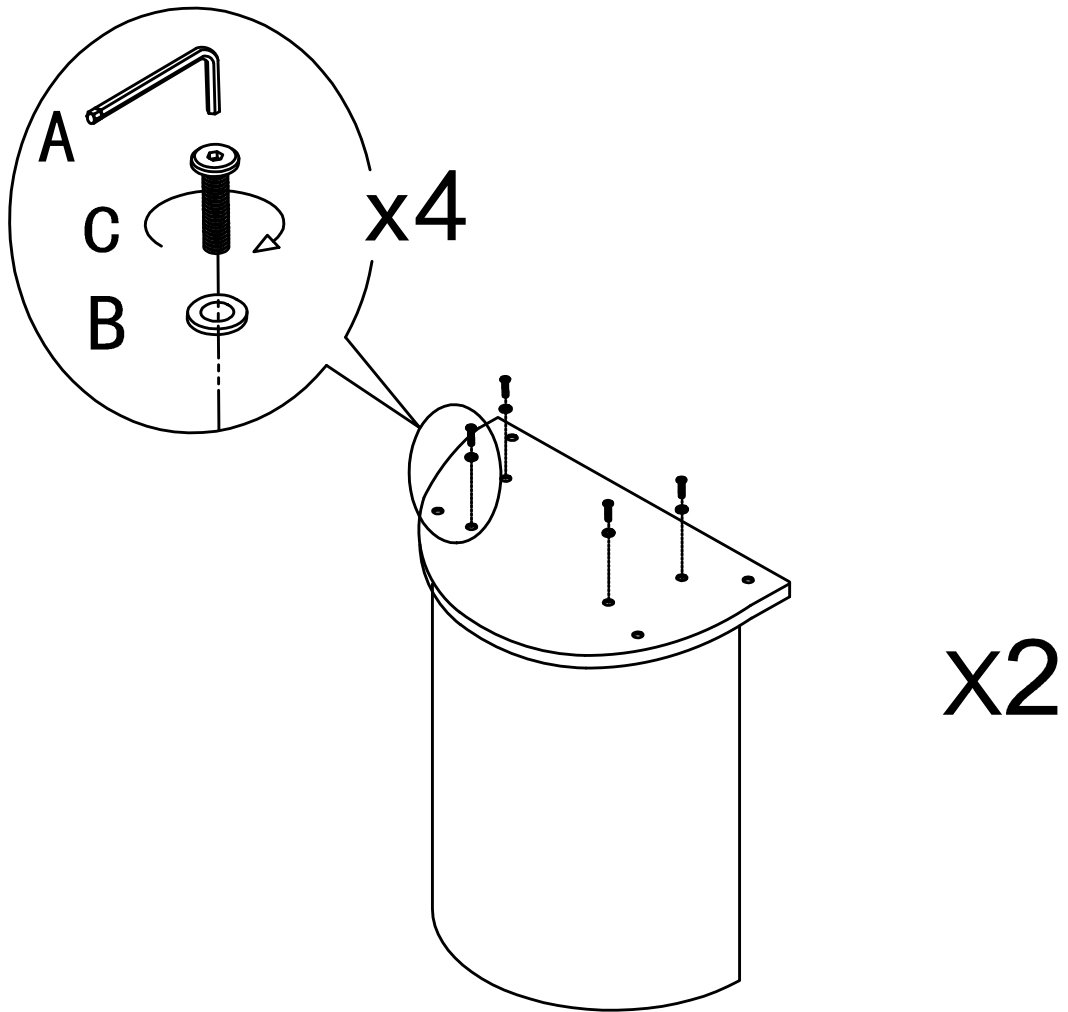
(2) x2

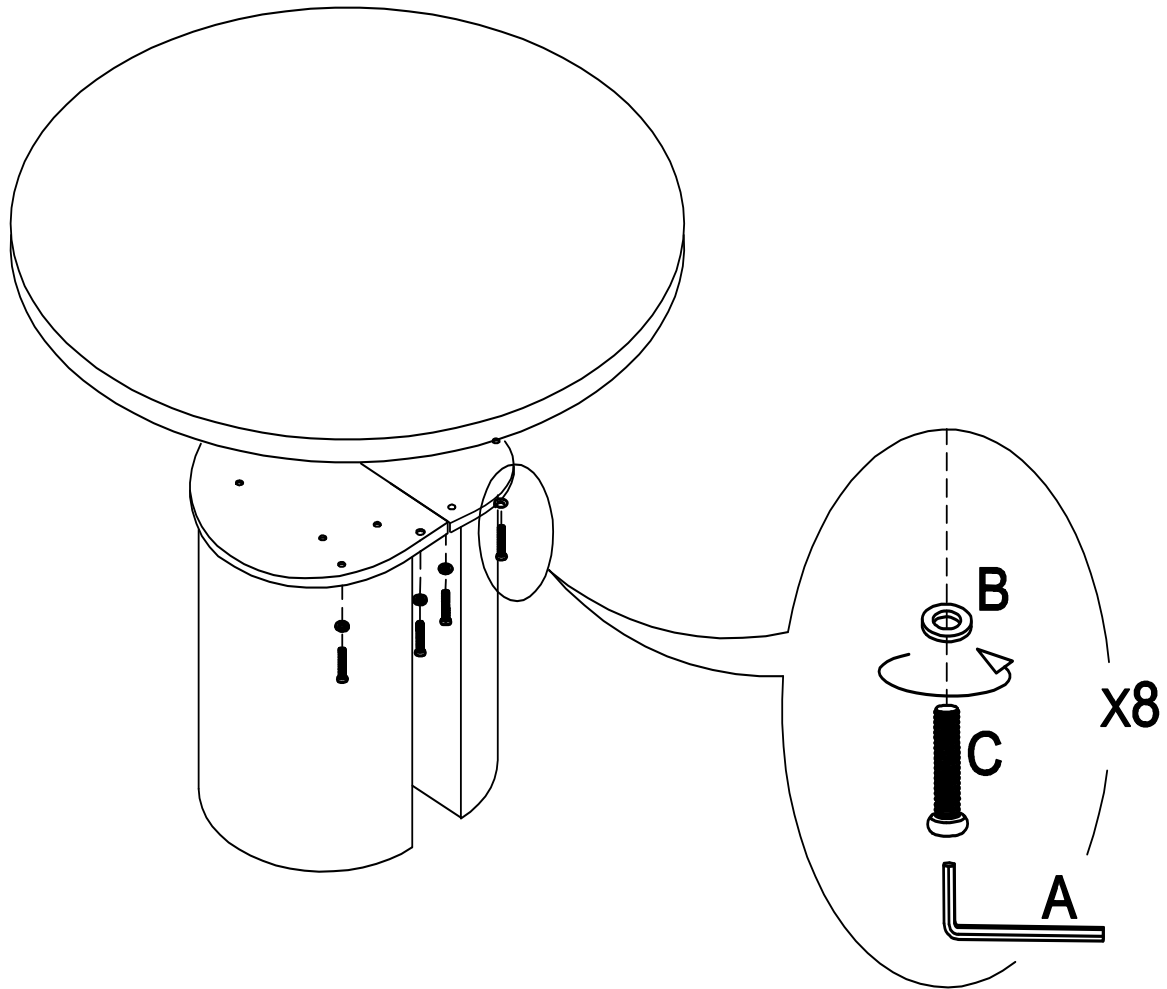


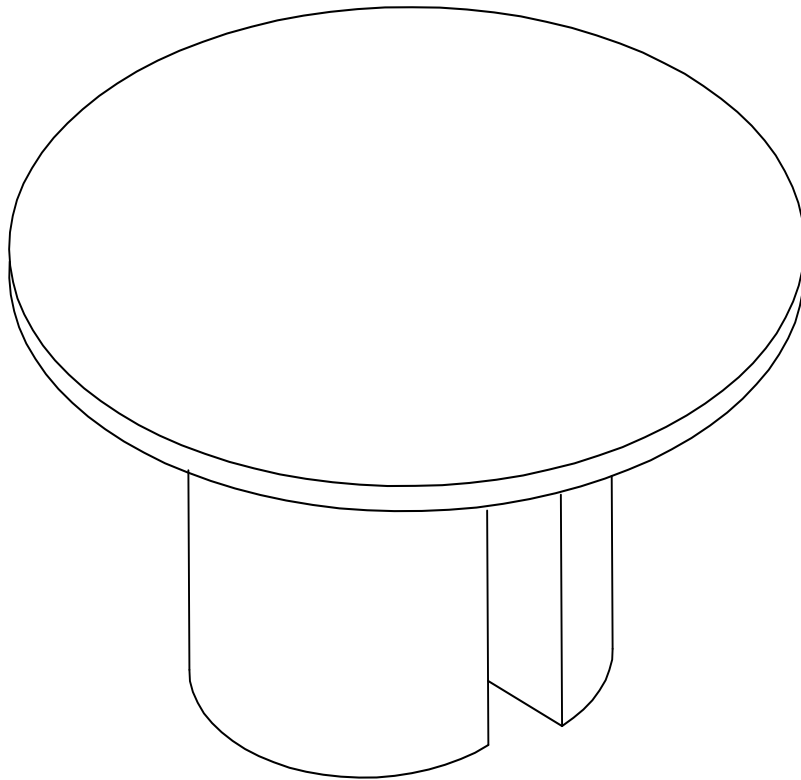
(3) x2



















# THAT'S ALL FOLKS

Share your style!

## #KaveHome

