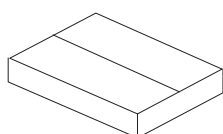




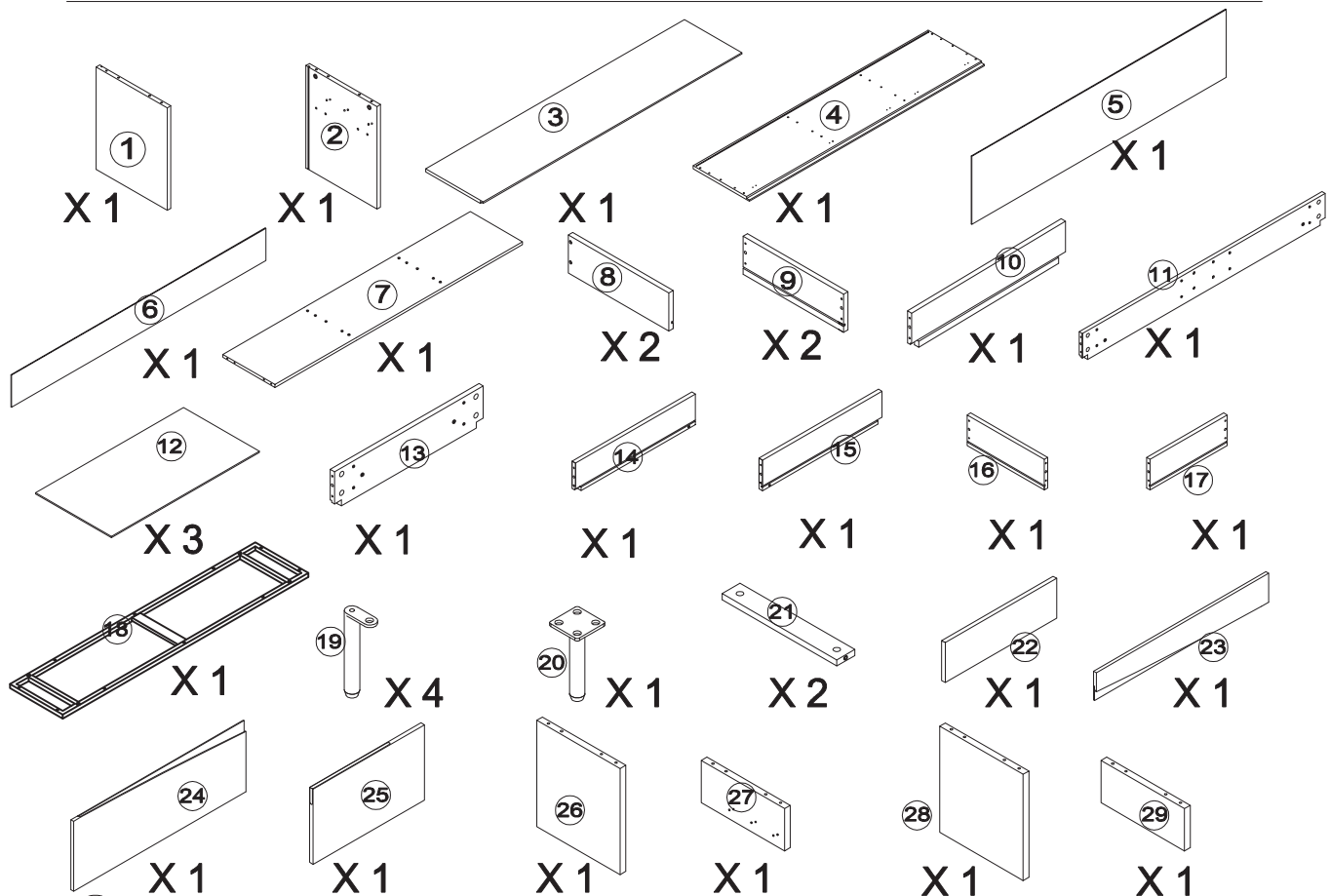
45 min

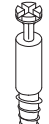




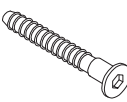

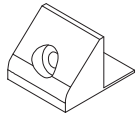

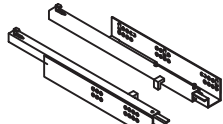




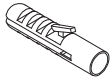
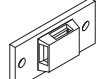



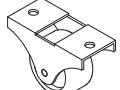

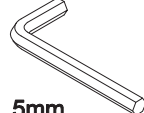
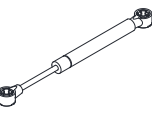







x3

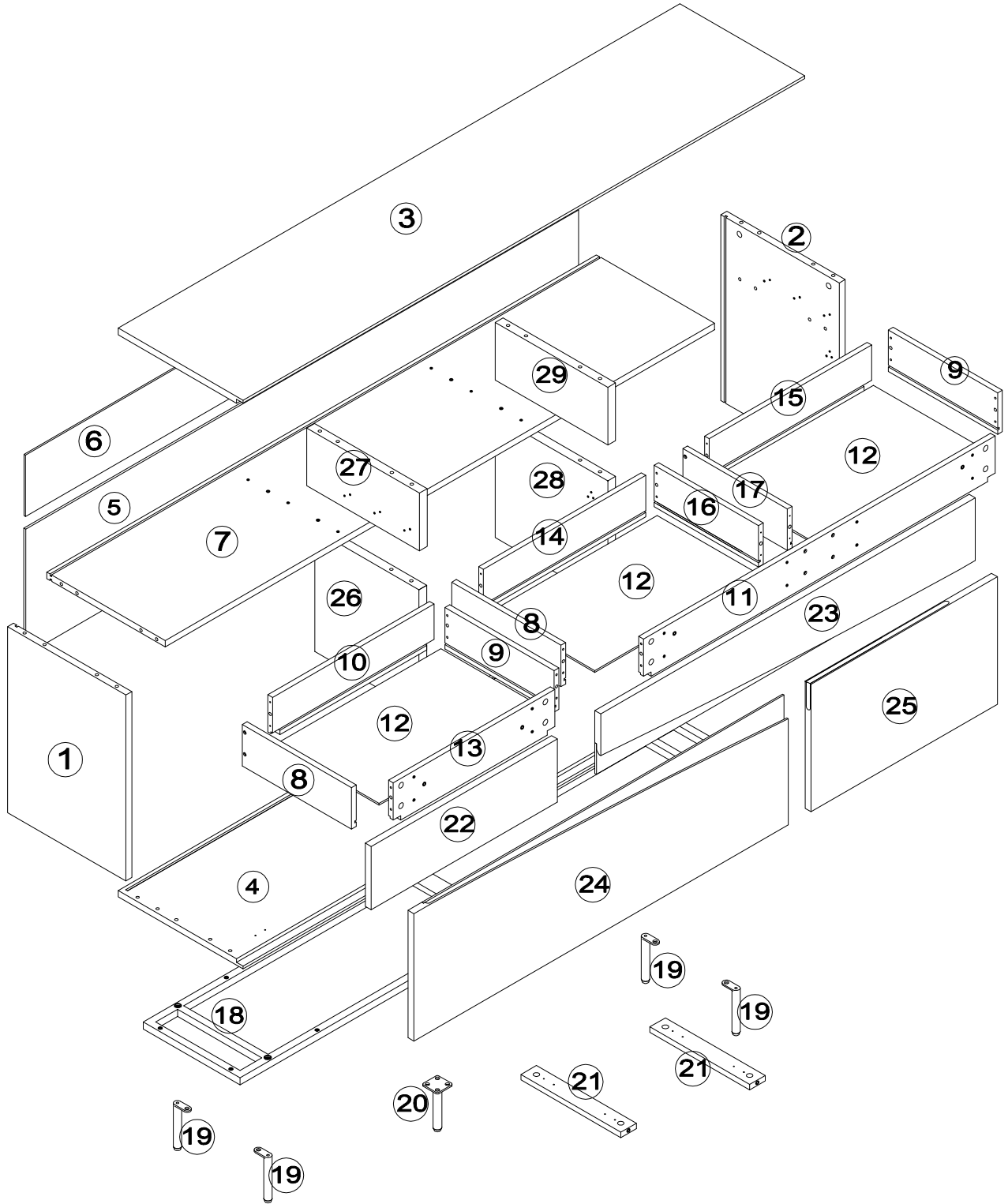


x2



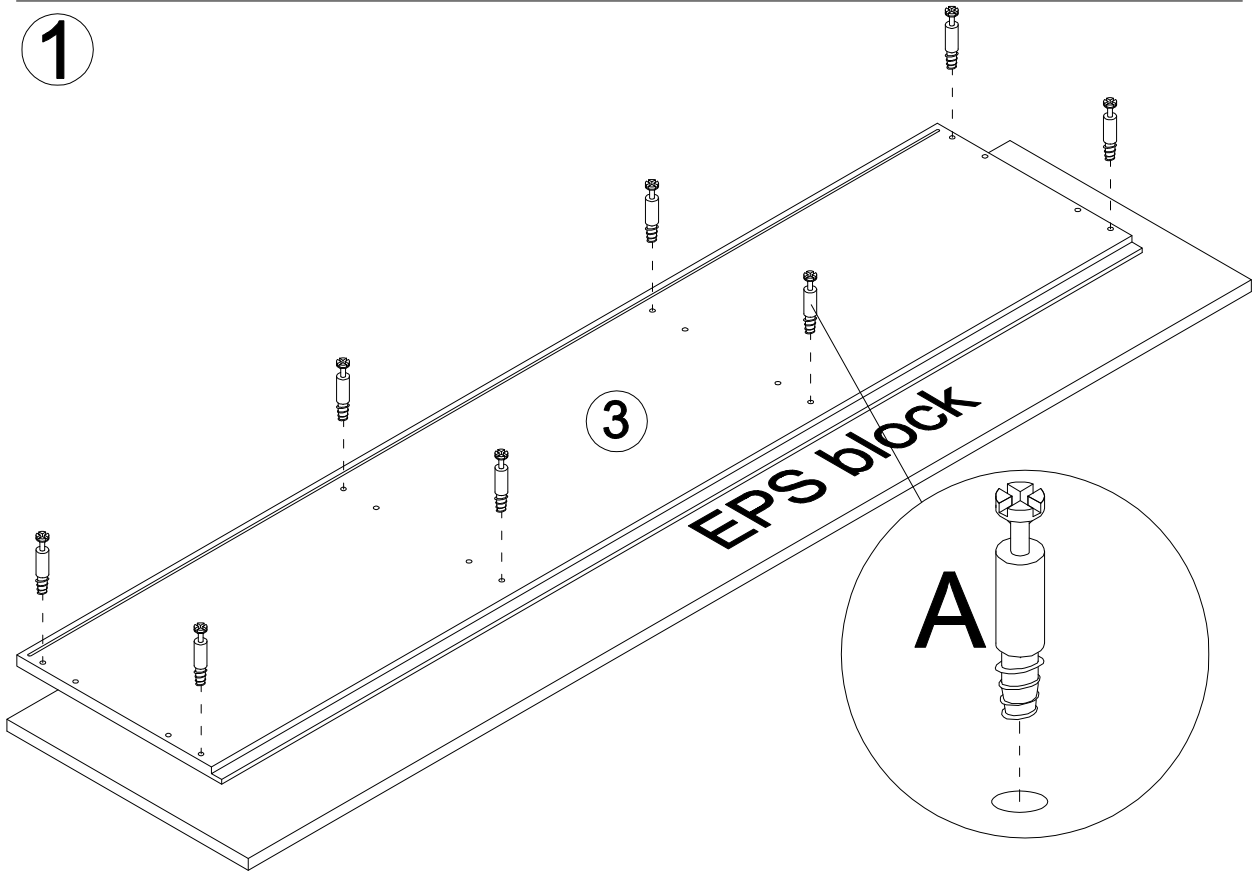
-  A = 32PCS
-  B = 32PCS
-  C = 40PCS $\phi 8 \times 30\text{mm}$
-  D = 4PCS $\phi 8 \times 25\text{mm}$
-  E = 18PCS M6 x 12mm
-  F = 17PCS
-  G = 1PC 4mm
-  H = 28PCS
-  I = 28PCS $\phi 3 \times 15\text{mm}$
-  J = 2SET
-  K = 68PCS $\phi 4 \times 14\text{mm}$
-  L = 26PCS $\text{Ø}21\text{mm}$
-  M = 12PCS $\phi 4 \times 30\text{mm}$
-  N = 12PCS $\phi 4 \times 25\text{mm}$
-  O = 4PCS
-  P = 4PCS
-  Q = 2PCS
-  R = 4PCS $\phi 3.5 \times 40\text{mm}$
-  S = 4PCS $\phi 3.5 \times 19\text{mm}$
-  T = 4PCS
-  U = 4PCS M8 x 30mm
-  V = 1PC 5mm
-  W = 4PCS
-  X = 4PCS
-  Y = 4PCS
-  Z = 20PCS
-  A1 = 6PCS
-  A2 = 8PCS

CC1901M01

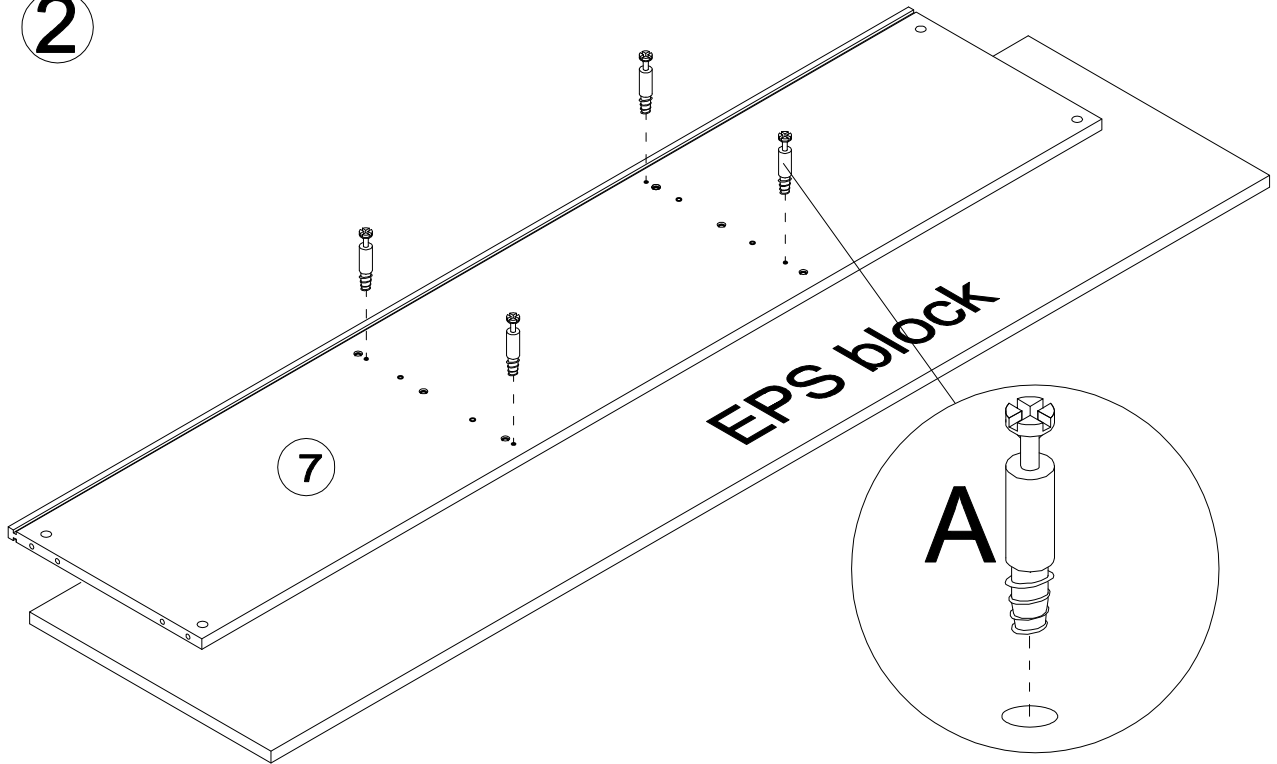




1

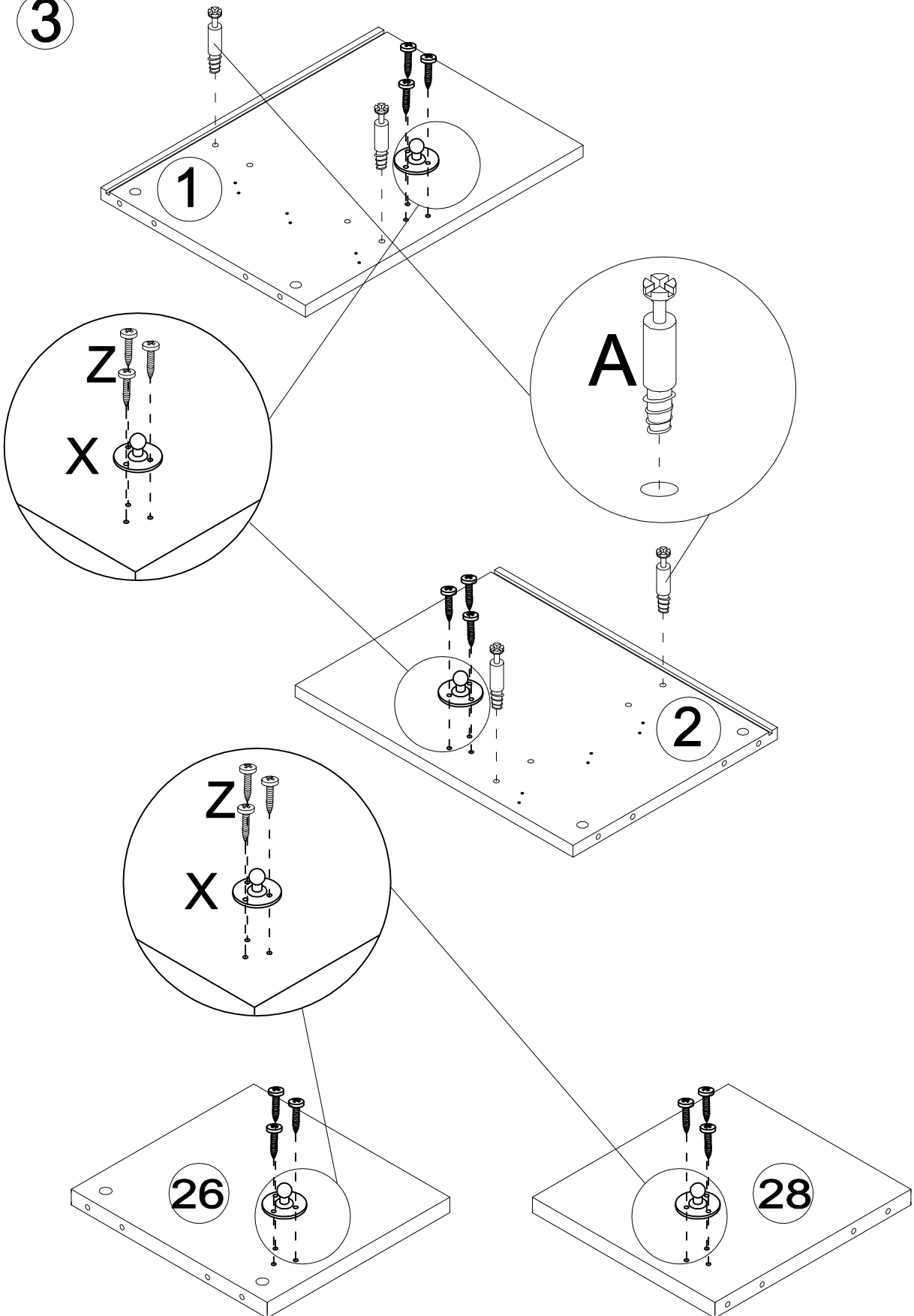


2



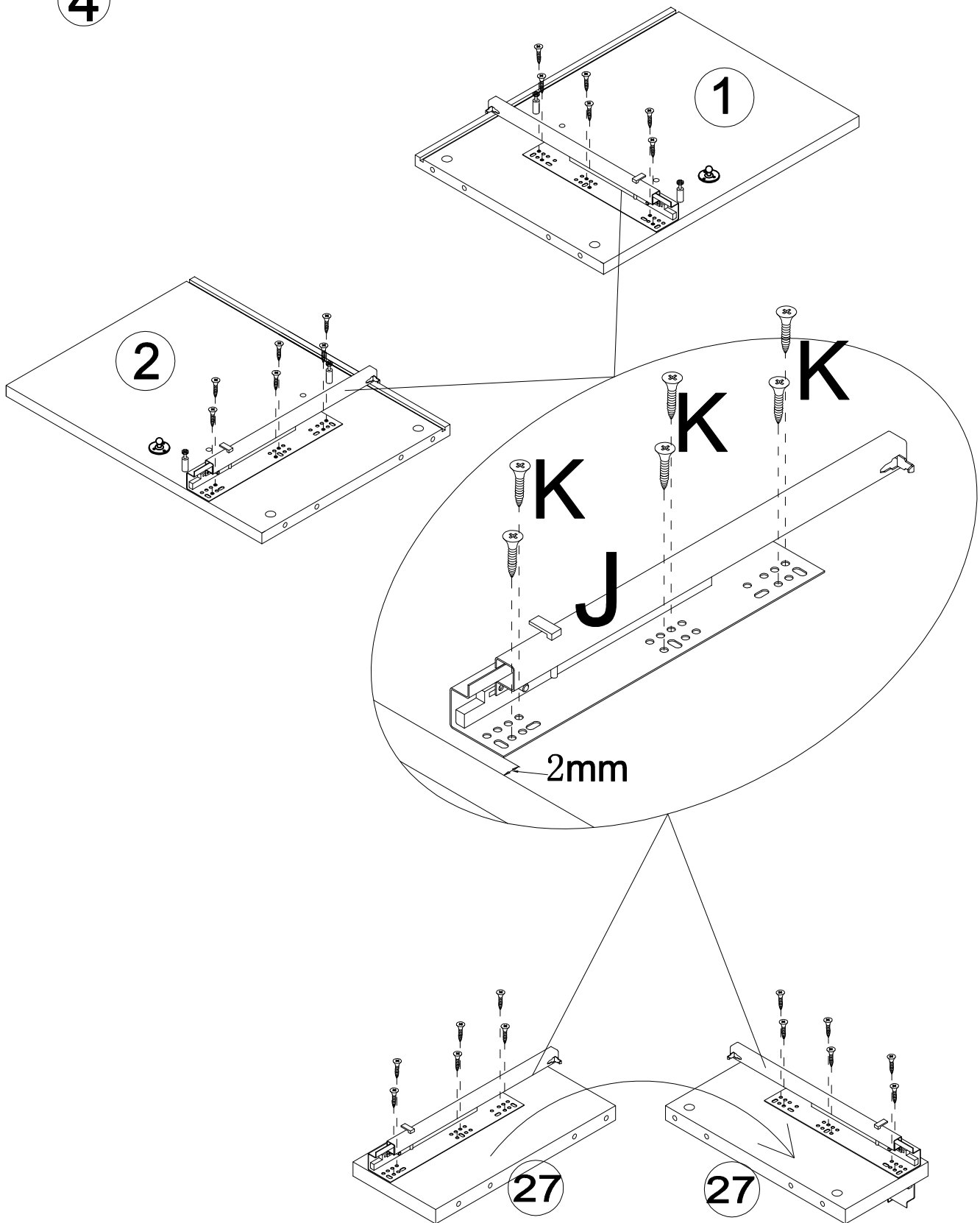


3



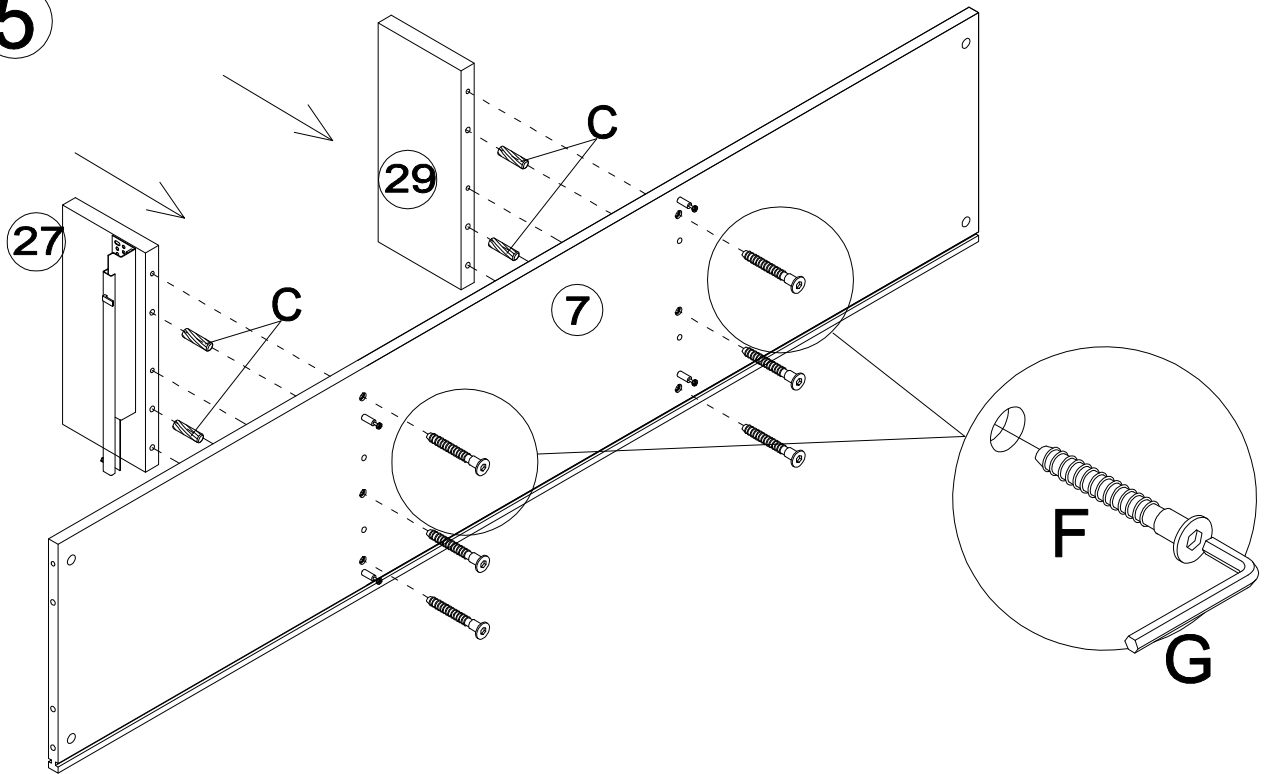


4

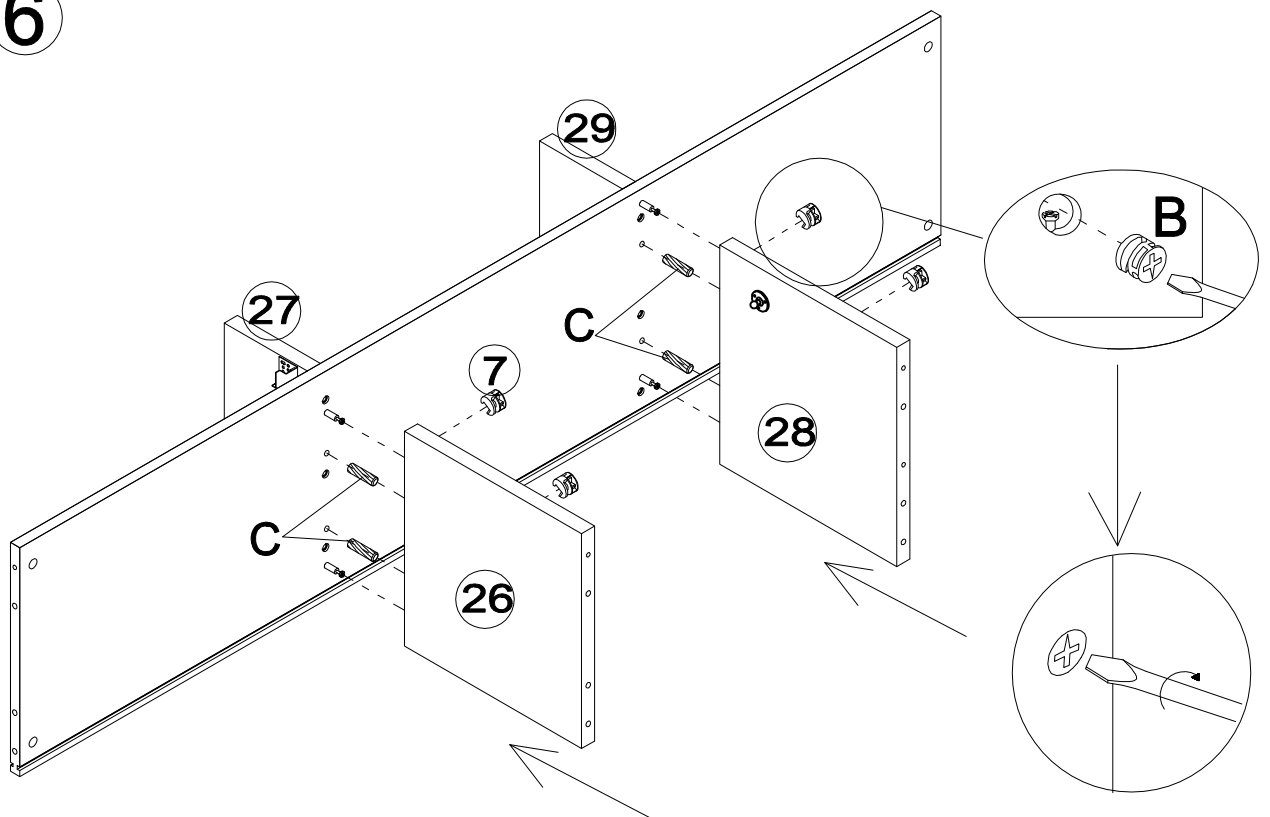




5

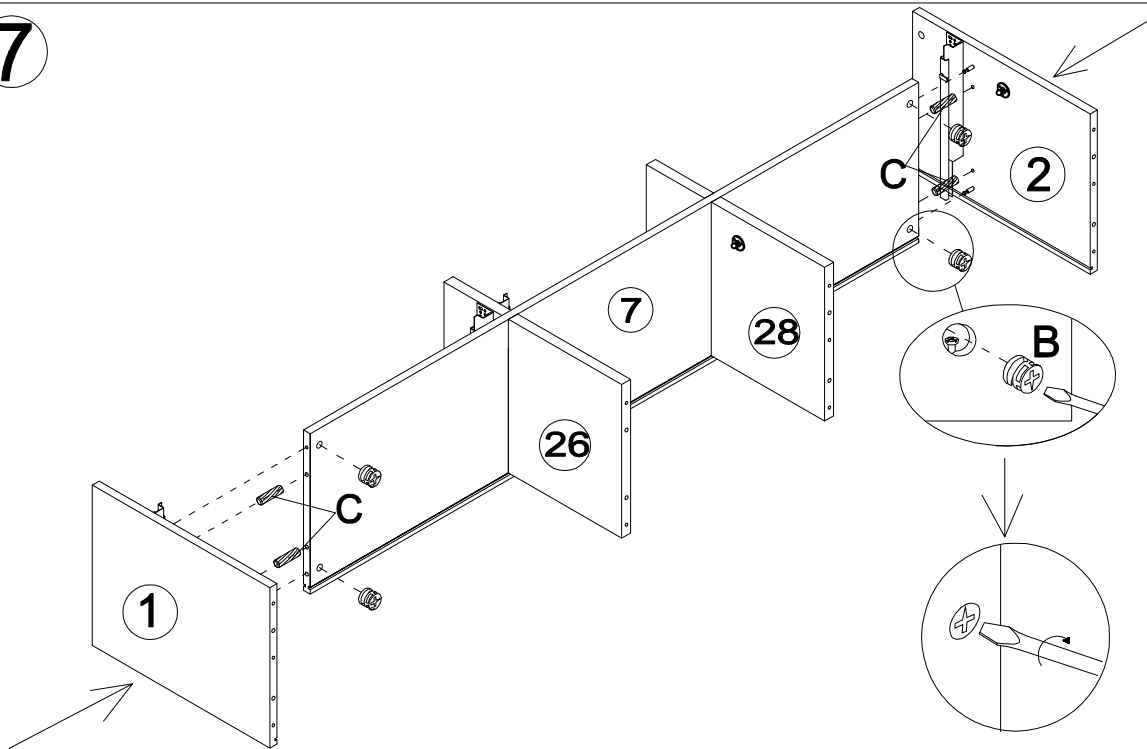


6

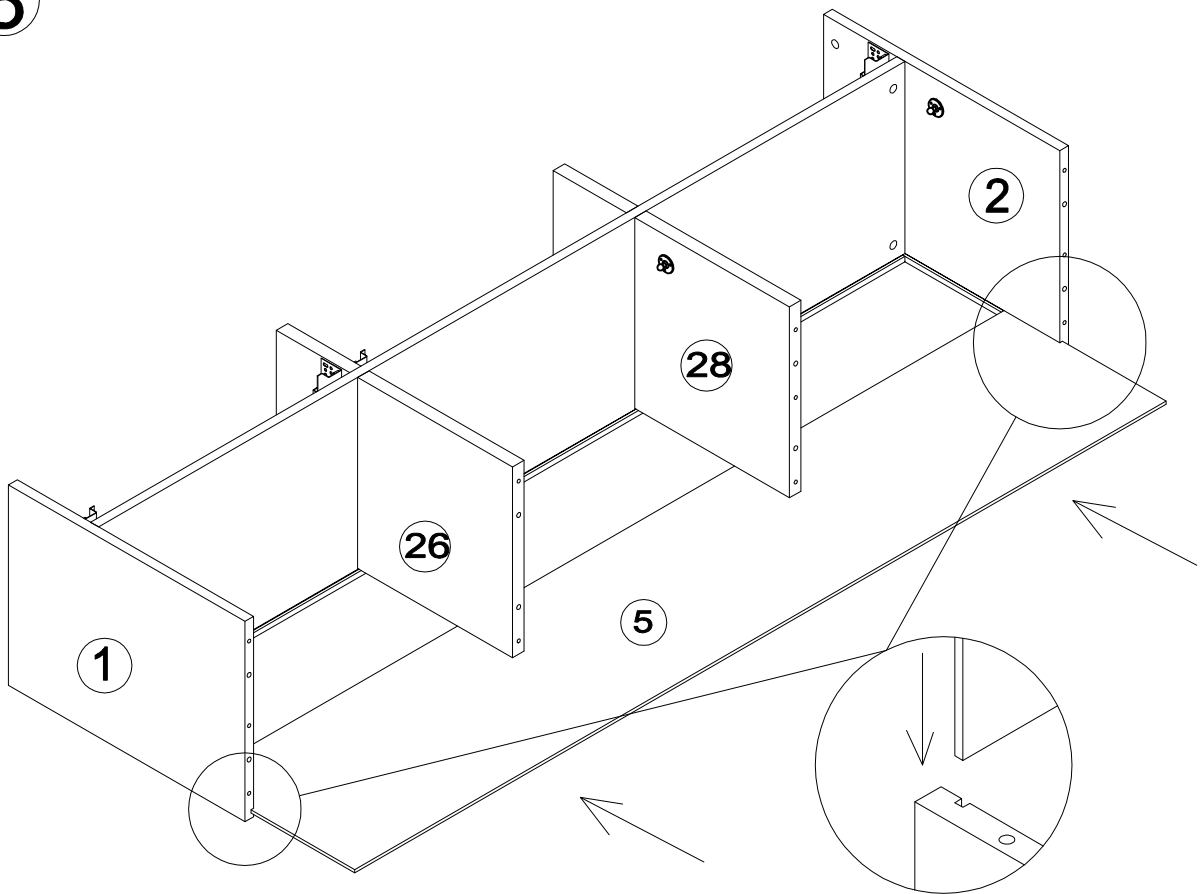




7

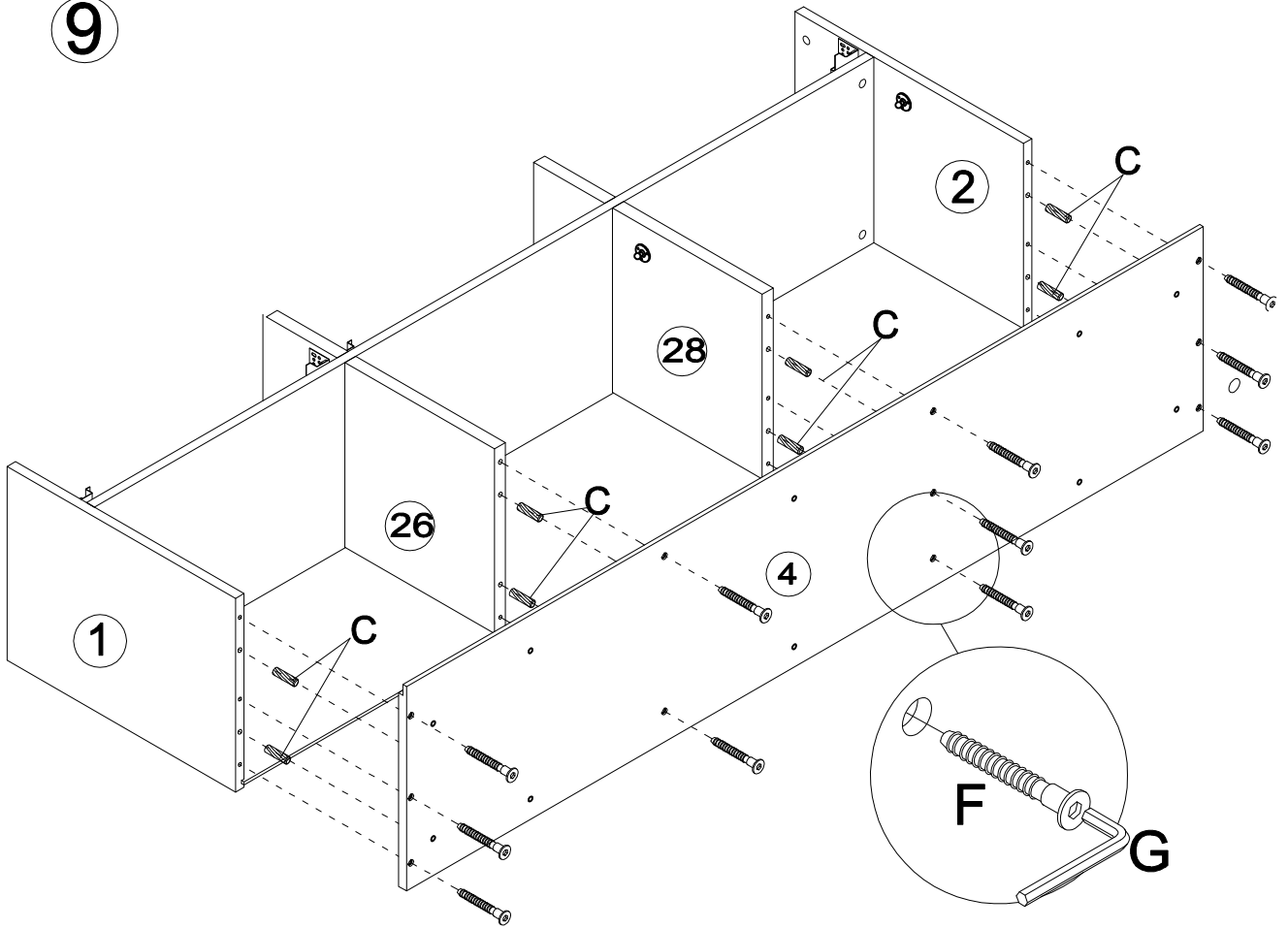


8

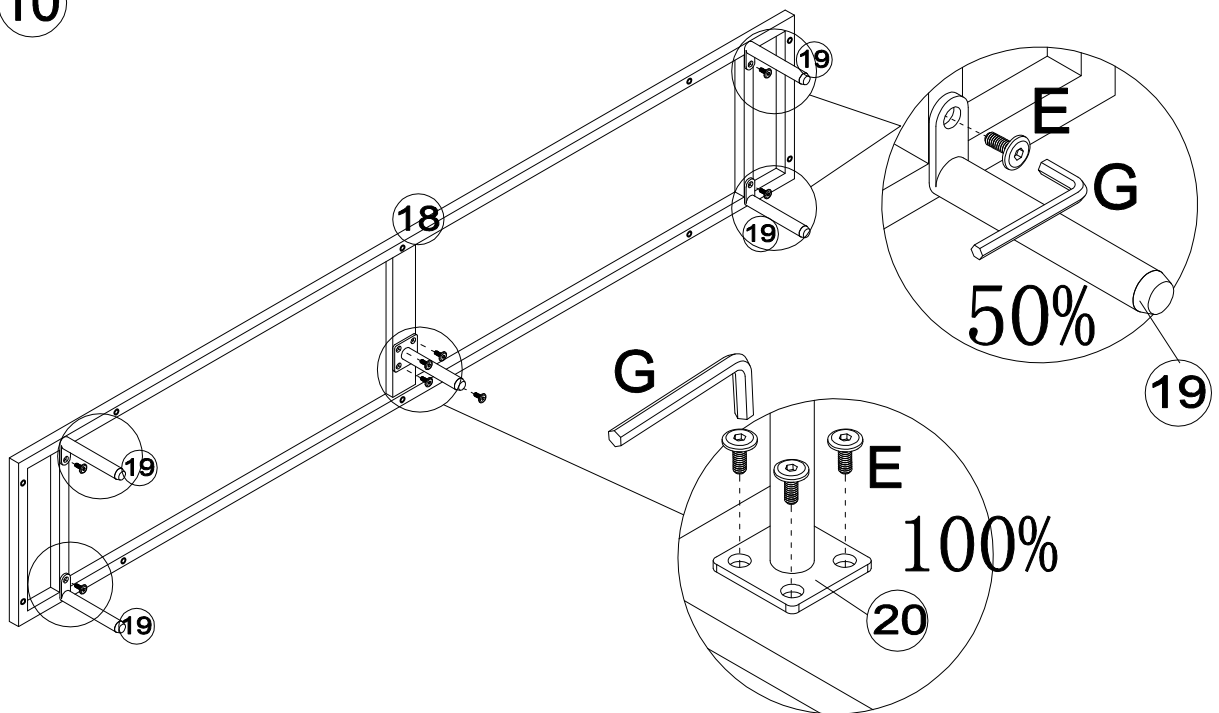


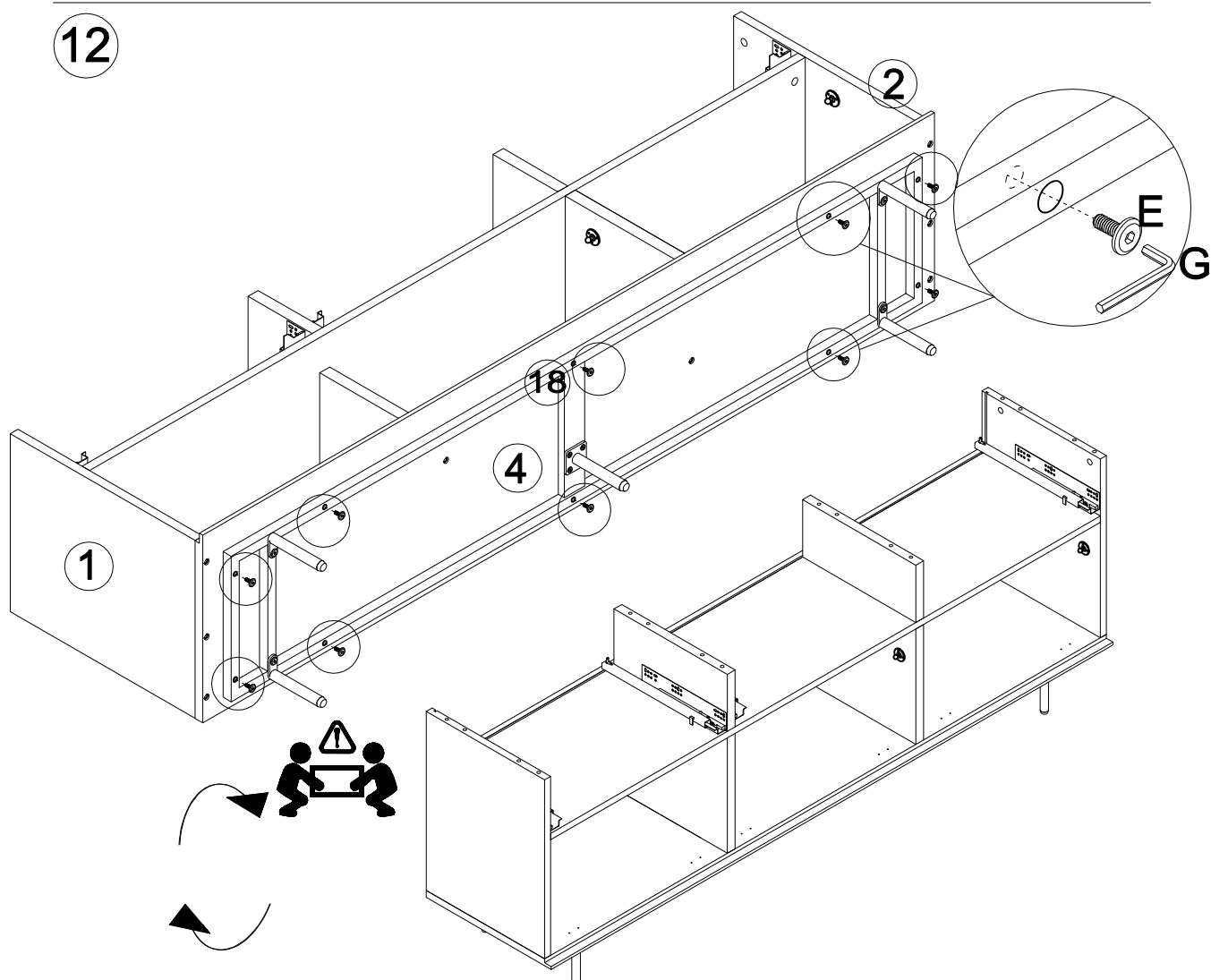
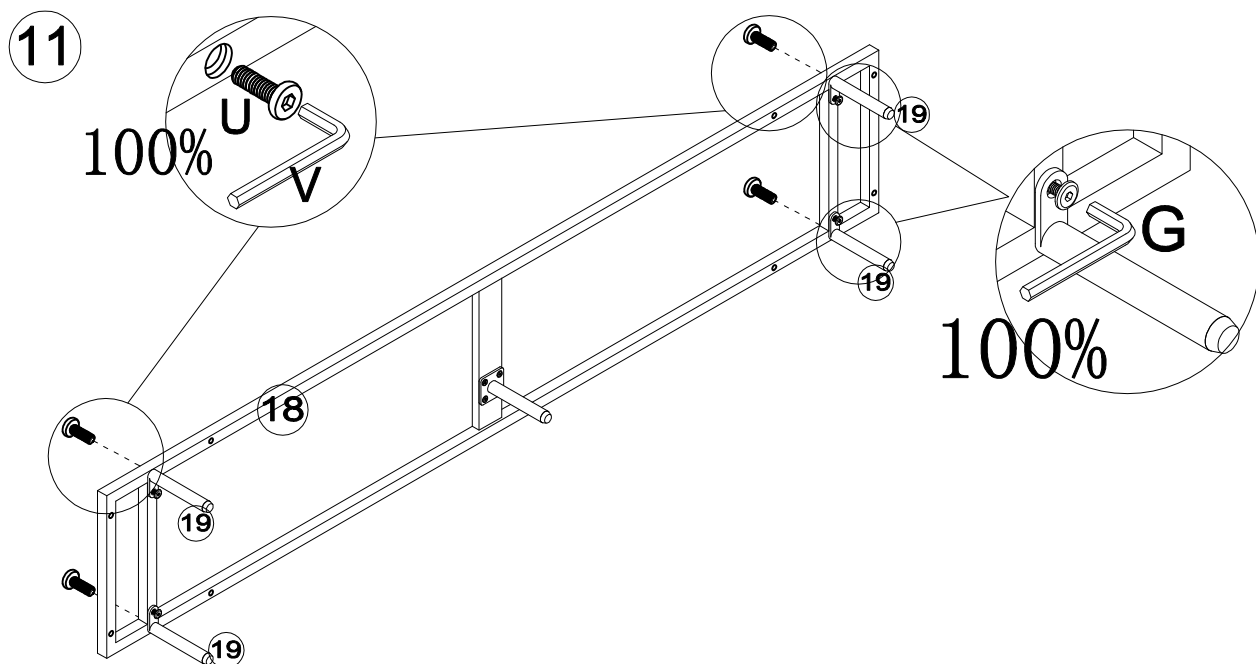


9



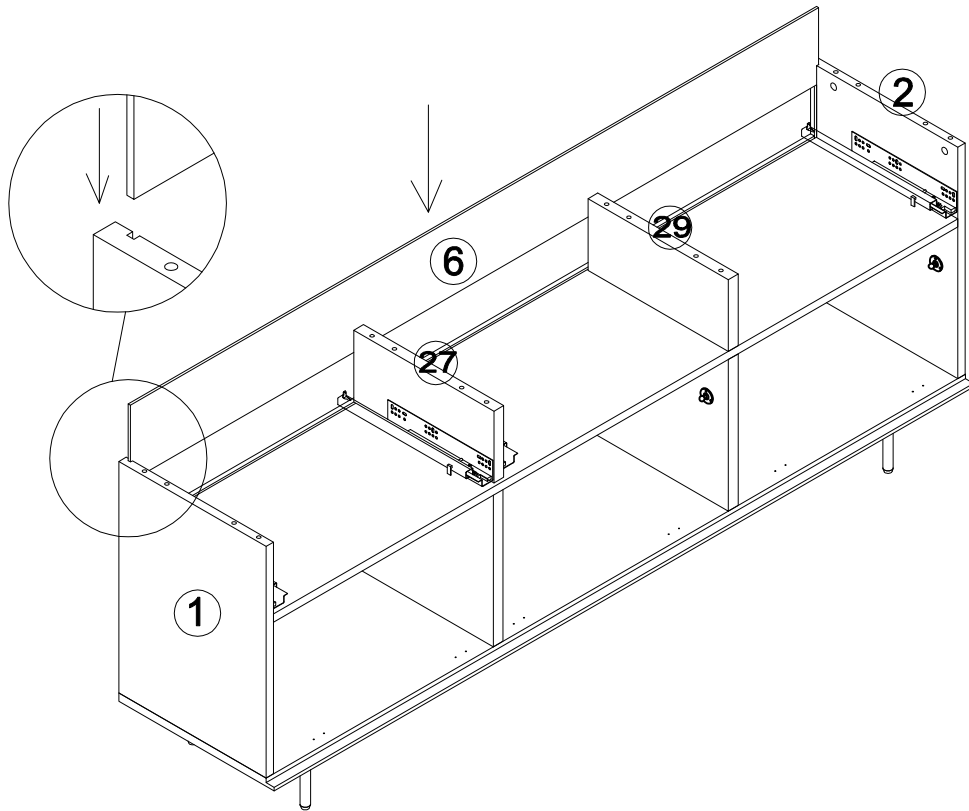
10



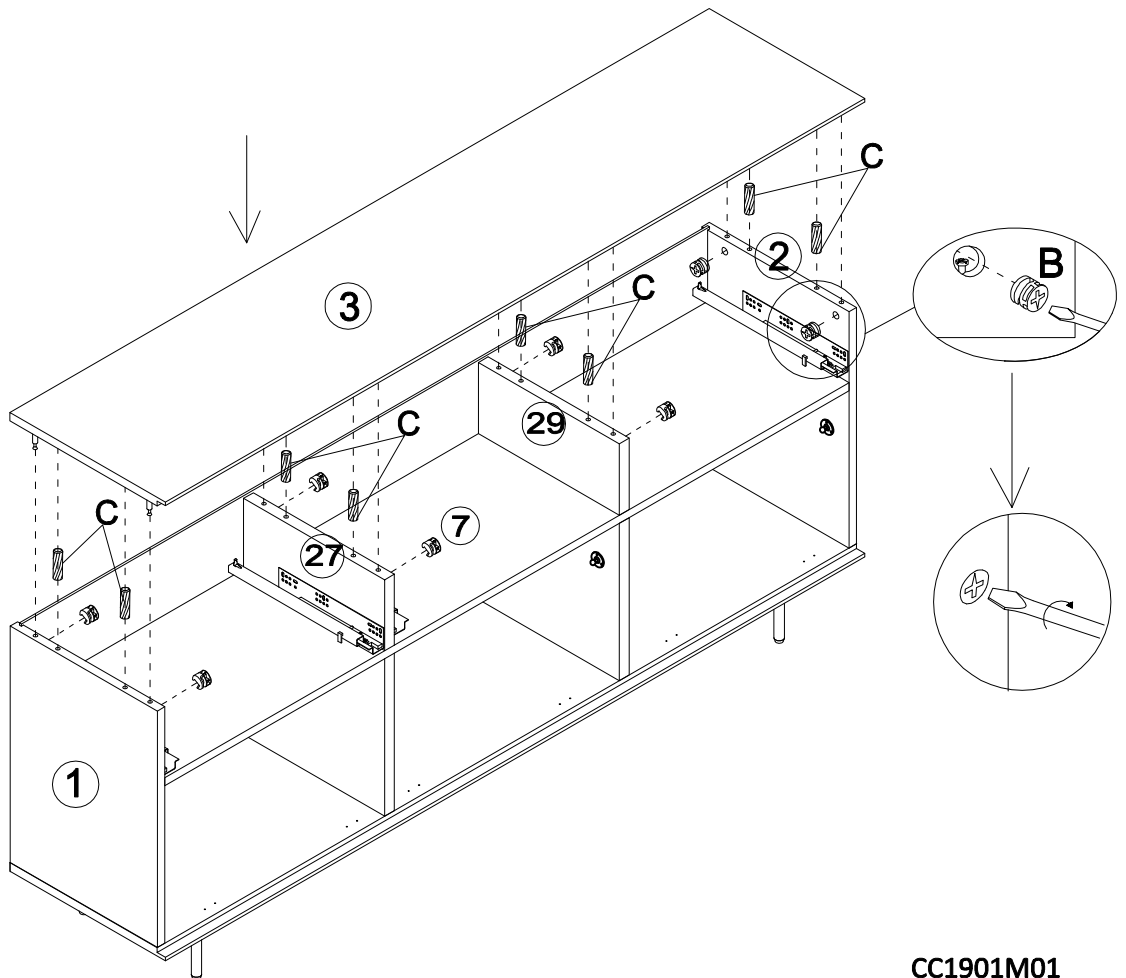




13

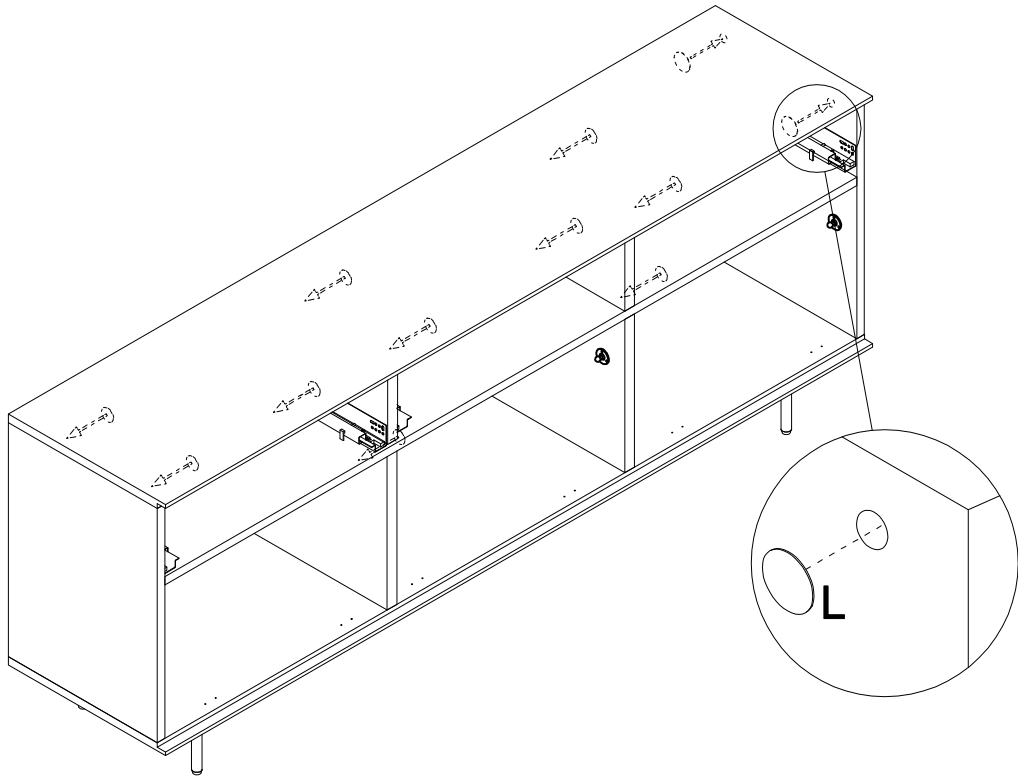


14

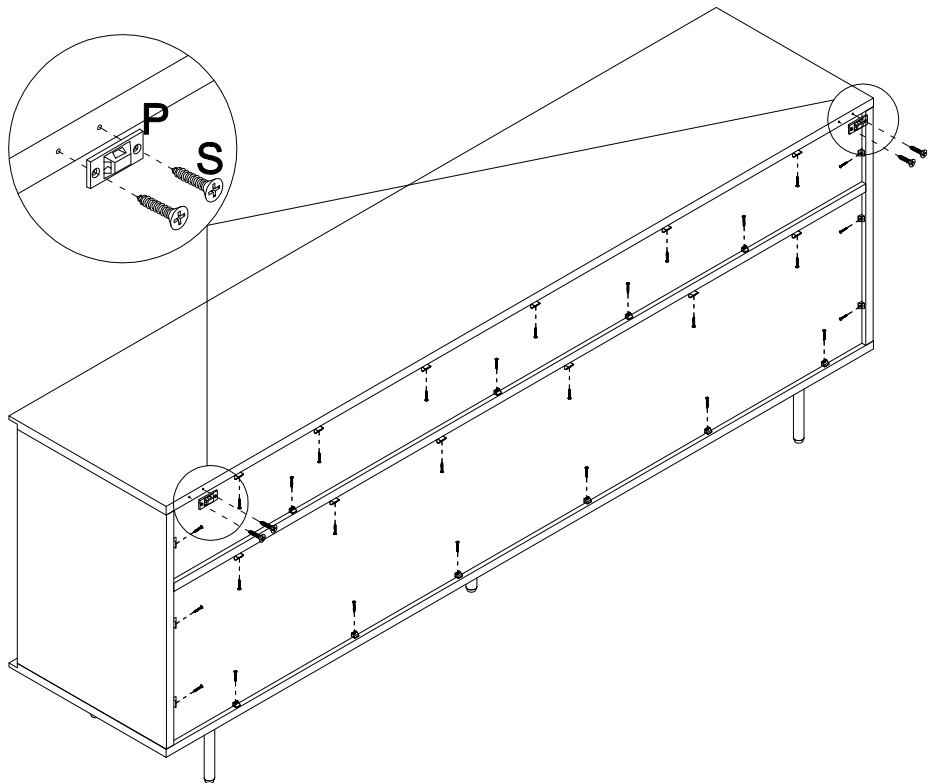




15

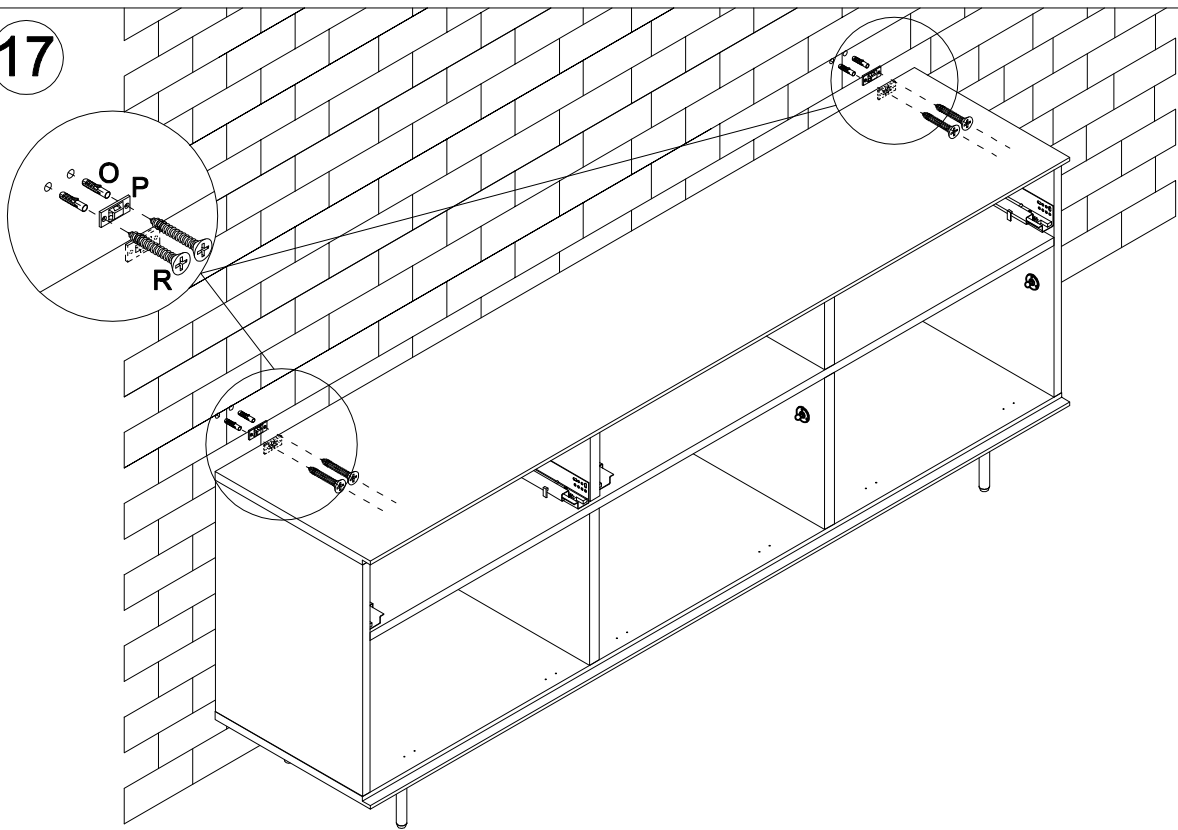


16

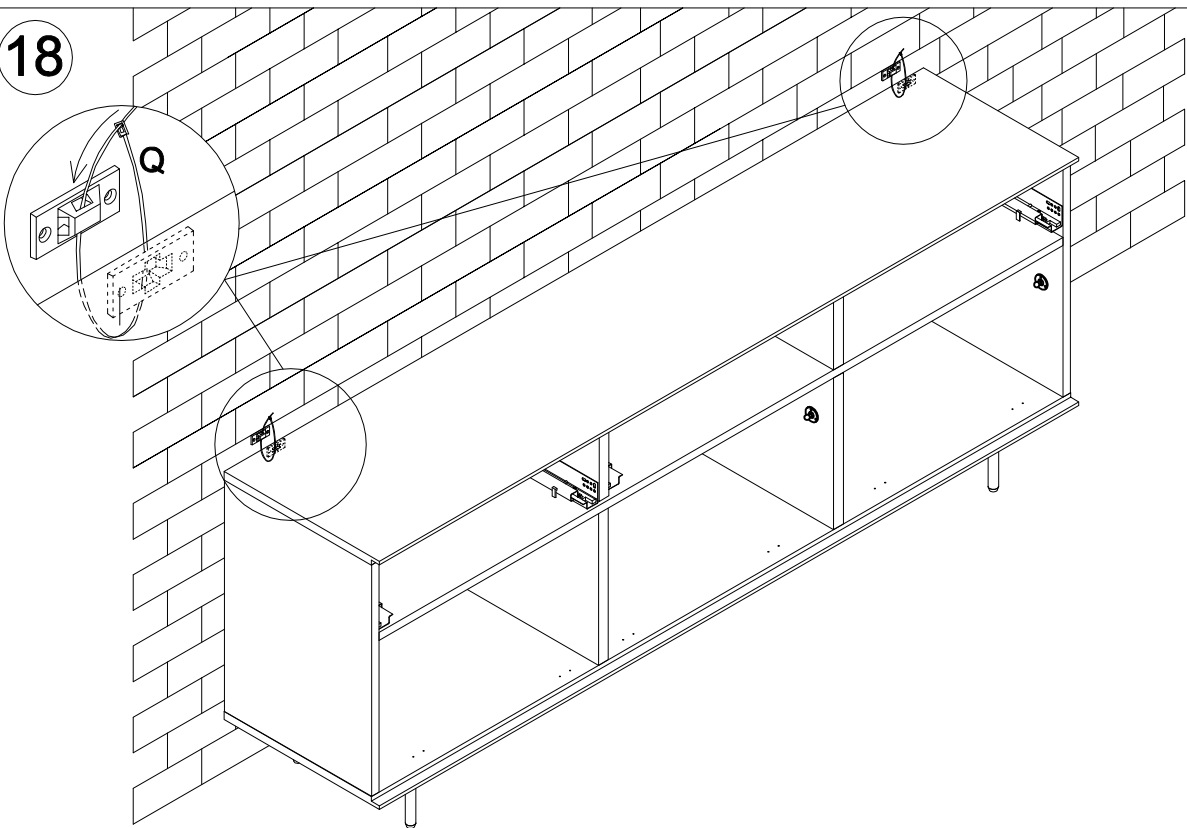


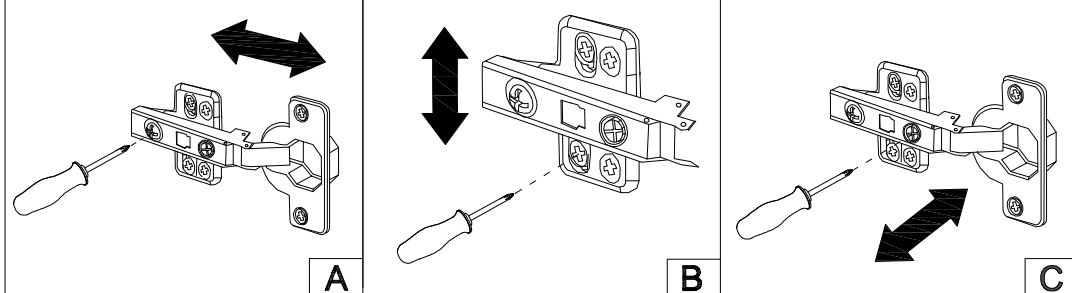
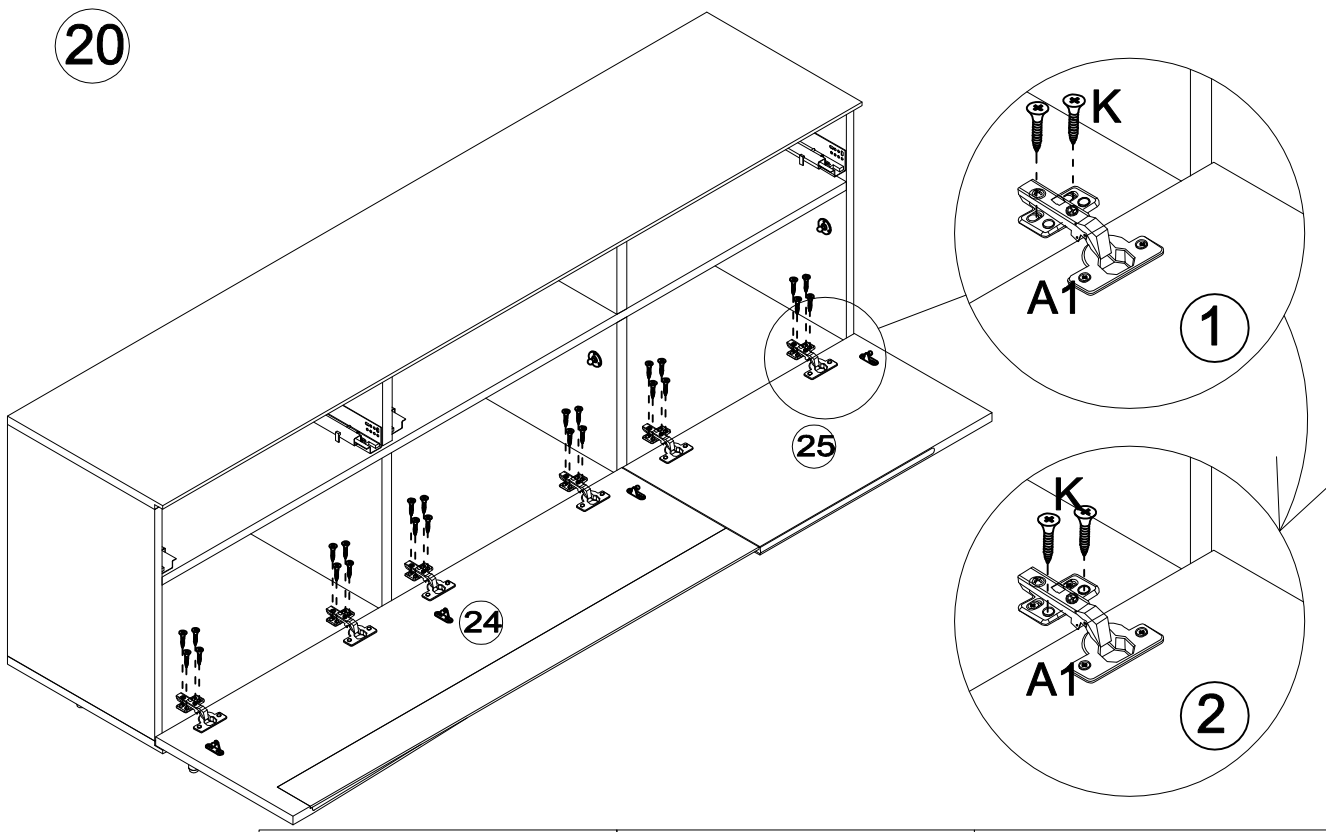
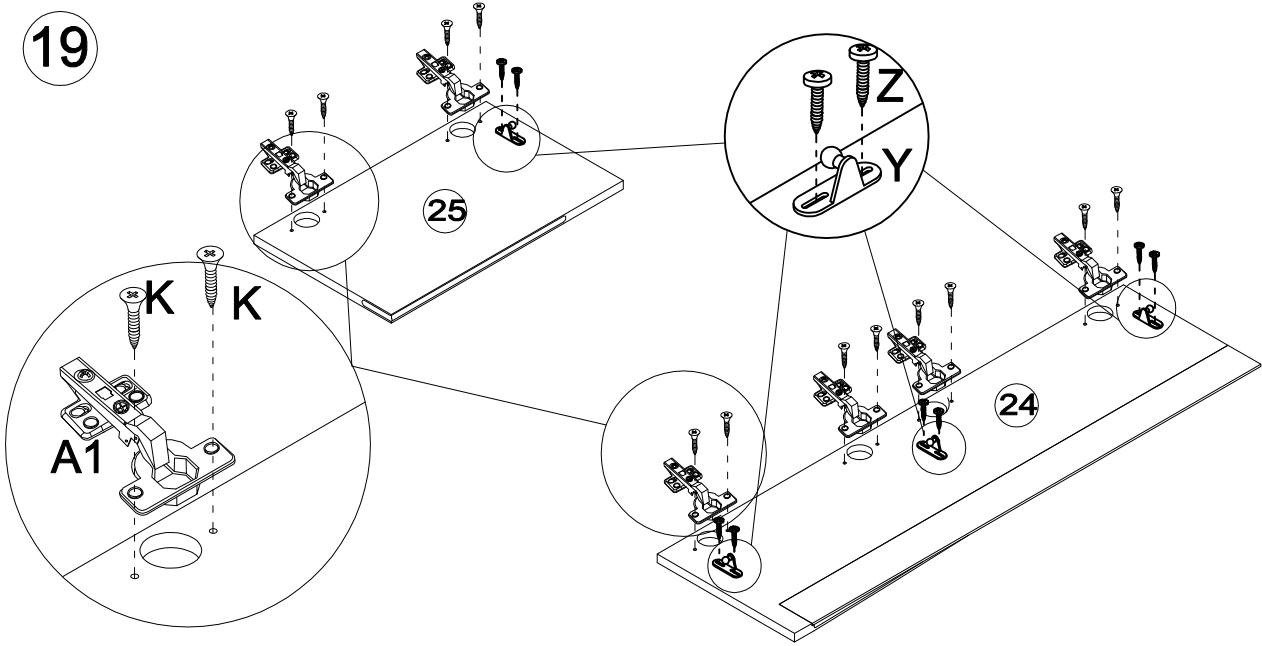


17



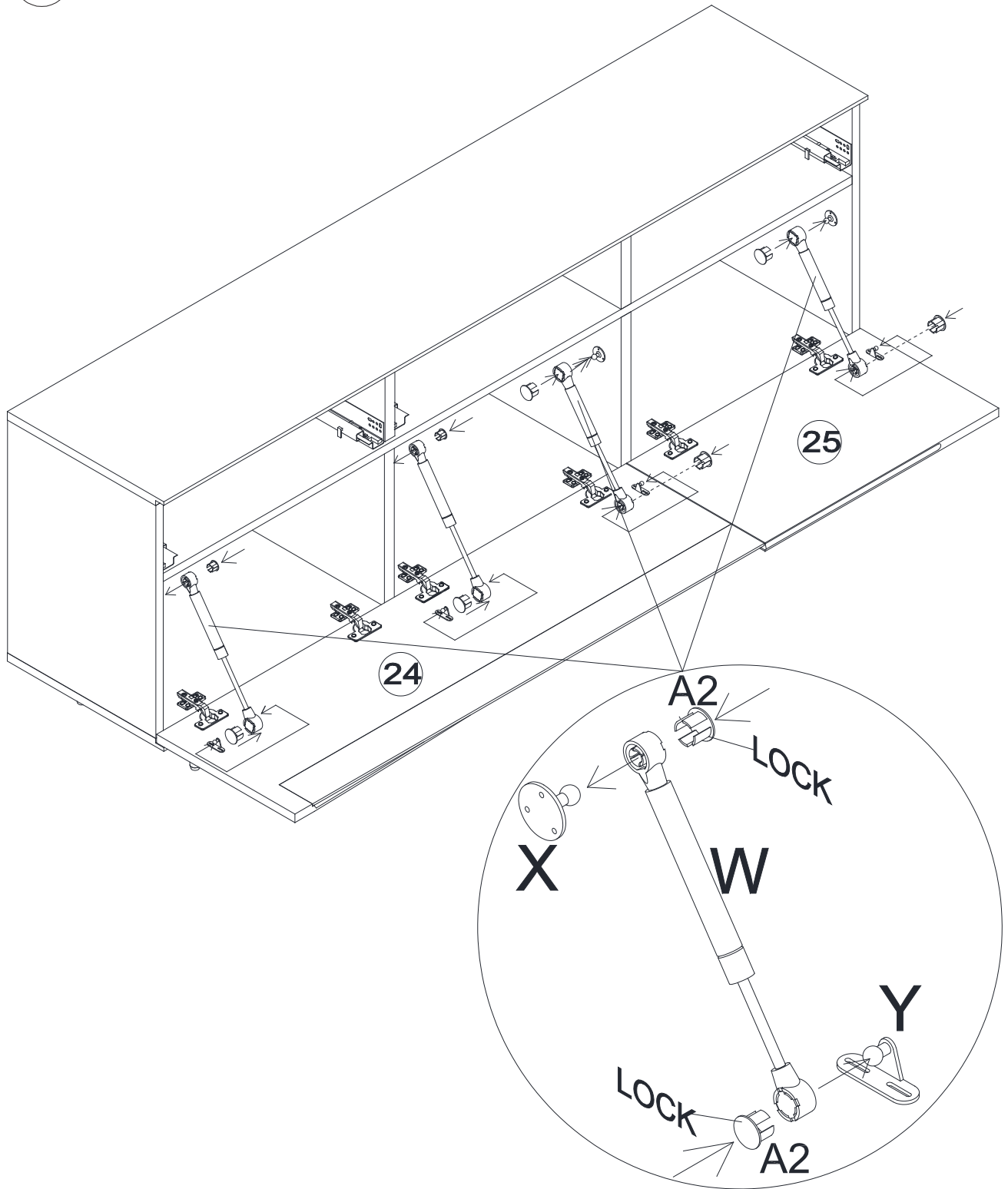
18





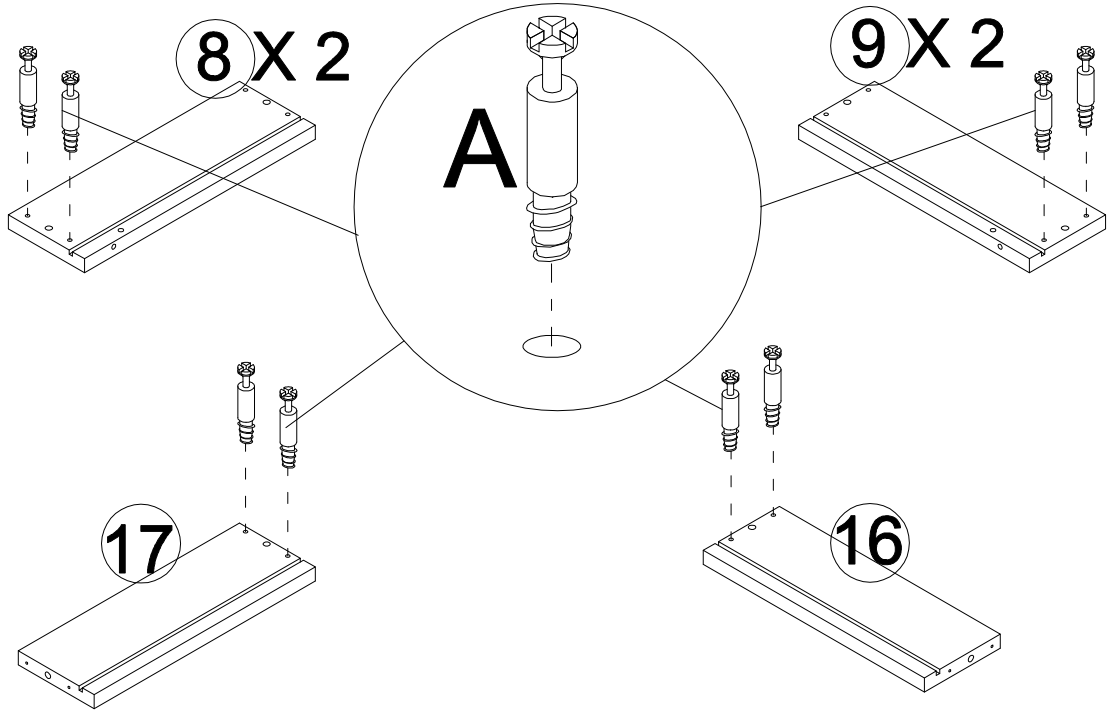


21

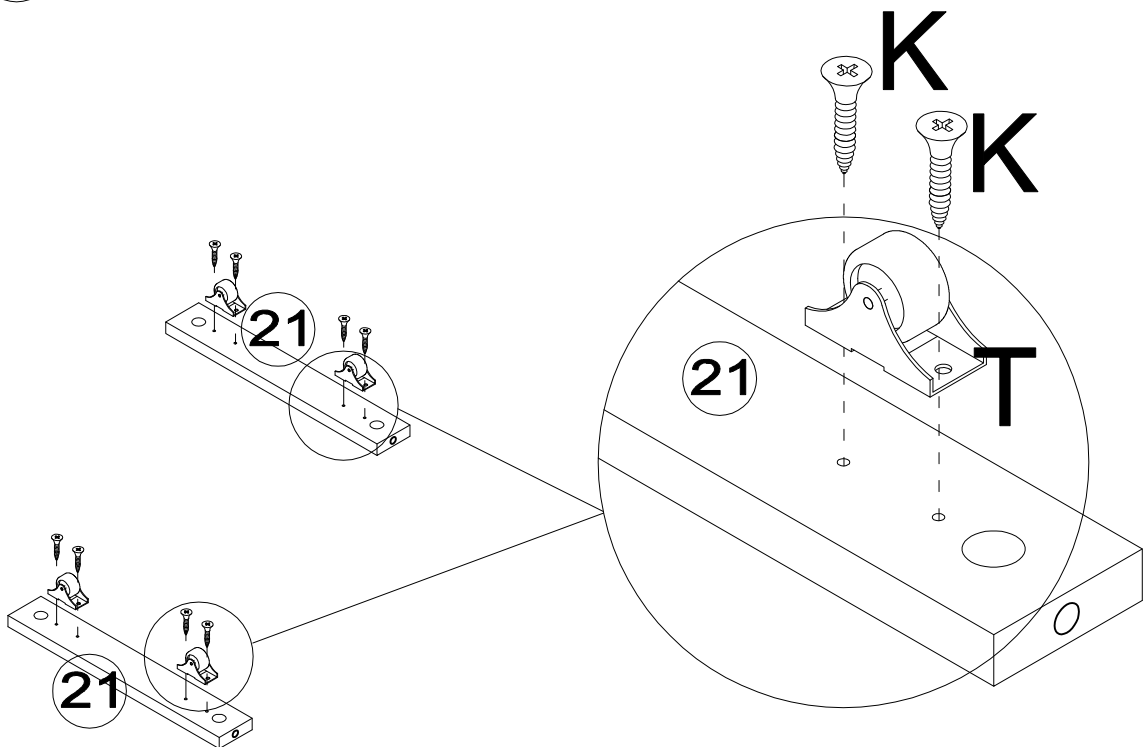




22

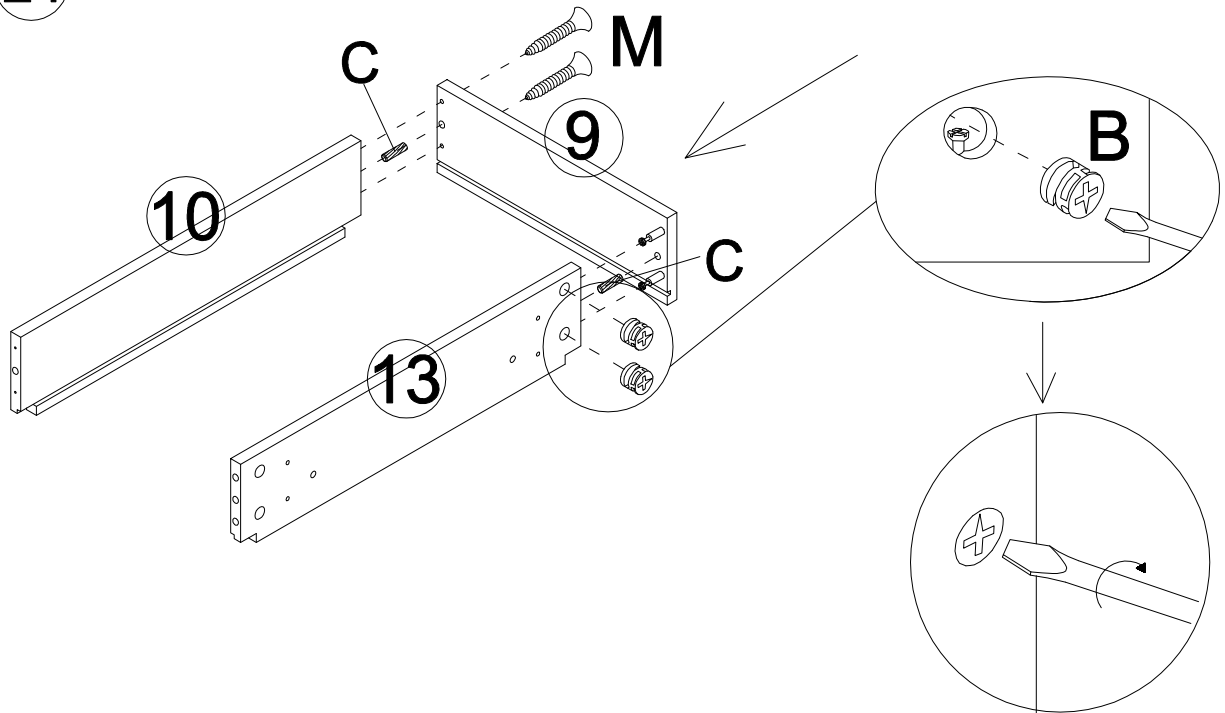


23

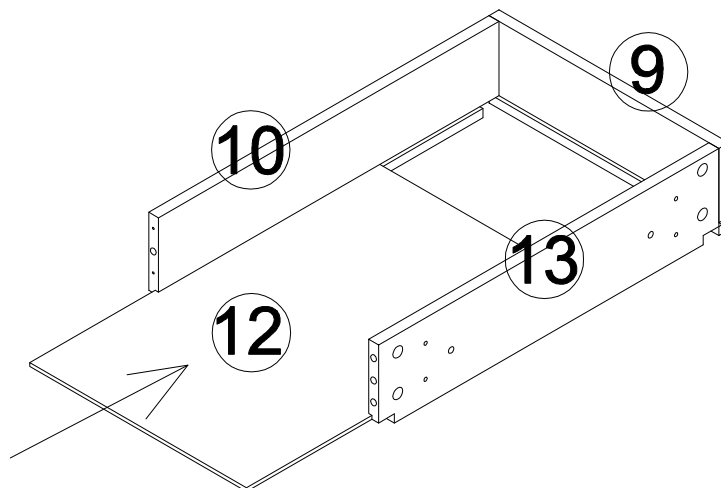




24

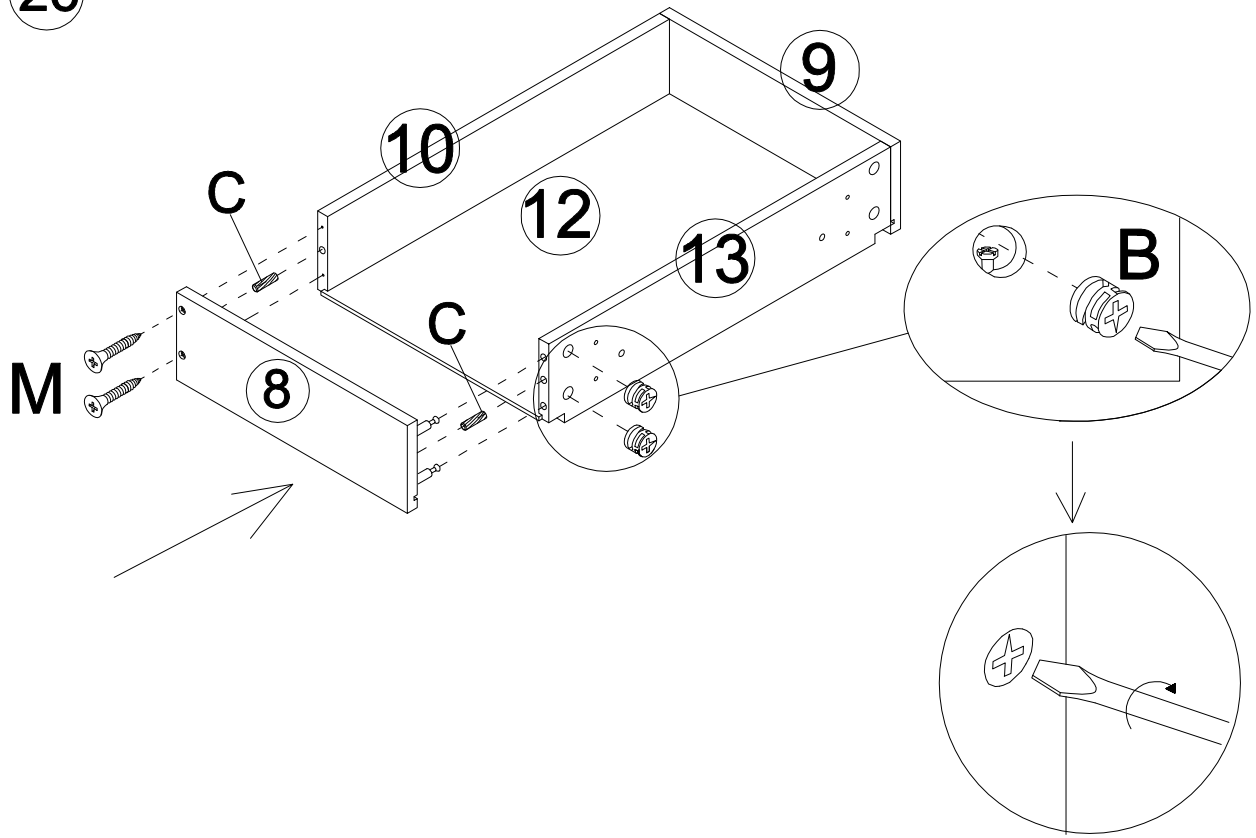


25

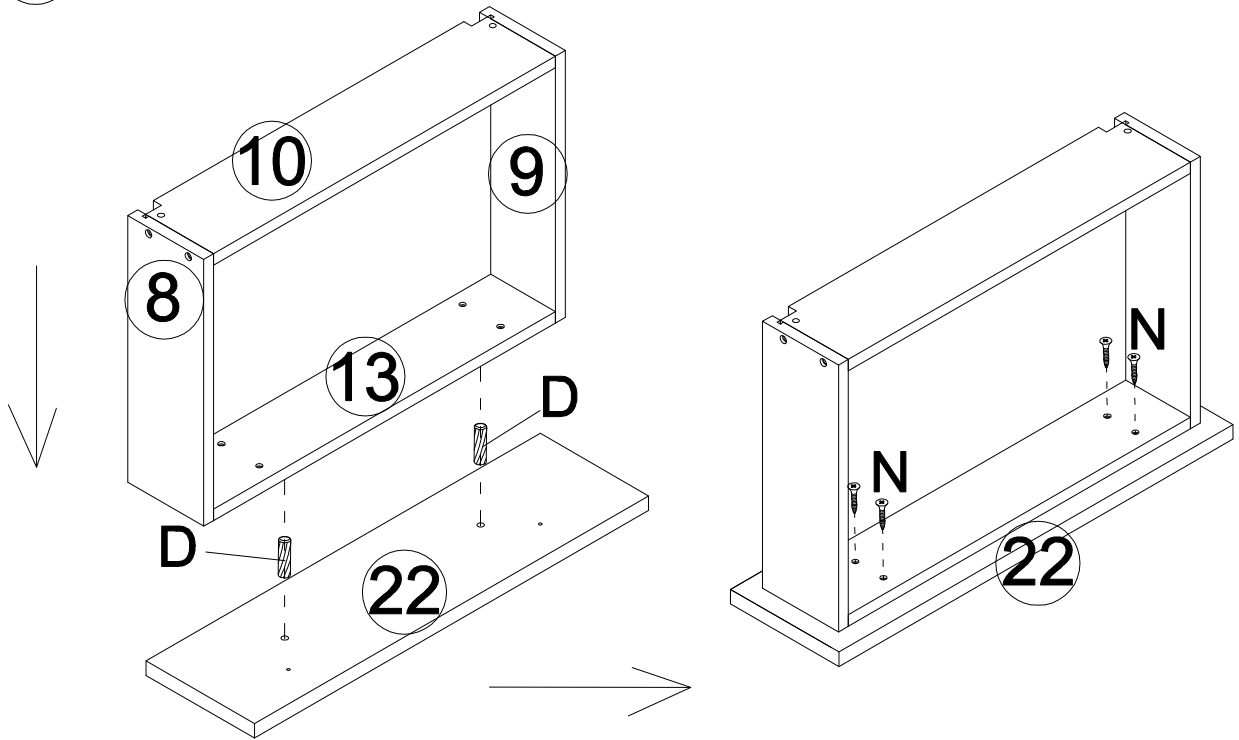




26

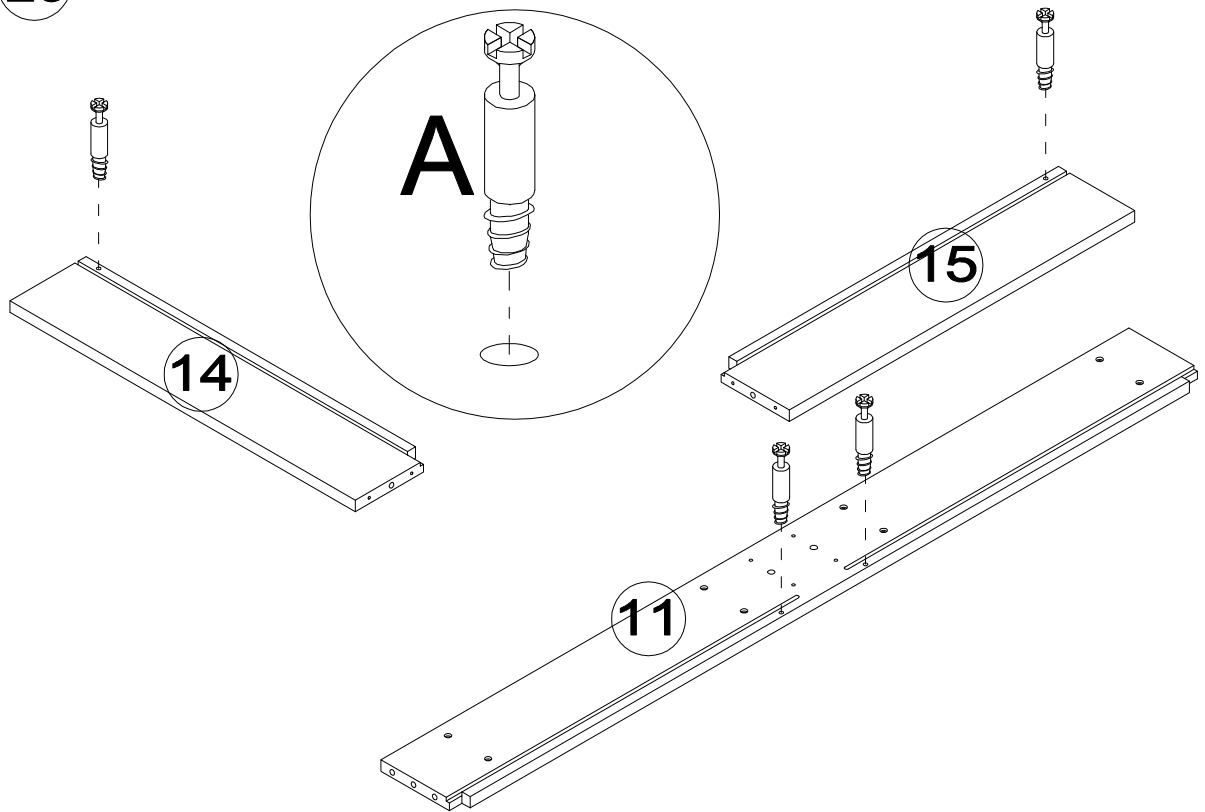


27

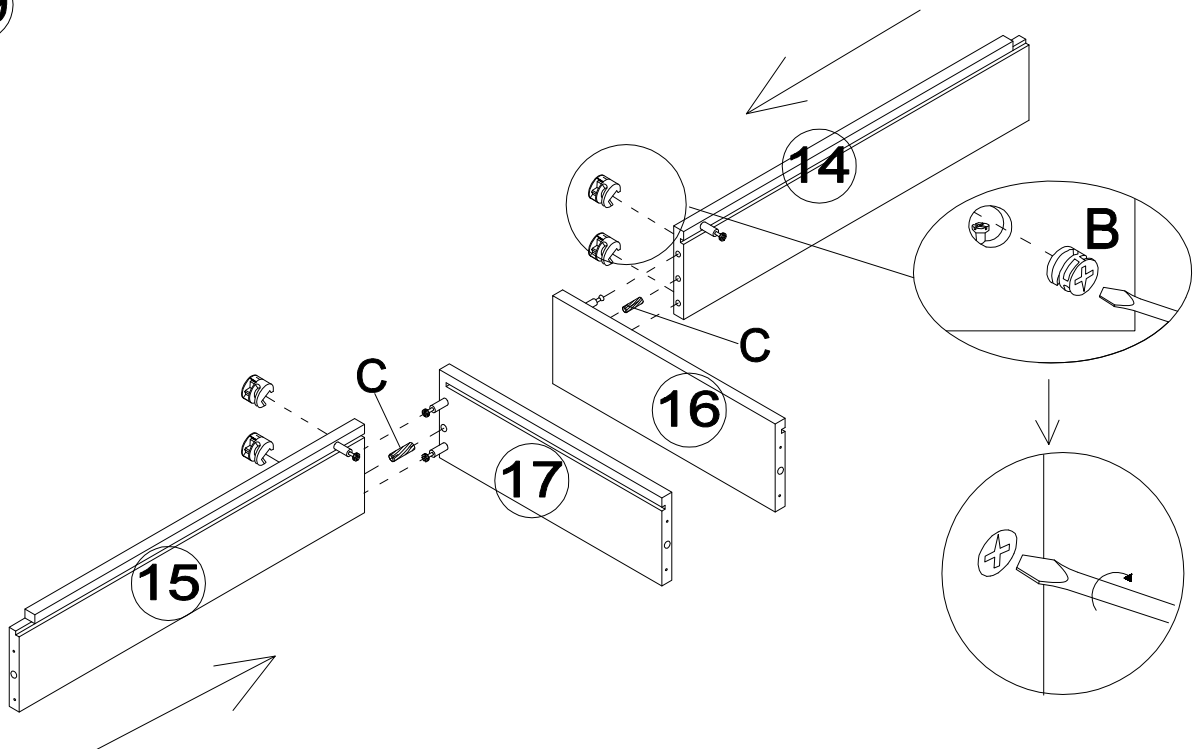




28

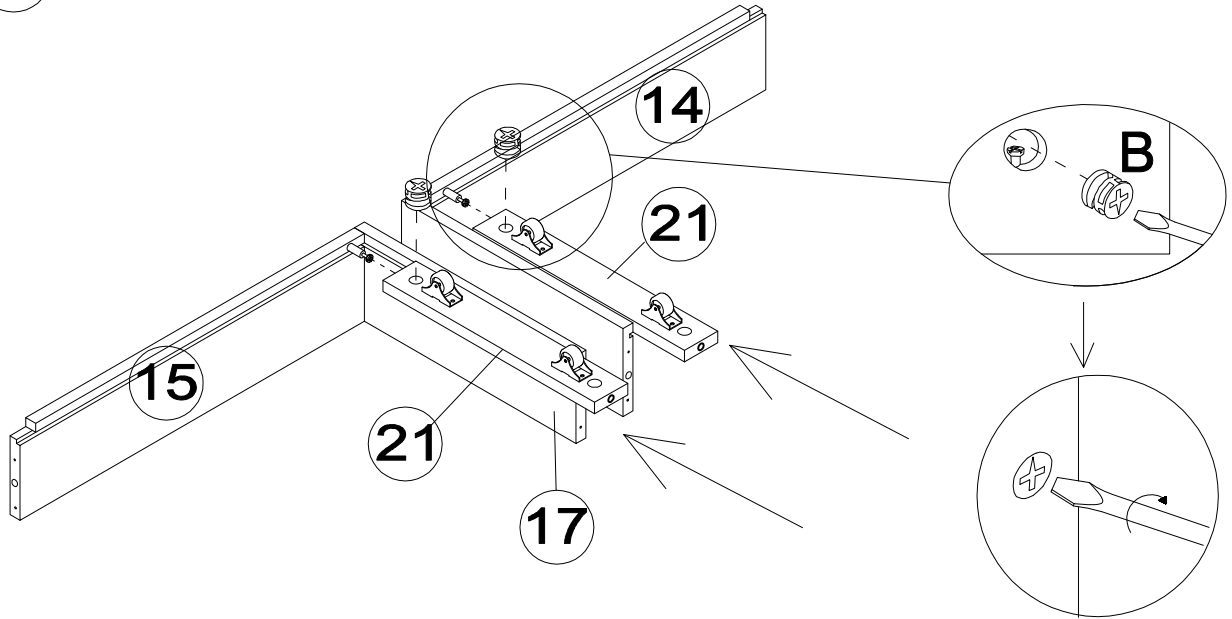


29

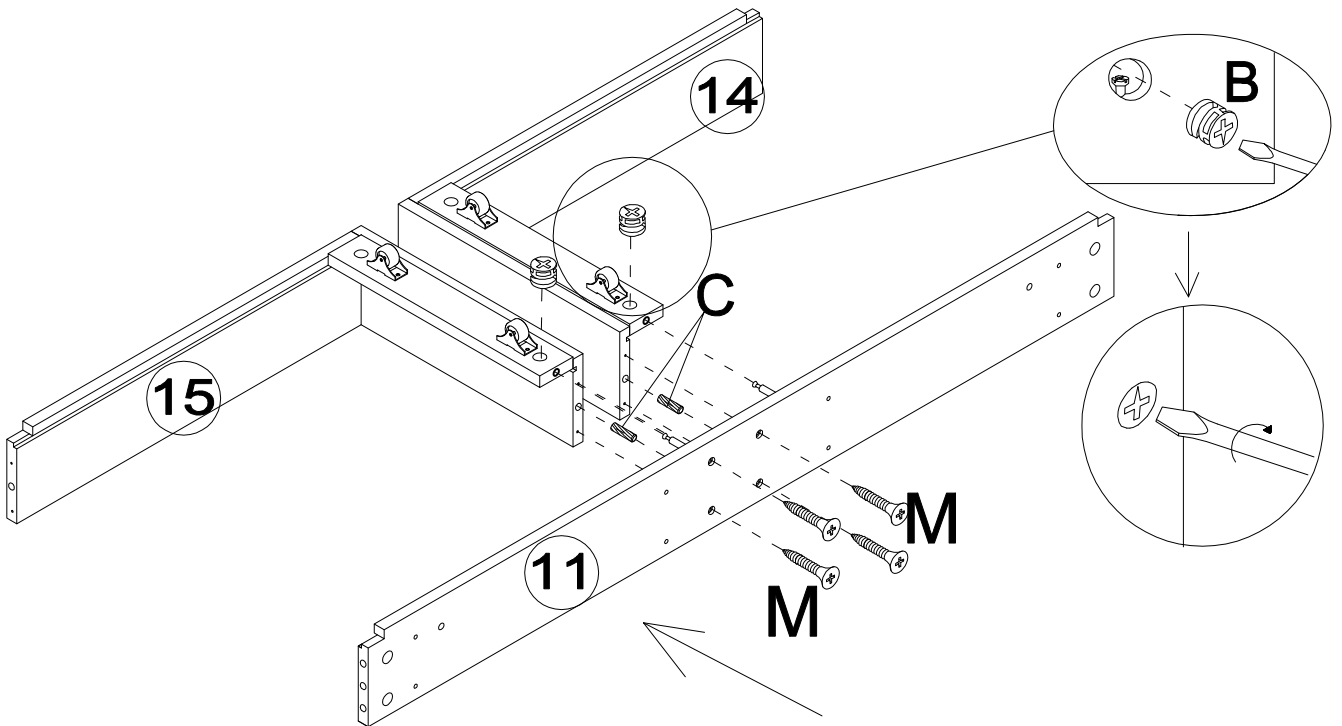




30

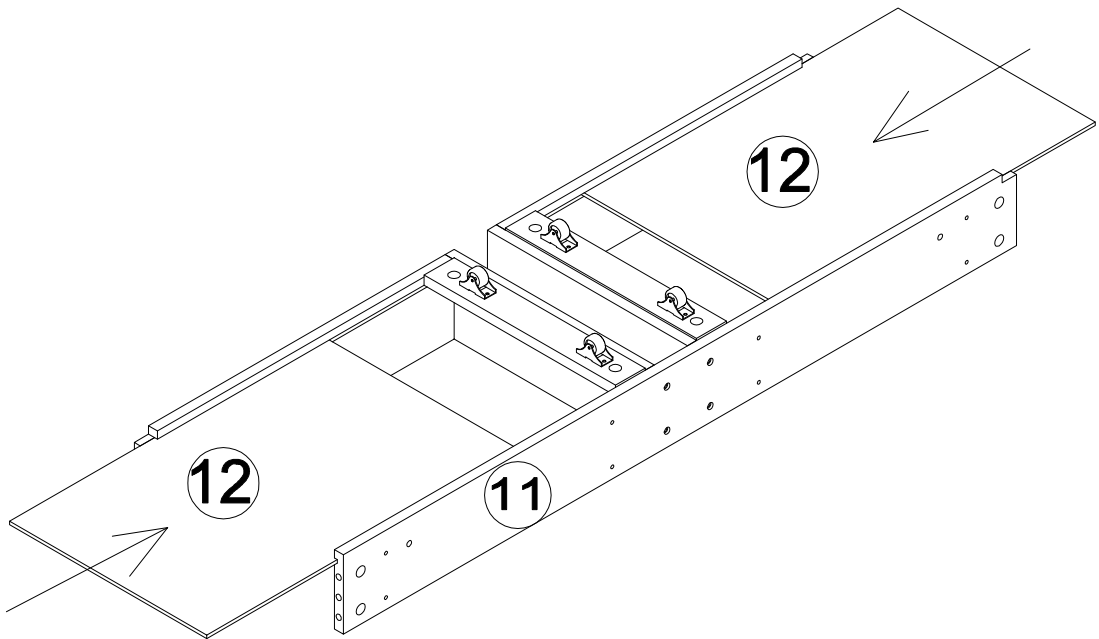


31

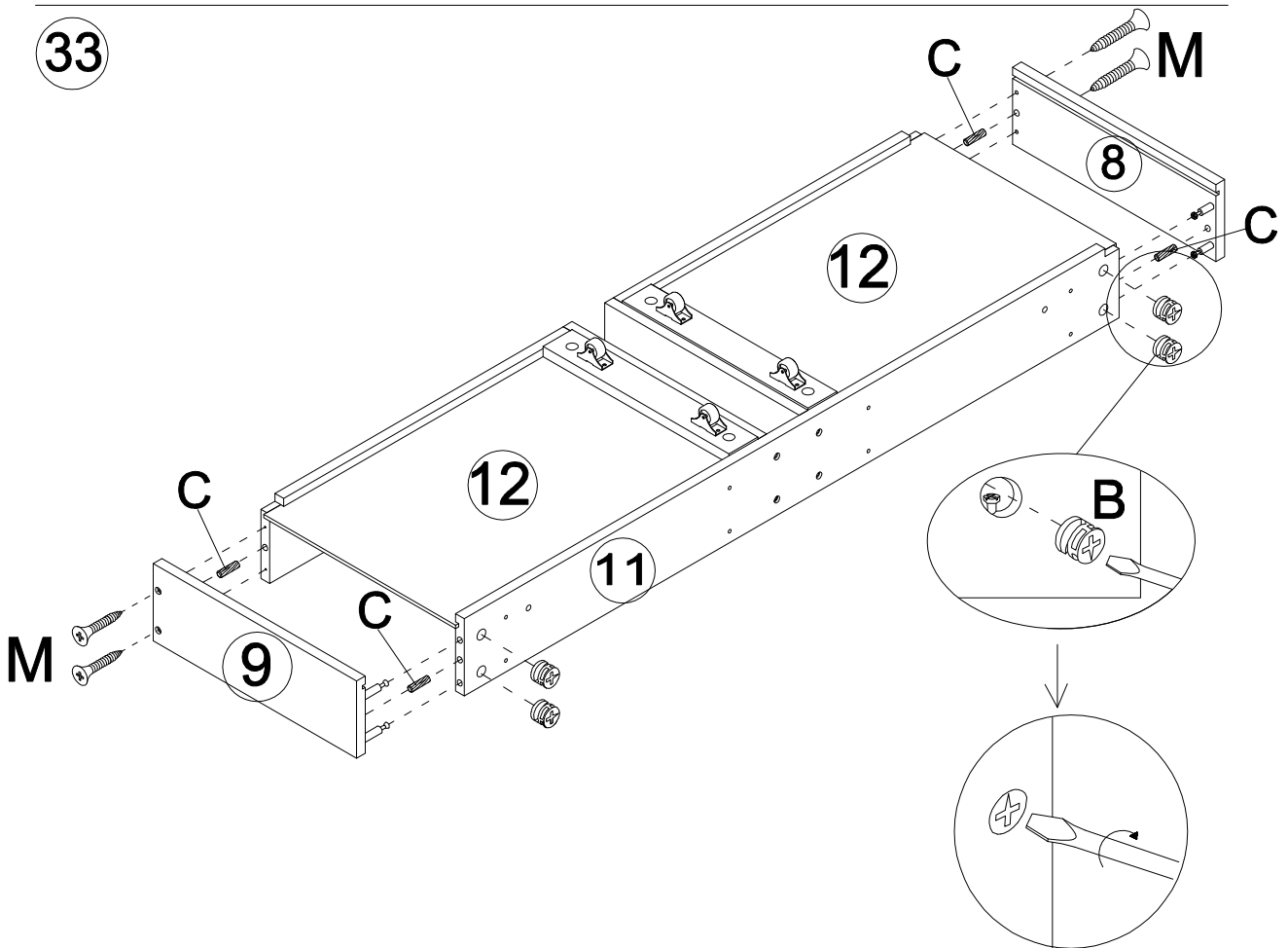




32

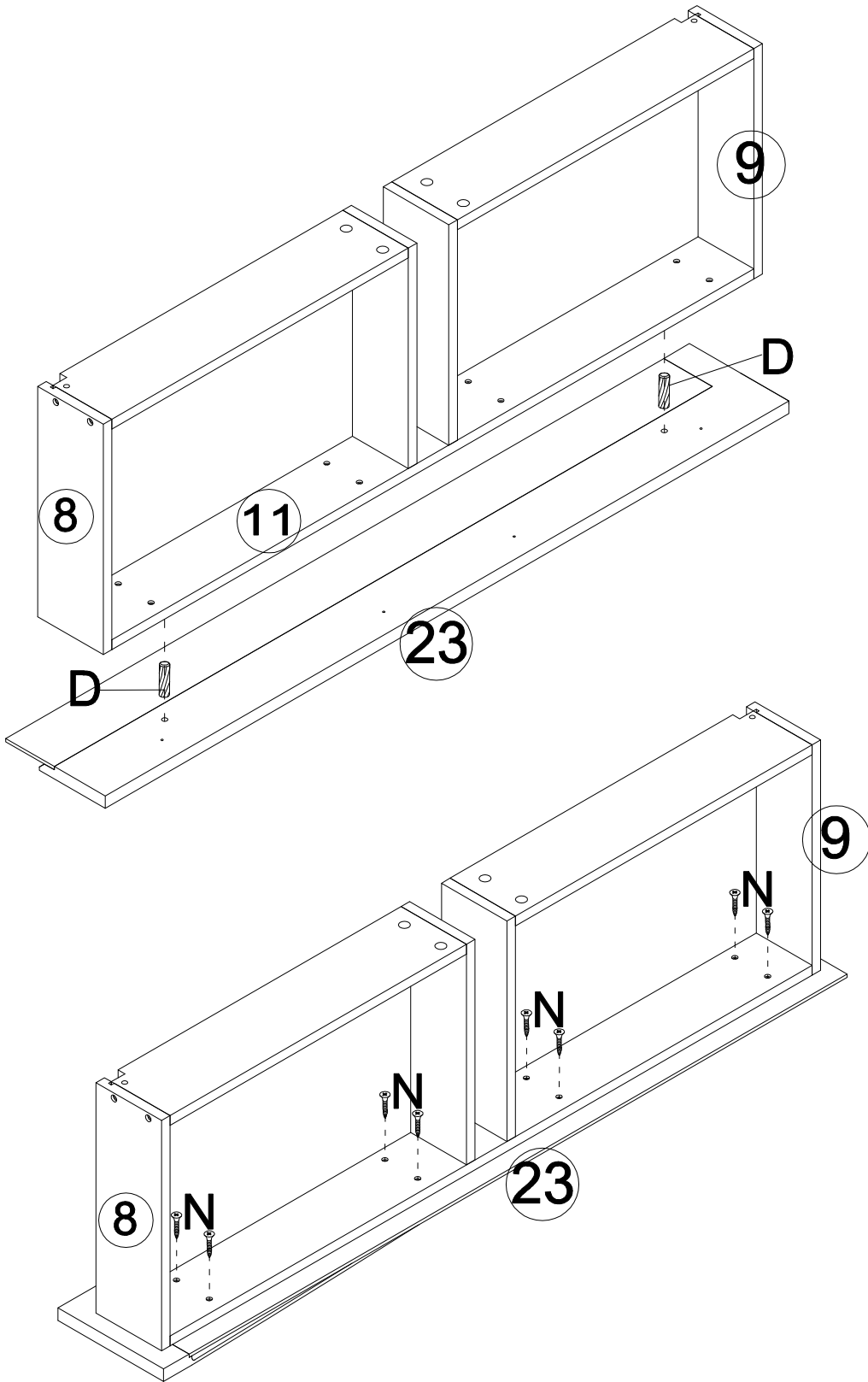


33



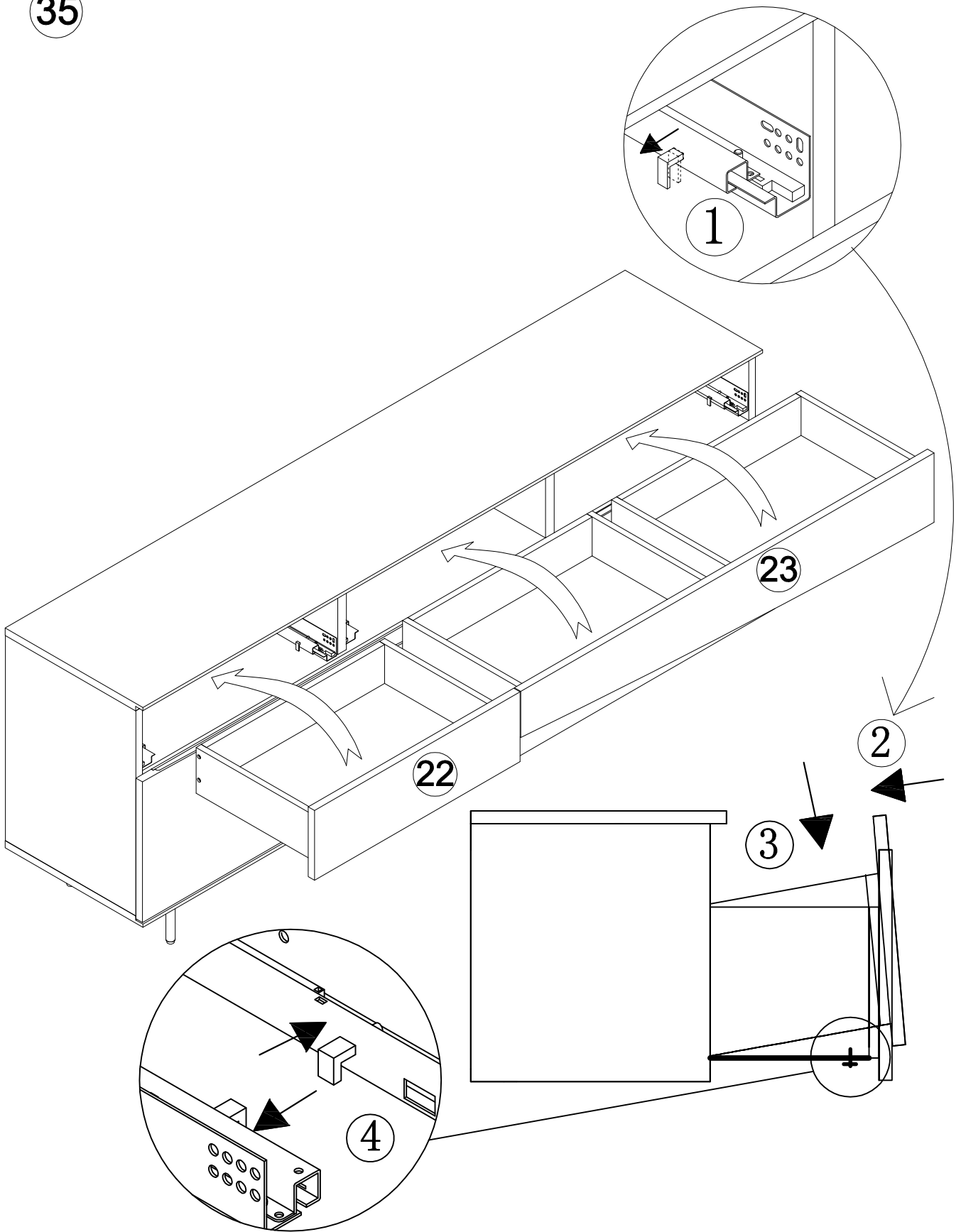


34



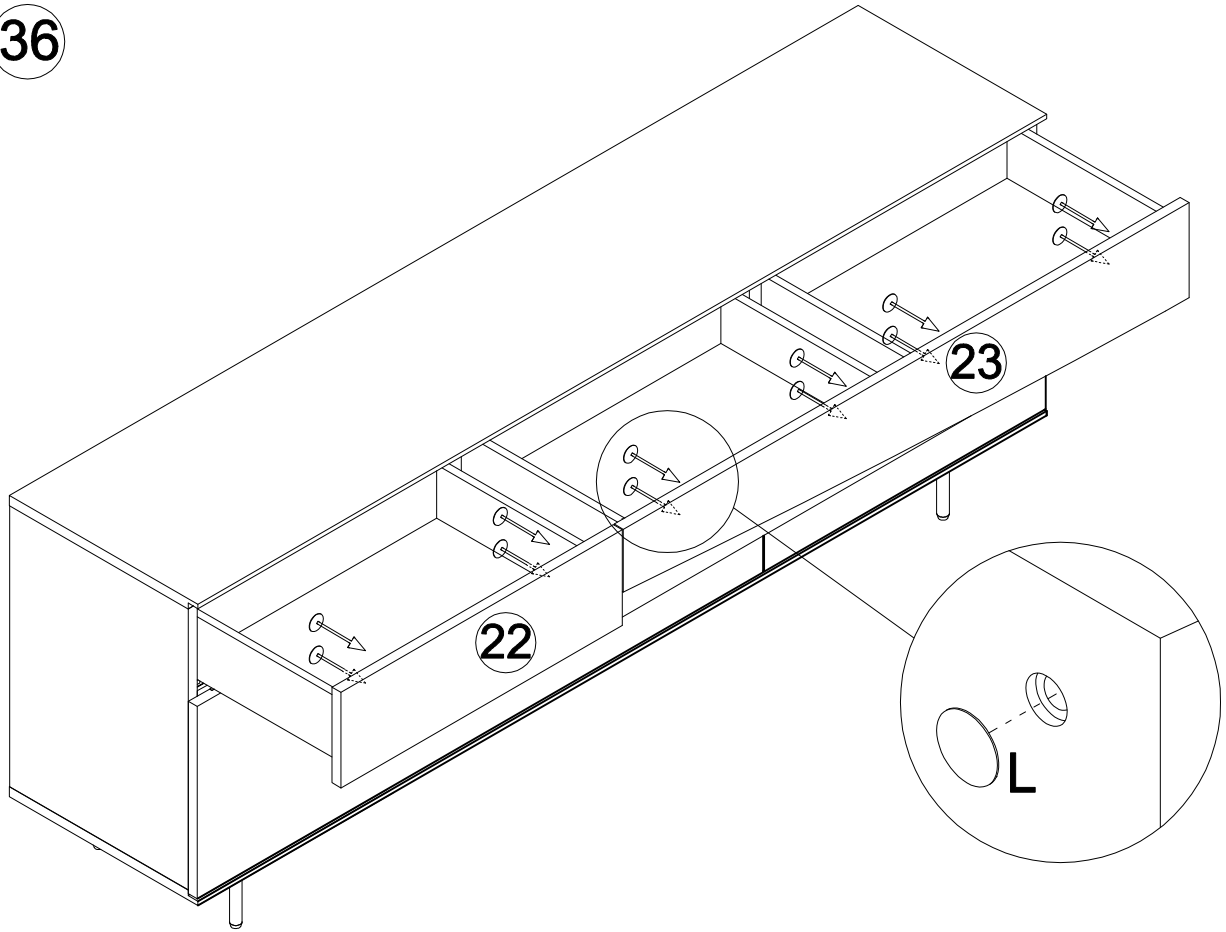


35

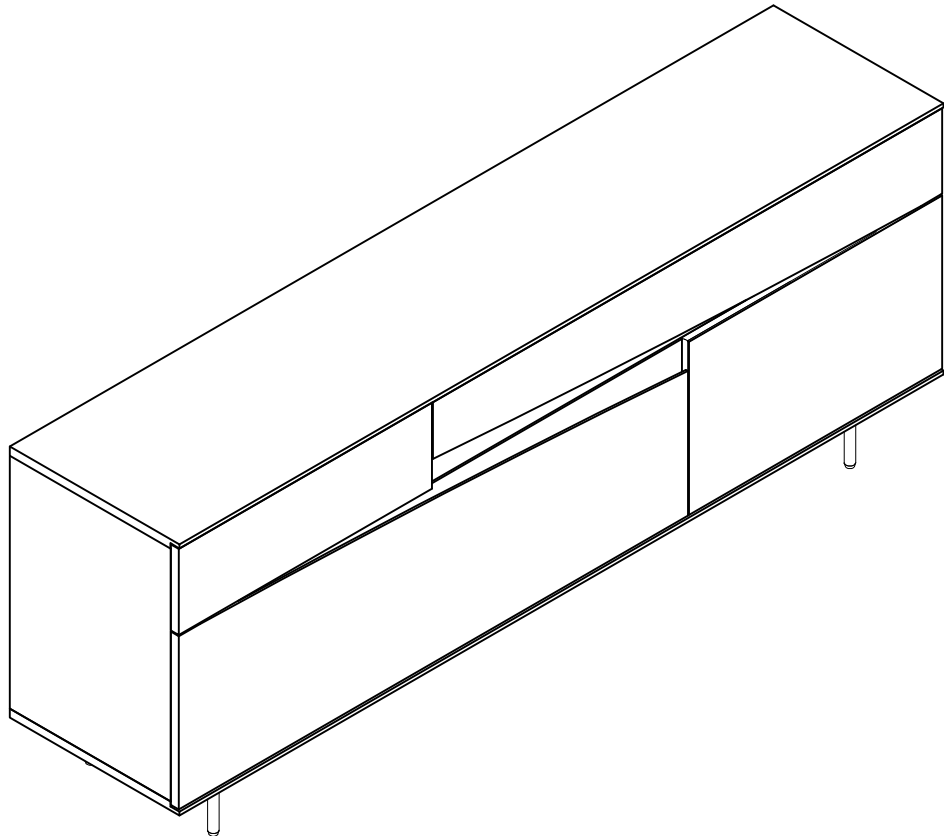




36



37







THAT'S ALL FOLKS!

JULIÀ GRUP Furniture Solutions S.L.

B-17616277

Pol. Ind. Bosc d'en Cuca

C / Tallers, 14

17410 Siis SPAIN

contact@kavehome.com