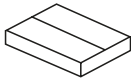


Kave® Cares



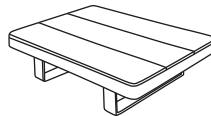
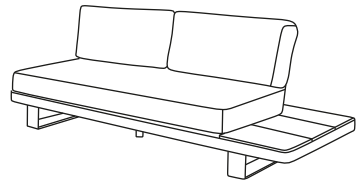
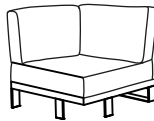
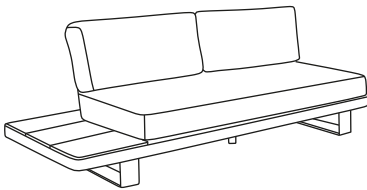
30 min

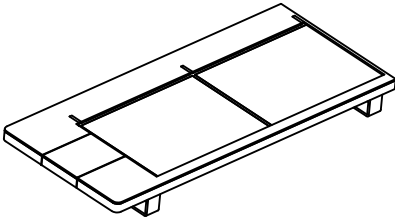


x4

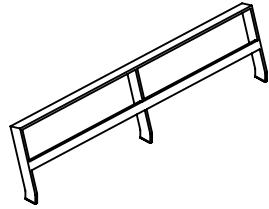


x2

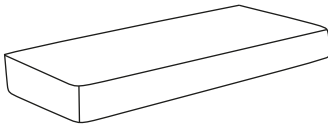




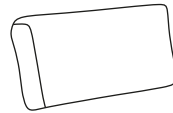
A x1



B x1



C x1



D x2



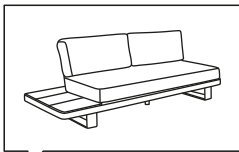
E x3
M6x20mm



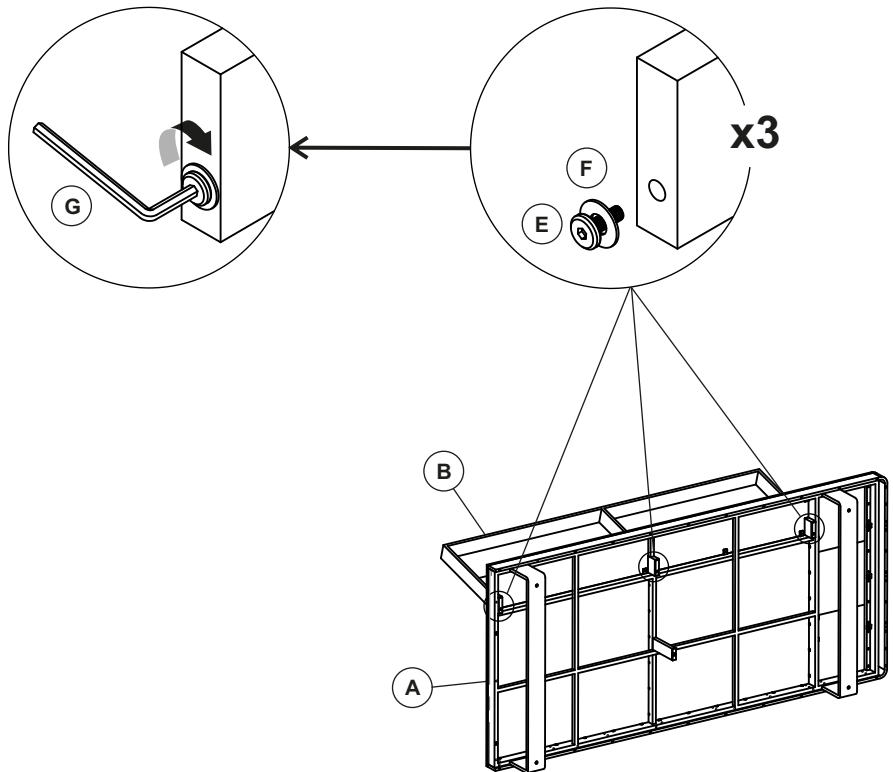
F x3
M6x16mm



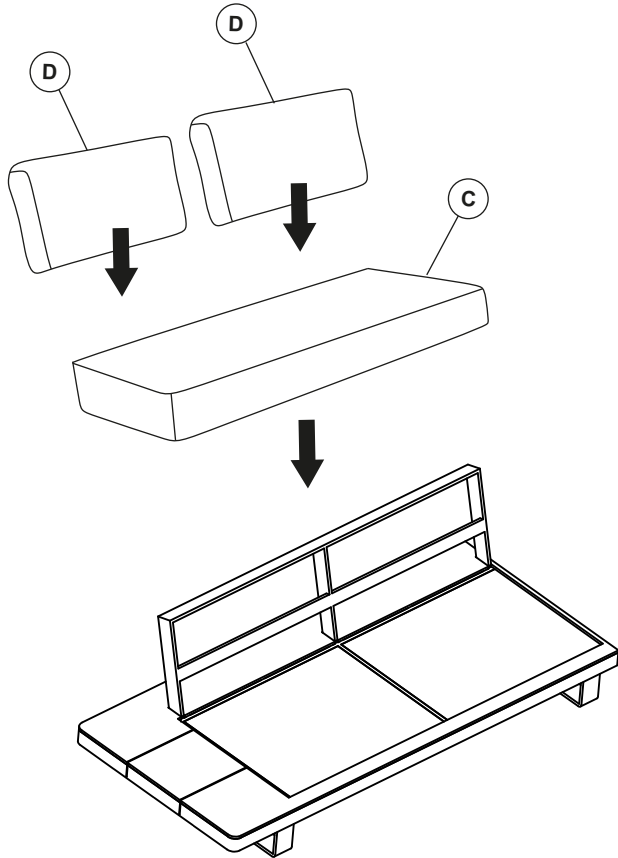
G x1

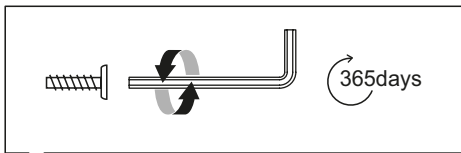
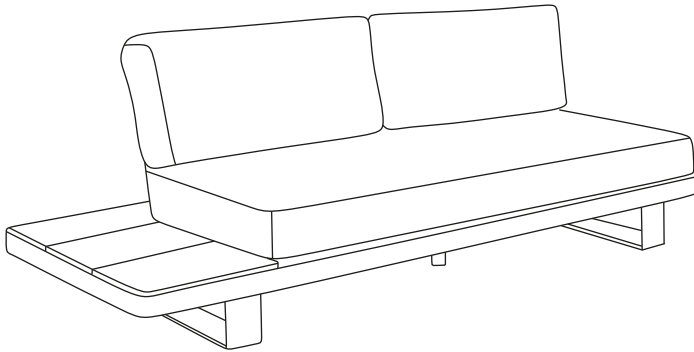


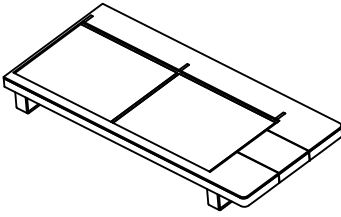
1



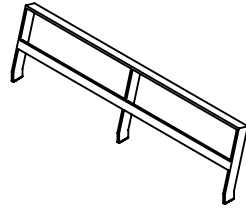
2



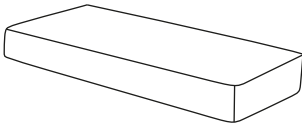




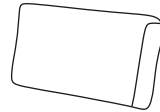
A x1



B x1



C x1



D x2



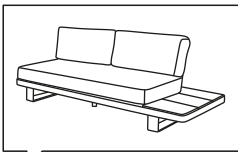
E x3
M6x20mm



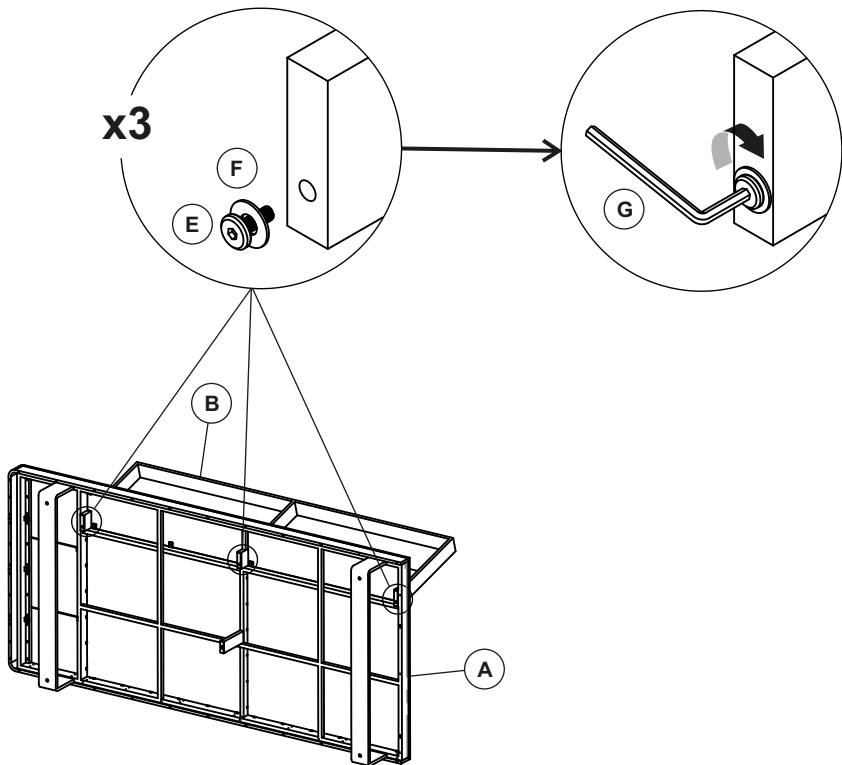
F x3
M6x16mm



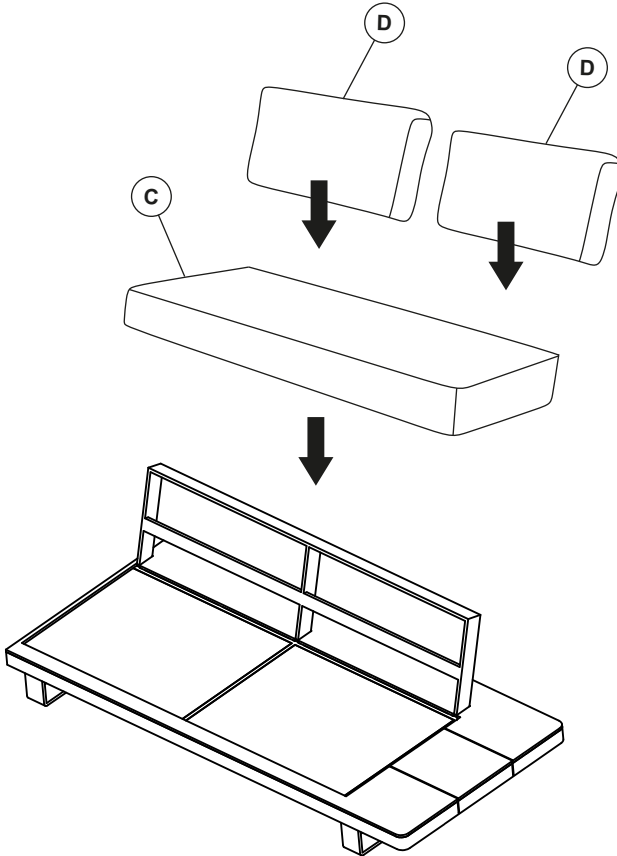
G x1

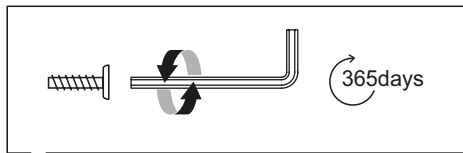
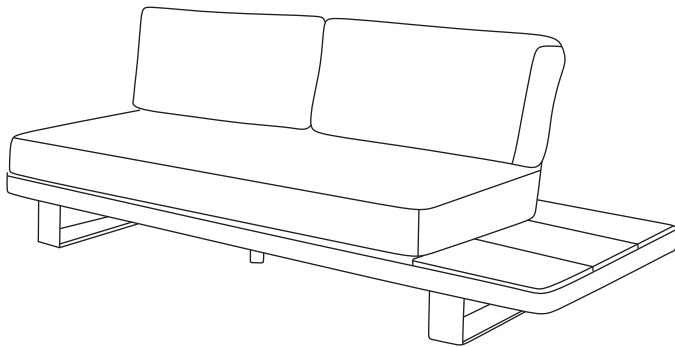


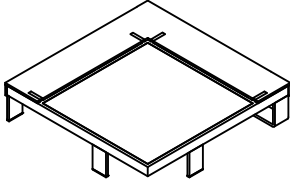
1



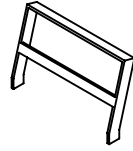
2



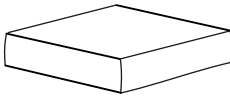




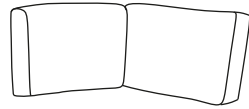
A x1



B x2



C x1



D x1



E x4
M6x20mm



F x4
M6x16mm



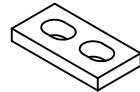
G x1



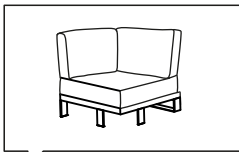
H x8
M8x20mm



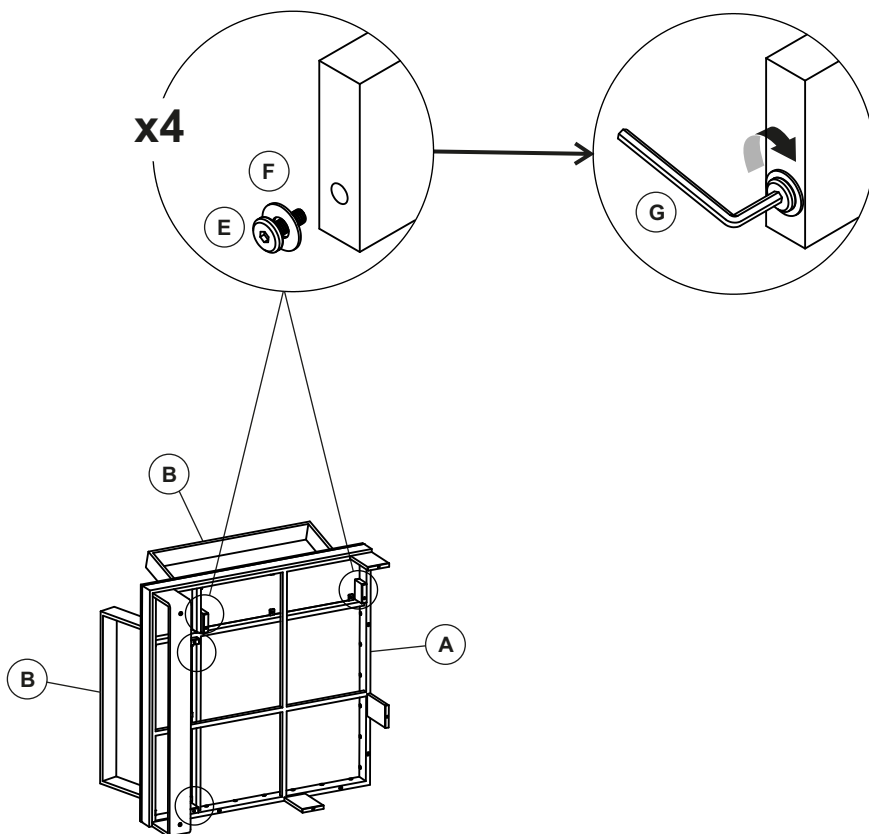
I x8
M8x19mm



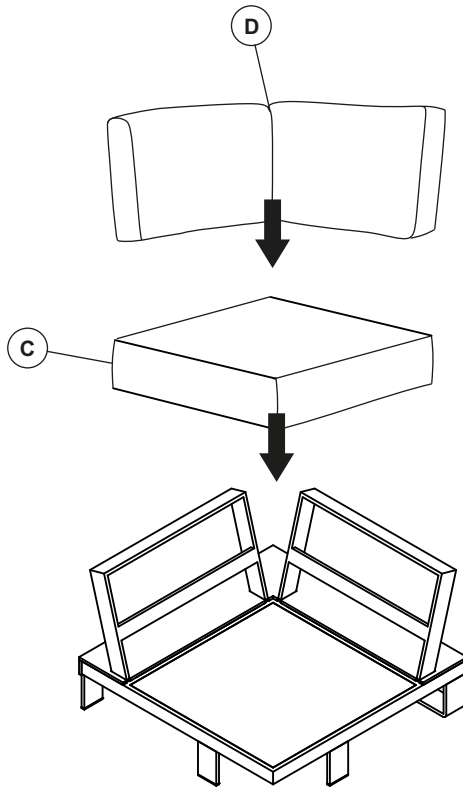
J x4
45x20x5mm

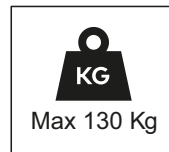
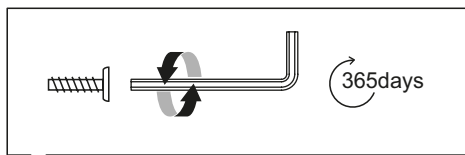
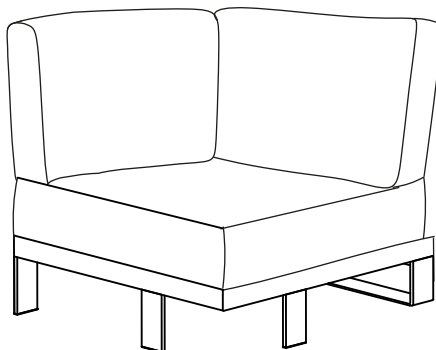


1

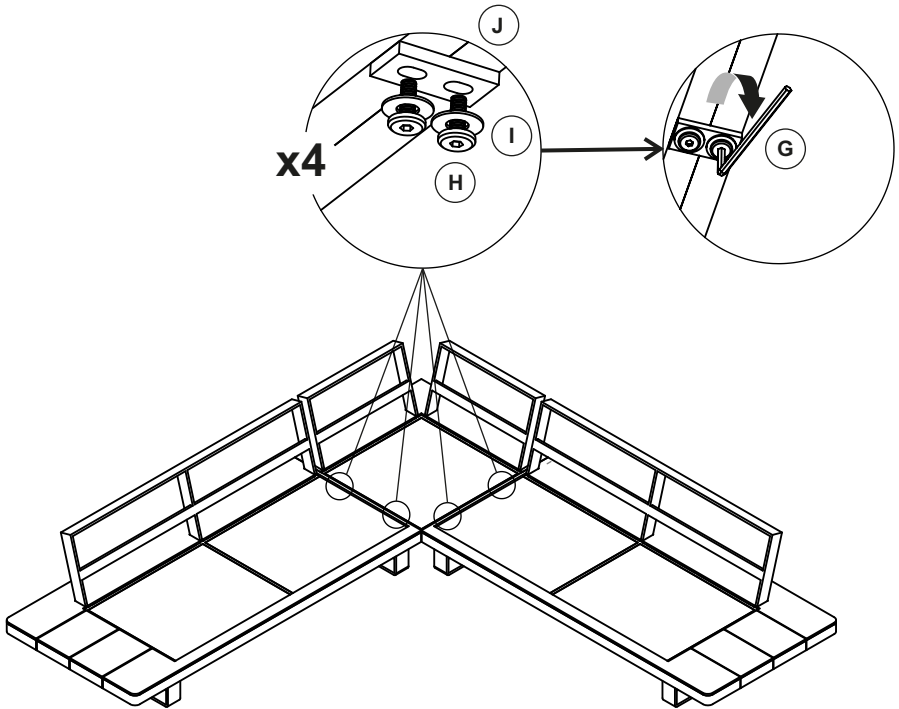
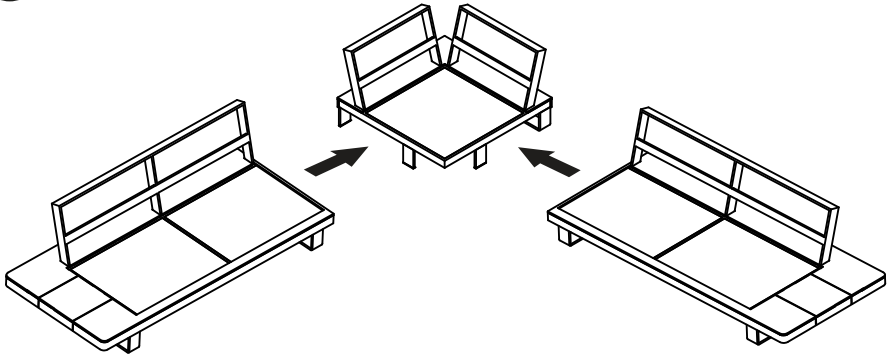


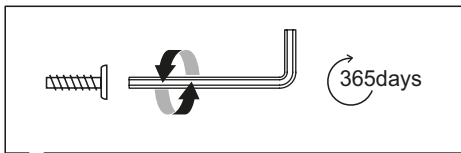
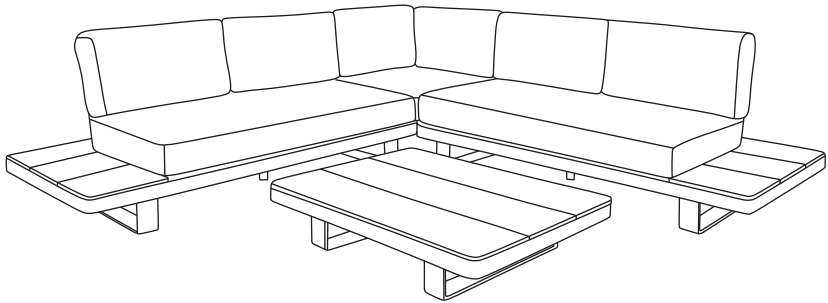
2





3







THAT'S ALL FOLKS

Share your style!

#KaveHome

